



# JZC-32F



18.4×10.2×15.4

 us E160644 
  R50126380  
 13002098873

## Features

- 5A、10A switching capabilities.
- SPSTNO and SPDT(B-M) configurations.
- Subminiature, standard PC layout.

## Ordering Information

**JZC-32F** C S 10 DC12V 0.2

1      2    3    4      5      6

1 Part number: JZC-32F  
 2 Contact arrangement: A:1AJC:1C  
 3 Enclosure:S: Wash tight JZ: Flux proof

4 Contact current: 05:5A; 10:10A  
 5 Coil rated voltage (V): DC:3,5,6,9,12,18,24  
 6 Coil power: 0.2:0.2W; 0.45:0.45W

## Contact Data

Contact Arrangement	1A (SPSTNO) 1C (SPDT (B-M))	
Contact Material	Ag Alloy	
Contact Rating (Resistive)	5A/250VAC,28VDC;10A/125VAC;4.2A/277VAC Motor load:1/4HP 277VAC,250VAC,240VAC,120VAC TV-5 120VAC	
Max. Switching Power	150W	1250VA
Max. Switching Voltage	30VDC	277VAC
Contact Resistance	≤ 100mΩ	Max.Switching Current:10A
Operational Life	Electrical	1×10 <sup>5</sup> Item 4.12 of IEC 61810-7
	Mechanical	1×10 <sup>7</sup> Item 4.30 of IEC 61810-7

**CAUTION:** 1.For the intermediate current, it only applies to the room temperature.

## Coil Parameter

Dash numbers	Coil voltage VDC		Coil resistance Ω ± 10%	Pick-up voltage VDC (max) (75% of rated voltage)	Drop-out voltage VDC (min) (5% of rated voltage)	Coil power W	Operate time ms	Release time ms
	Rated	Max						
003-200	3	3.9	45	2.25	0.15	0.20	≤8	≤5
005-200	5	6.5	125	3.75	0.25			
006-200	6	7.8	180	4.50	0.30			
009-200	9	11.7	405	6.75	0.45			
012-200	12	15.6	720	9.00	0.60			
018-200	18	23.4	1620	13.5	0.90			
024-200	24	31.2	2880	18.0	1.20			
003-450	3	3.9	20	2.25	0.15	0.45	≤8	≤5
005-450	5	6.5	56	3.75	0.25			
006-450	6	7.8	80	4.50	0.30			
009-450	9	11.7	180	6.75	0.45			
012-450	12	15.6	320	9.00	0.60			
018-450	18	23.4	720	13.5	0.90			
024-450	24	31.2	1280	18.0	1.20			

**CAUTION:** 1.The use of any coil voltage less than the rated coil voltage will compromise the operation of the relay.  
 2.Pickup and release voltage are for test purposes only and are not to be used as design criteria.

### Characteristics

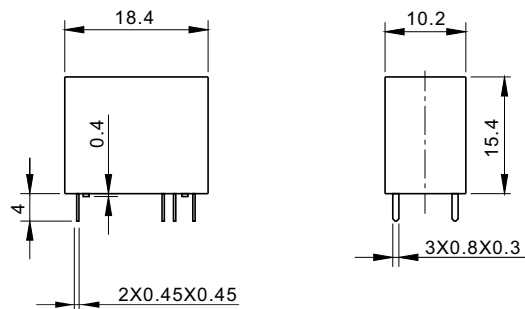
Insulation Resistance	100M $\Omega$ min (at 500VDC)	Item 4.11 of IEC 61810-7
Dielectric Strength Between Contacts	50Hz 1000V	Item 4.9 of IEC 61810-7
Between Contact and Coil	50Hz 2500V	Item 4.9 of IEC 61810-7
Shock Resistance	98m/s <sup>2</sup> 11ms	Item 4.26 of IEC 61810-7
Vibration Resistance	10Hz~55Hz Double amplitude 1.5mm	Item 4.28 of IEC 61810-7
Terminals Strength	5N	Item 4.24 of IEC 61810-7
Ambient Temperature	-40 $^{\circ}$ C~85 $^{\circ}$ C	
Relative Humidity	5% to 85%	Item 4.16 of IEC 61810-7
Mass	6g	Item 4.7 of IEC 61810-7

### Safety Approvals

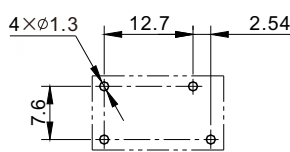
Safety approval	UL & CUR	TUV	CQC
Load	10A/125VAC 5A/250VAC 4.2A/277VAC TV-5 120VAC 1/4HP/277VAC 250VAC 240VAC 120VAC	5A/250VAC,28VDC	5A/250VAC

### Dimensions

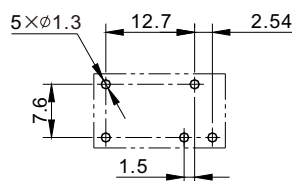
mm



Dimensions

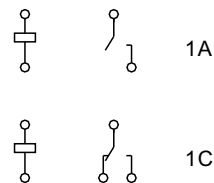


1A



1C

Mounting (Bottom view)



Wiring diagram  
(Bottom view)

**CAUTION:** In case of no tolerance shown in outline dimension: outline dimension  $\leq 1$ mm, tolerance should be  $\pm 0.2$ mm ; outline dimension  $> 1$ mm and  $\leq 5$ mm, tolerance should be  $\pm 0.3$ mm; outline dimension  $> 5$ mm, tolerance should be  $\pm 0.4$ mm.