



36×25.7×21.5

NVFS

Features

- Small size and light weight.
- Heavy contact load (30A).
- Fuse design available.
- Suitable for automobile and lamp accessories application.
- Insert mounting ,With metal frame.

Ordering Information

NVFS A 15 DC12V

1 2 3 4

1 Part number: NVFS

2 Contact arrangement: A:1A

3 Contact rating: 15:15A/14VDC,28VDC; 30:30A/14VDC

4 Coil rated Voltage(V): DC: 6,12,24

Contact Data

| | | | |
|----------------------------|------------|--------------------------|----------------------------|
| Contact Arrangement | | 1A(SPSTNO) | |
| Contact Material | | AgSnO ₂ | |
| Contact Rating (Resistive) | | 15A,30A/14VDC; 15A/28VDC | |
| Max. Switching Power | | 420W | |
| Max. Switching Voltage | | 30VDC | Max. Switching Current:30A |
| Voltage Drop(Initial) | | Typ. 50mV(at 10A) | Item 4.12 of IEC 61810-7 |
| Operation | Electrical | 1×10 ⁵ | Item 4.30 of IEC 61810-7 |
| | Mechanical | 1×10 ⁷ | Item 4.31 of IEC 61810-7 |

Coil Parameter

| Dash numbers | Coil voltage VDC | | Coil resistance Ω ±10% | Pick-up voltage VDC(max) (65%of rated voltage) | Drop-out voltage VDC(min) (20% of rated voltage) | Coil power W | Operate time ms | Release time ms |
|--------------|------------------|------|------------------------|---|--|--------------|-----------------|-----------------|
| | Rated | Max. | | | | | | |
| 006-1800 | 6 | 7.8 | 20 | 3.9 | 1.2 | 1.8 | ≤7 | ≤5 |
| 012-1800 | 12 | 15.6 | 80 | 7.8 | 2.4 | | | |
| 024-1800 | 24 | 31.2 | 320 | 15.6 | 4.8 | | | |

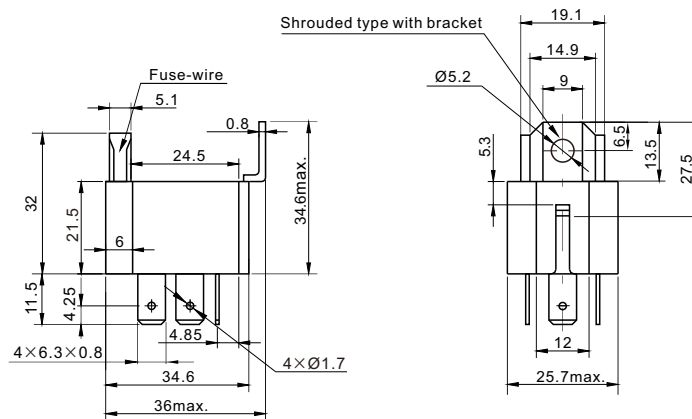
CAUTION: 1.The use of any coil voltage less than the rated coil voltage will compromise the operation of the relay.
2.Pickup and release voltage are for test purposes only and are not to be used as design criteria.

Characteristics

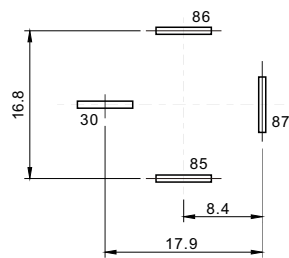
| | | |
|---|-----------------------------------|--|
| Insulation Resistance | 100M Ω min (at 500VDC) | Item 4.11 of IEC 61810-7 |
| Dielectric Strength Between Contacts Between Contact and Coil | 50Hz 500V 50Hz 750V | Item 4.9 of IEC 61810-7 Item 4.9 of IEC 61810-7 |
| Shock Resistance | 147m/s ² 11ms | Item 4.26 of IEC 61810-7 |
| Vibration Resistance | 10Hz~40Hz Double amplitude 1.27mm | Item 4.28 of IEC 61810-7 |
| Terminals Strength | 100N | Item 4.24 of IEC 61810-7 |
| Ambient Temperature | -40 $^{\circ}$ C~105 $^{\circ}$ C | |
| Relative Humidity | 5% to 85% | Item 4.16 of IEC 61810-7 |
| Mass | 32g | Item 4.7 of IEC 61810-7 |

Dimensions

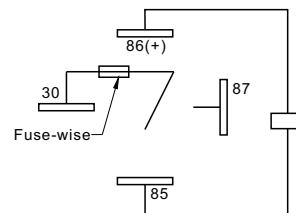
mm



Dimensions



Mounting (Bottom view)



Wiring diagram (Bottom view)

CAUTION: In case of no tolerance shown in outline dimension: outline dimension ≤ 1 mm, tolerance should be ± 0.2 mm ;
outline dimension > 1 mm and ≤ 5 mm, tolerance should be ± 0.3 mm; outline dimension > 5 mm, tolerance should be ± 0.4 mm.