

BEIJING HUADE HYDRAULIC INDUSTRIAL GROUP CO.,LTD.	Direct operated pressure sequence valve, type DZ 6 DP			RE 26393/12.2004
	Size 6	up to 21MPa	up to 60L/min	Replaces: RE26393/05.2001

Features:

- For subplate mounting
- 5 pressure stages
- 4 Adjusting elements:
 - Rotary knob,
 - Head screw with hexagon and protective cap,
 - Lockable rotary knob with scale,
 - Rotary knob with scale
- Check valve, optional
- Mounting pattern to DIN 24 340, form A,ISO 4401 and CETOP-RP 121H



Function, section

The valve type DZ 6 DP is a direct operated pressure sequence valve.

It is used for the pressure dependent connection of a second system.

The setting of the sequence pressure is via the adjusting element(4).

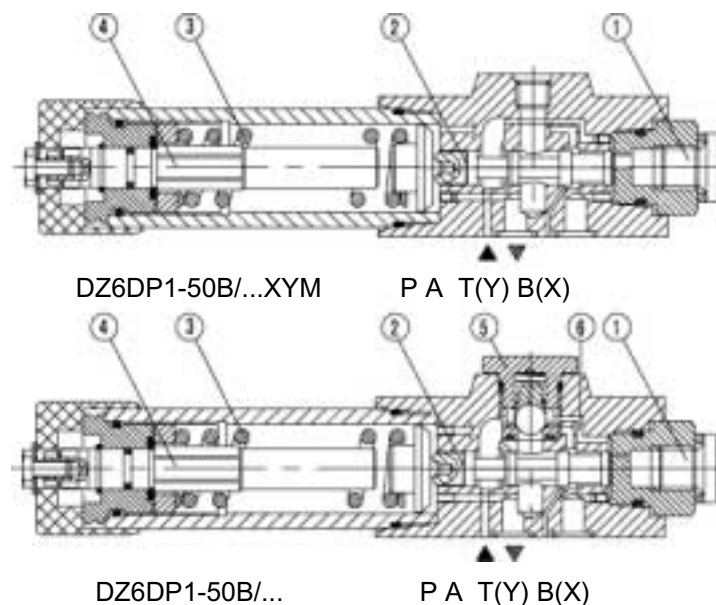
The spring (3) holds the control spool (2) in the neutral position, the valve is blocked. The pressure in channel P is present at the spool surface of the control spool (2) opposite the spring (3) via the control line (6).

If the pressure in channel P reaches the set value of the spring (3) the control spool (2) is moved to the left and the connection

P to A is opened. The system at channel A is connected without a pressure decrease falling in channel P.

The control signal originates internally via the control line (6) from channel P or externally via port B (X).

Depending on the use of the valve the leakage oil drain is externally via port T (Y) or internally via A.



Symbols

with non-return valve	DZ6DP.-10B/...	DZ6DP.-10B/...X..	DZ6DP.-10B/...Y..	DZ6DP.-10B/...XY..
without non-return valve	DZ6DP.-10B/...M...	DZ6DP.-10B/...XM...	DZ6DP.-10B/...YM...	DZ6DP.-10B/...XYM...

Ordering code

DZ	6	D	P	-	50	B	/				*
----	---	---	---	---	----	---	---	--	--	--	---

Size 6 =6

Direct operated = D

Subplate ports = P

Adjusting element
 Rotary knob = 1
 Head screw with hexagon and protective cap = 2
 Lockable rotary knob with scale 1) = 3
 Rotary knob with scale = 7

Series 50 to 59 = 50
 (50 to 59, installation and connection dimensions remain unchanged)

Technology of Beijing Huade Hydraulic =B

Further details in clear text

No code. = mineral oils
 V = phosphate ester

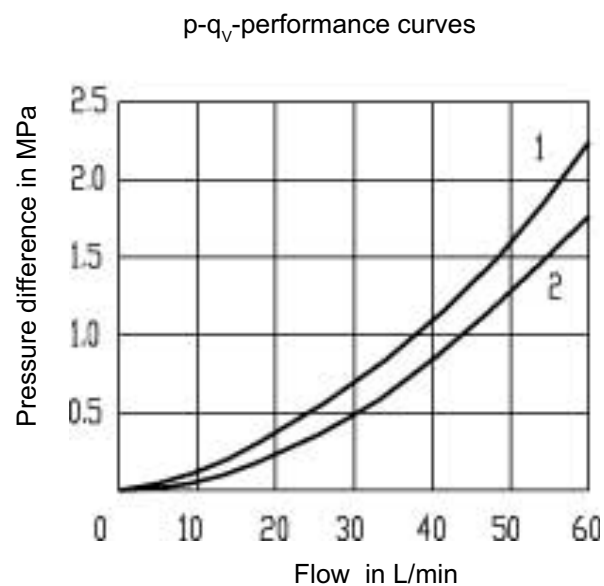
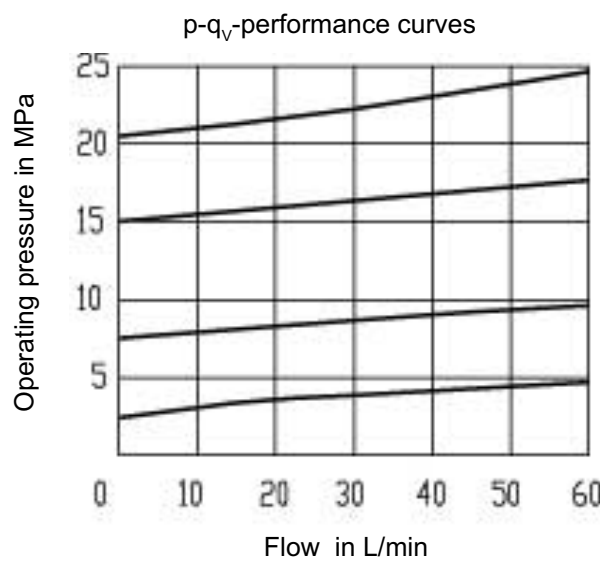
No code = with non-return valve
 M = without non-return valve

No code = pilot oil supply internal, drain internal
 X = pilot oil supply external, drain internal
 Y = pilot oil supply internal, drain external
 XY = pilot oil supply external, drain external

25= Max. sequence pressure 2.5 Mpa
 75= Max. sequence pressure 7.5 Mpa
 150= Max. sequence pressure 15.0 Mpa
 210= Max. sequence pressure 21.0 Mpa

Technical Data		
Inlet pressure, port P, B (X)	(MPa)	up to 31.5
Outlet pressure, port A	(MPa)	up to 21.0
Back pressure, port T (Y)	(MPa)	up to 16.0
Max. permissible flow	(L/min)	up to 60
Fluid		Mineral oil (for NBR seal), or phosphate ester (for FPM seal)
Viscosity range	(mm ² /s)	10~800
Fluid temperature rang	(°C)	-30 to +80
Fluid cleanliness	(µm)	Fluid cleanliness Maximum permissible degree of contamination of the fluid to NAS 1638 Class 9.
Max. flow	L/min	up to 60

Operating curves (measured at $v=41\text{mm}^2/\text{S}$ and $t=50^\circ\text{C}$)

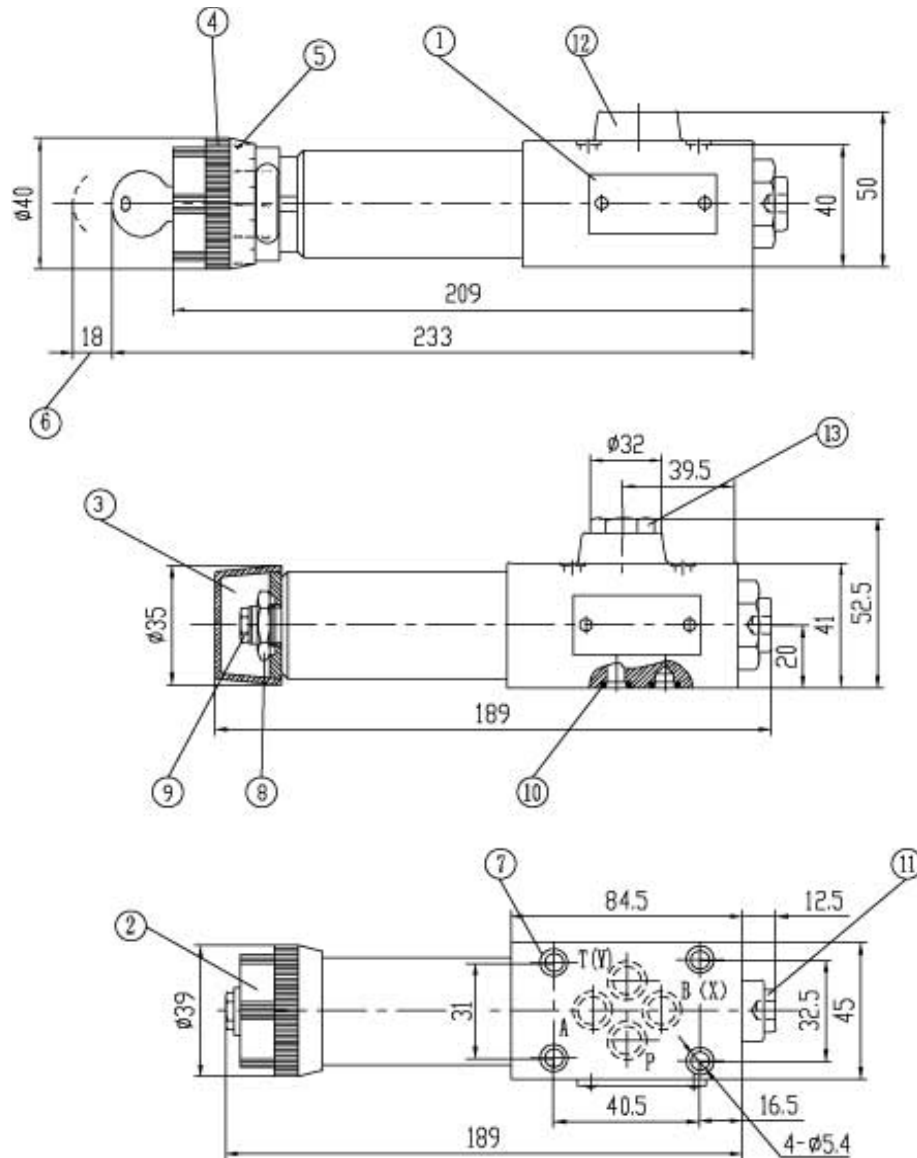


1 Δ p-q_v-performance curve via check valve A to P

2 Δ p-q_v-performance curve P to A

Unit dimensions:

(Dimensions in mm)



- 1 Nameplate
- 2 Adjustment element 1
- 3 Adjustment element 2
- 4 Adjustment element 3
- 5 Adjustment element 7
- 6 Space required to remove key
- 7 Valve fixing screw holes
- 8 Lock nut 24 A/F
- 9 Hexagon 10 A/F
- 10 O-ring 9.25 x 1.78 for ports A, B (X), P, T(Y)
- 11 Pressure gauge port G 1/4; 12 deep; Hexagonal recess A/F 6
- 12 Without check valve
- 13 With check valve

Subplates: see page 152

- G 341/01 (G 1/4")
- G 341/02 (M14X1.5)
- G 342/01 (G 3/8")
- G 342/02 (M18X1.5)

Valve fixing screws

- 4-M5 x 50-10.9 (GB/T70.1-2000)
- Tightening torque $M_A = 8,9 \text{ Nm}$, must be ordered separately.



Required surface finish of mating piece