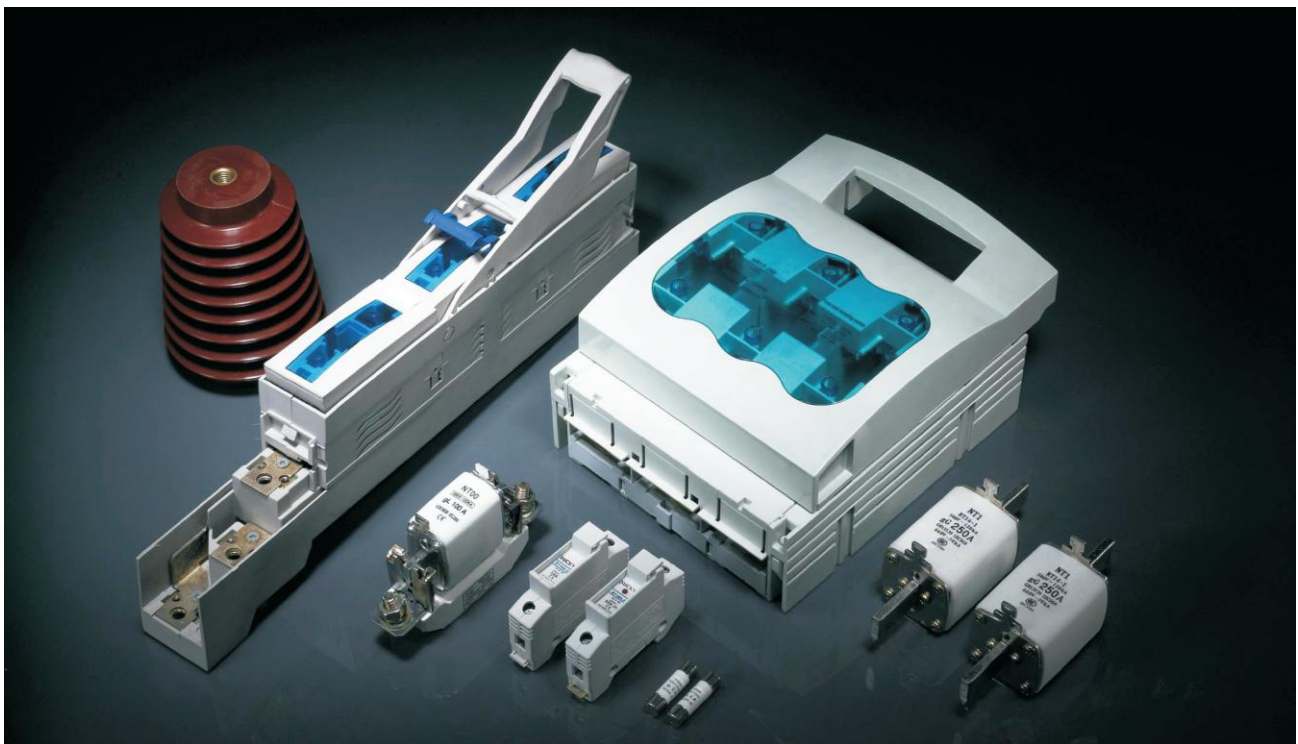


Catalogue

Wenzhou Xucky Electric Co.,Ltd

www.xucky.com

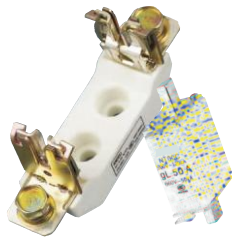


Fuse&Disconnecter

NT Low Voltage Fuse

1. Application

NT low voltage H.R.C. fuse features light in weight, small in size, low in power loss and high in breaking capacity. This product has been widely used in overload and short circuit protection of electric installation. This product conforms to IEC 60269 standards with all of the rating at the world advanced level.



NT00C



NT00



NT0

2. Specifications

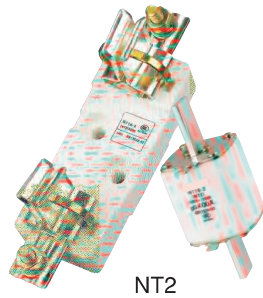
Type	Fuse link				Fuse base		
	Rated current (A)	Rated voltage (V)	Rated power loss (W)	Weight (kg)	Type	Rated current (A)	Weight (kg)
NT00C	2	500, 600	0.41	0.15	Sist 101	160	0.2
	4		0.62				
	6		0.81				
	10		1.08				
	16		1.60				
	20		1.81				
	25		2.31				
	32		3.07				
	36		3.17				
	40		4.05				
	50		4.25				
	63		4.70				
	80		5.7				
100	7						
NT00	4	500, 600	0.67	0.15	Sist 101	160	0.2
	6		0.89				
	10		1.14				
	16		1.65				
	20		1.94				
	25		2.50				
	32		3.32				
	36		3.56				
	40		4.30				
	50		4.5				
	63		4.6				
	80		6				
	100		7.3				
125	7.6						
160	9.6						
NT0	6	500, 600	1.03	0.2	Sist 160	160	0.32
	10		1.42				
	16		2.45				
	20		2.36				
	25		2.7				
	32		3.74				
	35		4.3				
	40		4.7				
	50		5.5				
	63		6.9				
	80		7.6				
	100		8.9				
	125		10.1				
160	15.2						

2. Specifications

Type	Fuse link				Fuse base		
	Rated current (A)	Rated voltage (V)	Rated power loss (W)	Weight (kg)	Type	Rated current (A)	Weight (kg)
NT1	80	500, 600	6.2	0.36	Sist 201	250	0.8
	100		7.5				
	125		10.2				
	160		13				
	200	15.2					
	224	500	16.8				
	250		18.3				
NT2	125	500, 600	9	0.65	Sist401	400	1.2
	160		11.5				
	200		15				
	224		16.6				
	250		18.4				
	300		21				
	315		19.2				
	355		24.5				
	400		26				
NT3	315	500, 600	21.7	0.85	Sist601	630	1.5
	355		22.7				
	400		26.8				
	425		28.9				
	500	500	32				
	630		40.3				
NT4	800	380	62	1.95	Sist1001	1000	3.45
	1000		75				



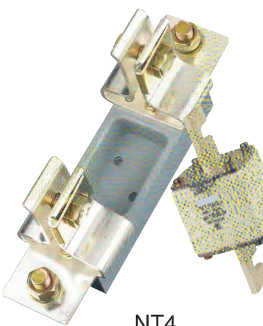
NT1



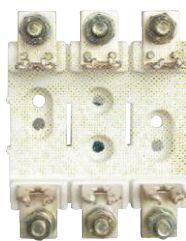
NT2



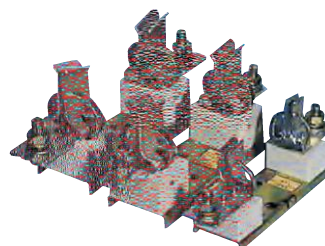
NT3



NT4



NT00 3P



NT2 3P

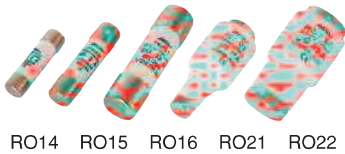


NT00 Fuse Puller

H.R.C Fuse Core

1. Application

The fuses links having cylindrical contact caps are designed for protecting electrical distributing installations of rated voltage of 380V AC. with rated current up to 125A against damage due to overload and short circuit. Fuse links with the striker are supplied for the purpose of protecting motors against motor single phasing operation when fitted in fuse isolators.



RO14 RO15 RO16 RO21 RO22

2. Specifications

Type		Dimension (mm)	Rated Current (A)
gG	aR		
RO14	RS14	8.5 x 31.5	1, 2, 4, 6, 10, 16, 20
RO14A	RS14A	8.5 x 23	1, 2, 4, 6, 10, 16, 20
RO15	RS15	10 x 38	2, 4, 6, 10, 16, 20, 25, 32
RO16	RS16	14 x 51	2, 4, 6, 10, 16, 20, 25, 32, 40, 50, 63
RO17	RS17	22 x 58	10, 16, 20, 25, 32, 40, 50, 63, 80, 100
RO21	RS21	DII	2, 4, 6, 8, 10, 13, 16, 20, 25
RO22	RS22	DIII	35, 40, 50, 63
RO26	RS26	D01	2-6, 10, 16
		D02	20, 25, 35, 50, 63
		D03	80, 100



RO26

Fuse Holder

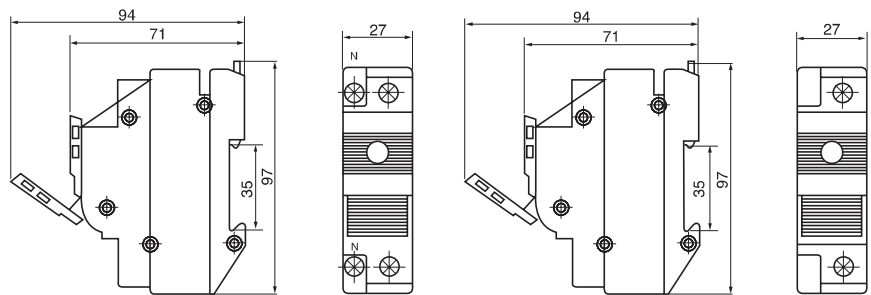
1. Specifications

Current	32A	63A
No. of poles	1P+N, 3P, 3P+N	1P, 1P+N, 2P, 3P, 3P+N
Size of fuse link	D02	

2. Outline and Installation Dimension (mm)



RD18-32 1P+N 32A



32A 1P+N

63A 1P



RD18-63 3P 63A

Model	Current	No. of poles	Conductor cross-section mm ²	No. of spacing units per 18mm
RD18-32	32A	1P+N	1.5-16	1.5
	32A	3P	1.5-16	4
RD18-63	63A	1P	1.5-16	1.5
	63A	1P+N	1.5-16	3
	63A	2P	1.5-16	3
	63A	3P	1.5-16	4
	63A	3P+N	1.5-16	6

Fuse Holder



RT18-32X 1P



RT18-63/2P



RT18M-32X/3P



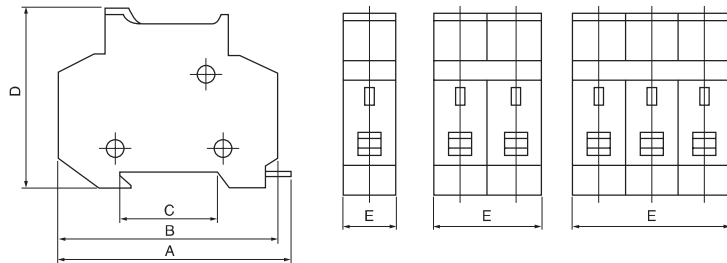
RT18L



HG30

RT18

Type	Assorted Fuse	Rated Voltage (V)	Rated Current (A)	Weight (kg)	Dimension (mm)				
					A	B	C	D	E
RT18-32 1P	10 x 38	380	32	0.075	82	78	35	63	18
RT18-32 2P			32	0.15	82	78	35	63	36
RT18-32 3P			32	0.22	82	78	35	63	54
RT18-63 1P	14 x 51		63	0.18	106	103	35	80	26
RT18-63 2P			63	0.36	106	103	35	80	52
RT18-63 3P			63	0.54	106	103	35	80	78
RT18-32X 1P	10 x 38		32	0.075	82	78	35	63	18
RT18-32X 2P			32	0.15	82	78	35	63	36
RT18-32X 3P			32	0.22	82	78	35	63	54
RT18-63X 1P	14 x 51		63	0.18	106	103	35	80	26
RT18-63X 2P			63	0.36	106	103	35	80	52
RT18-63X 3P			63	0.54	106	103	35	80	78



RT18

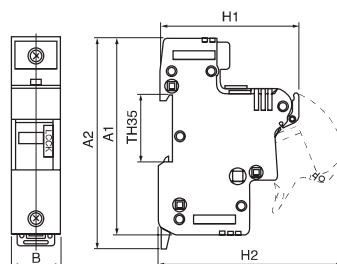
RT18L

Type	Assorted Fuse	Number of Poles	Rated Insulation Voltage (V)	Conventional heating current (A)	Dimension (mm)				
					A1	A2	B	H1	H2
RT18L-63	14 x 51	1, 2, 3, 4	690	63	108	115	27	78	100
RT18L-125	22 x 58			125	126	134	36	78	104

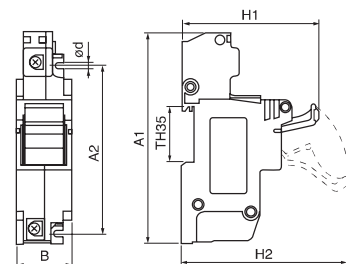
HG30

Type	Assorted Fuse	Number of Poles	Rated Insulation Voltage (V)	Conventional heating current (A)	Dimension (mm)					
					A1	A2	B	H1	H2	ød
HG30-63	14 x 51	1, 2, 3, 4	500	63	107	80	27	80	102	4.5
HG30-125	22 x 58			125	140	110	36	90	109	4.5

Dimension



RT18L



HG30

J Fuse Link

1. Specifications



J Type

size	Rated current (A)
76mm 3"	20 35 32 40 50 63 80 100 125 160 200
83mm 3 1/4"	20 25 32 40 50 63 80 100 125 160 200 250 315 355 400
92mm 3 5/8"	20 25 32 40 50 63 80 100 125 160 200 250 315 355 400 450 500 560 630 800

Fuse Base

1. Specifications



RL6-25

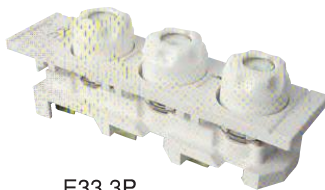
RL6-63

Model	RL6-25	RL6-63
Rated Voltage	500V	500V
Rated Current of Fuse	25A	63A
Rated Current of Fusant	2,4,6,10,16,20,25A	35,50,63A
Rated Breaking Current	50KA cosφ=0.1-0.2kg	50KA cosφ=0.1-0.2kg
Overall dimension	66 x 43 x 80	89 x 54 x 82
Weight	0.20kg	0.25kg

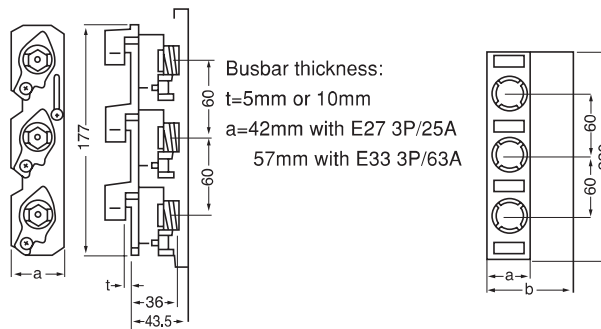
2. Outline and Installation Dimension (mm)



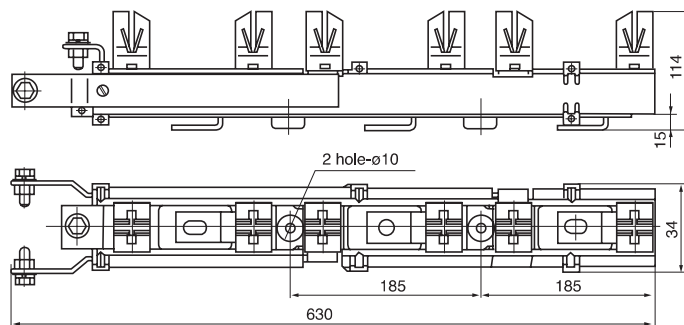
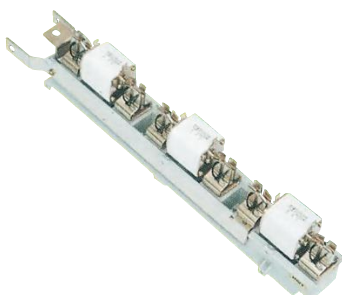
E27 3P



E33 3P



E27 3P/E33 3P Vertical type



NT2-3J

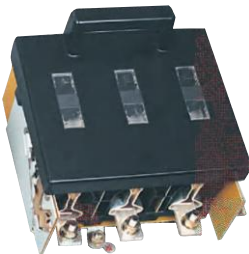
Cut Out Fuse



60# 60/80A



100# 1P+N 100A



HR5

1. Application

FS cutouts are made of high grade phenolic moulding power having high mechanical and dielectric strength. The body possessor non-hygroscopic and non-trackong qualities. Terminal contacts are of tinned brass with phosphor bronze back up compression spring capable of providing flawless service even after years of use.

It has features like: all components are inter-locked. Sealing provision to aviod unauthorised access. Common body from 15amps to 100amps. Terminal are suitable for aluminium/copper conductors upto35sp.mm loop in and loop out cabling contacts available.

FS insulated service cutouts conform to BS 1361.1986 standard SR H fuses conform to BS1361.1986. The available current is 60#60/80A, 100#60/80A, 100#100A, 100#1P+N 60/80A, 100#1P+N 100A.

Isolating Switch Fuse

1. Application

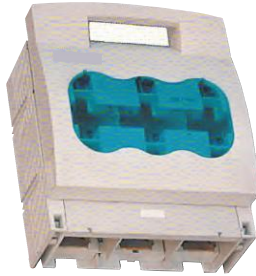
The product is used in distribution circuit and motor circuit of current 50Hz, rated operational frequency 660V under, and rated current 100-630A, also used in high-short-circuit as power switch, isolating switch and emergency switch protecting circuit. Fitted with NT(RT16)fuse. It conforms to IEC60947-3.

2. Specification

Model	100	200	400	630	
Number of Main Poles	3				
Rated Insulation Voltage AC (V)	690				
Rated Operational Voltage (V)					
Rated Operational Current (A)	380V AC-23	100	200	400	630
	660V AC-22	100			
Rated Making Capacity	380V cosø0.35 AC-23	10			
	660V cosø0.65 AC-22	3			
Rated Breaking Capacity	380V cosø0.35 AC-23	8	8		
	660V cosø0.65 AC-22	3			
Rated Fused Short Circuit Current (KAr.m.s)	380V AC-23	100			
	660V AC-22				
Max.Fuse-Link (A)	160	250	400	630	
Fuse Type (NT0)					
Mechanical Endurance/Electrical Endurance (Operations)	3000		1000		
Auxiliary Switch (380V AC-15)VA	300				

Fuse Disconnecter

1. Specifications



HR17 3P



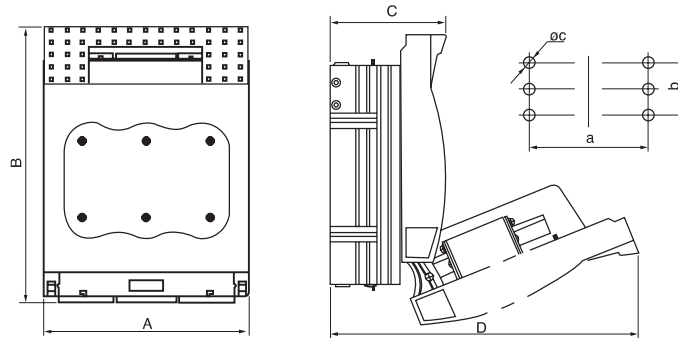
HR17 4P

Switch Rating Heat Current (A)	Number of Poles	Assorted Fuse	Rated Current (A)
160	3, 4	NT00	4,6,10,16,20,25,32,35,40,50,63,80,100,125,160
250		NT1	80,100,125,160,200,224,250
400		NT2	125,160,200,224,250,300,315,355,400
630		NT3	315,335,400,425,500,630

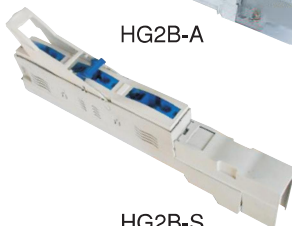
2. Outline and Installation Dimension (mm)

HR17

Model	Assorted Fuse	A	B	C	D	a	b	øc
HR17-160/30	NT00	106	200	83	205	66	25	ø7
HR17-250/30	NT1	185	247	110	295	114	50	ø11
HR17-400/30	NT2	210	290	125	340	130	50	ø11
HR17-630/30	NT3	256	300	145	360	162	50	ø11
HR17-160/40	NT00	138	200	83	205	100	25	ø7
HR17-250/40	NT1	242	247	110	295	172	50	ø11
HR17-400/40	NT2	276	290	125	340	195	50	ø11
HR17-630/40	NT3	340	300	145	360	243	50	ø11



HG2B-A



HG2B-S

HG2B Fuse Disconnecter

1. Specifications

Model	Assorted Fuse	Switch Rating Heat Current (A)	Rated Current (A)
HG2B-160A	NT00	160	4,6,10,16,20,25,32,35,40,50,63,80,100,125,160
HG2B-250A	NT1	250	80,100,125,160,200,224,250
HG2B-400A	NT2	400	125,160,200,224,250,300,315,355,400
HG2B-630A	NT3	630	315,335,400,425,500,630

Disconnect Fuses

1. Application

Disconnect fuses BP32/PB32 are used for passing the nominal currents, turning the power of the off-load electric networks with the nominal voltage up to 500V with the nominal frequency 50 and 60 Hz in the power distribution devices on and off.



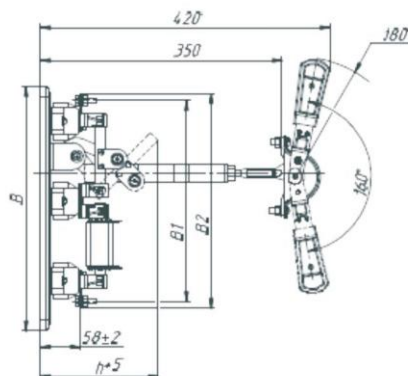
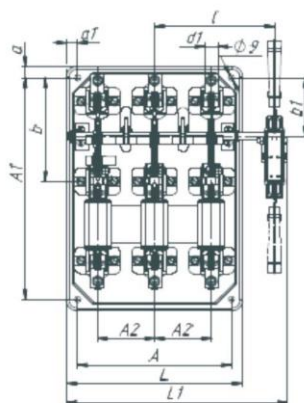
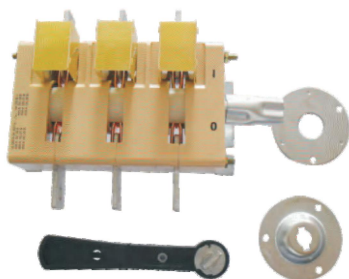
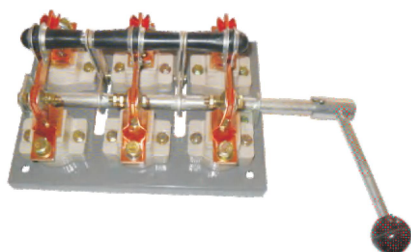
2. Technical Characteristics

Name of the parameter	BP32-31B31250 PB-100-II	BP32-35B31250 PB-250-II	BP32-37B31250 PB-400-II
Nominal working voltage, U_w , V	500	500	500
Nominal frequency, Hz	50and60	50and60	50and60
Nominal insulation voltage, U_i , V	660	660	660
Nominal working current, I_w , A, AC=20V	100	250	400
Nominal making and breaking capacity at the voltage $U=1,05 U_w$, $I=1,5 I_w$, $\cos \varphi =0,95$	120kA	120kA	120kA
Nominal conventional short circuit current, I_{sc} , kA	20	20	30
Nominal current of the fuse links, A	100	250	400
Max. power losses of the fuse links, W	16	34	56
Standard connection	M8	M10	M12
Protection level	IP00		
Mechanical indurance, not less (cycles)	2500		

Current conducting elements are made of the high quality copper.

Disconnect fuses with the forward positioned handle for the currents up to 400 A.

Apparatus version	Conventional thermal current, A	Dimensions(mm)																
		A	A1	A2	a	a1	h	L	L1	l	B	B1	B2	b	b1	d		
PIIC1/II(П)	100						175							299	319	154		20
PIIC2/II(П)	250	230	330	85	17	17	190	264	322	180	364		315	340	164	87	25	
PIIC4/II(П)	400						195						359	384	154			



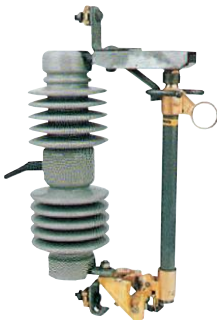
High Voltage Cutout



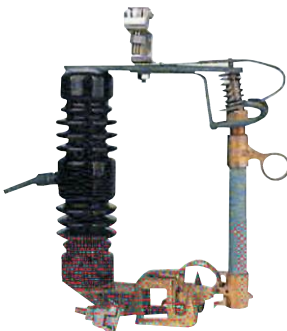
12KV-15KV



15KV-18KV



24KV



33KV-35KV

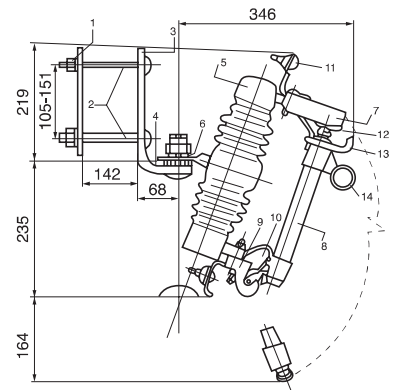
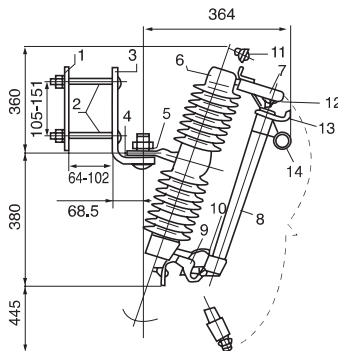
1. Description

- Mounting Bracket
- Long Bolts
- Mounting Bracket
- External-Tooth Lock Washer
- Porcelain Insulator
- Lock Washer
- Upper Connection
- Fuse Holder
- Lower Connection
- Lifting Eye
- Connectors
- Steady Contacts
- Load Break Tool Attack Hook
- Opening Eye

2. Specification

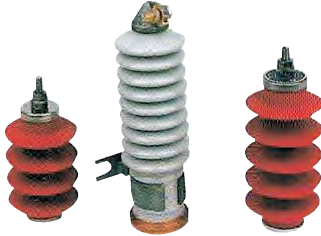
Type	Rated Voltage (kV)	Rated Current (A)	Breaking Current (A)	Impulse Voltage (BIL)	Power-Frequency Withstand Voltage (kV)	Crawling Distance	Weight (kg)
RS-7	15	100	10000	110	42	230m/m	7
RS-7	15	100	12000	110	42	230m/m	7
RH-8	15	100	10000	110	42	230m/m	7.3
RH-8	15	100	12000	110	42	230m/m	7.3
RH-C	15	100	10000	110	42	320m/m	7.5
RH-C	15	100	12000	110	42	320m/m	7.5
RH-A	35	100	6000	180	70	800m/m	25
RH-A	35	100	8000	180	70	800m/m	25
R-98	18	100	8000	125	45	340m/m	8.8
R-98	18	100	10000	125	45	340m/m	8.8
R-97	24	100	8000	150	50	500m/m	12
R-97	24	100	10000	150	50	500m/m	12
RH-8	35	100	6000	170	70	660m/m	15
RH-8	35	100	8000	170	70	660m/m	15
RW10-10F/100	12	100	6300	70	42	230m/m	7
RW10-10F/100	12	200	6300	70	42	230m/m	7
RW11-10F-100	12	100	6300	70	42	330m/m	3.5
RW11-10F/100	12	200	6300	70	42	330m/m	3.5
PRWG-10F/100	12	100	6300	70	42	340m/m	8.5
PRWG-10F/100	12	200	6300	70	42	340m/m	8.5

3. Outline and Installation Dimension (mm)



Lightning Arrester

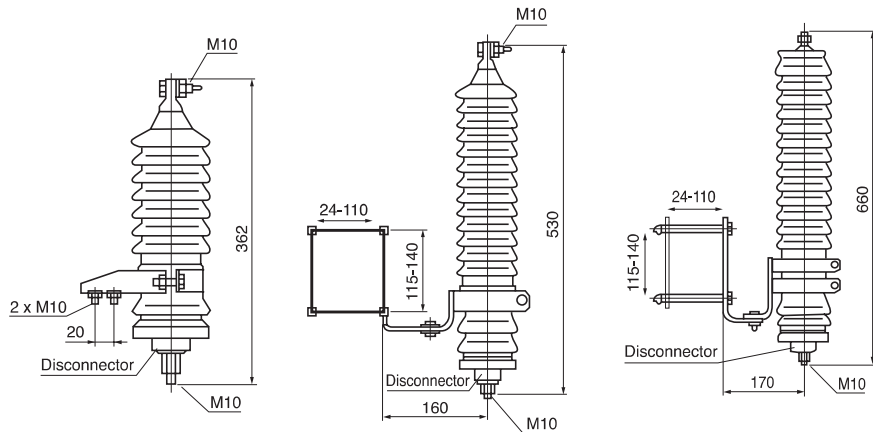
1. YHWS1 Lightning Arrester



YHWS1

Type	System Rated Voltage (kV)	Lightning Arrester Rated voltage (kV)	Lightning Arrester Continuous Operating Voltage (kV)	DC 1mA Voltage (kV)	Nominal Discharge Current Wire (kV)	Square Wave Impulse Current Endurance (A)
YHWS-3.8/17	3	3.8	2.0	7.5	17	100
YHWS-7.3/30	6	7.6	4.0	15	30	100
YHWS-10/30	6	10	4.0	15	30	100
YHWS-12.7/50	10	12.7	6.6	25	50	100
YHWS-17/45	10	17	12.7	25	50	100

2. Outline and Installation Dimension (mm)



3. Y5C-Y10C Lightning Arrester



Y5C-Y10C

Type	Rated Voltage (kV)	Power Frequency Discharge Current ≤kV	Impulse Discharge Voltage ≥kV	8/20 μS Residual Voltage for Lightning Impulse ≤kV	Square Wave Through Discharge (A)	8/20 μS Impulse Max Current 20 Times (kV)	Front-of-Wave Impulse Max Sparkover Voltage (kV)
Y5C-15	15	26	47	57	100	40	47
Y10C-15	15	26	43	51	150	65	43
Y5C-18	18	33	48	57	100	40	66
Y10C-18	18	33	48	60	200	65	70
Y5C-24	24	40	66	80	100	40	88
Y10C-24	24	40	66	80	200	65	92
Y5C-33	33	56	100	123	100	40	100
Y10C-33	33	56	93	113	200	65	93
Y5C-36	36	61	106	133	100	40	106
Y10C-36	36	61	99	120	200	65	99