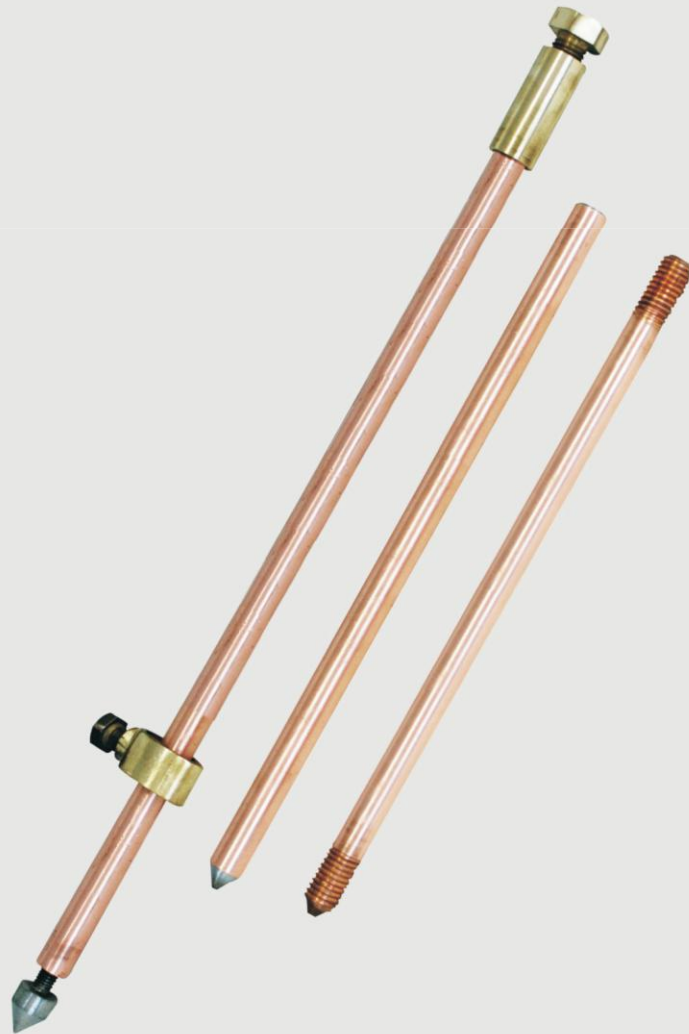


Catalogue

Wenzhou Xucky Electric Co.,Ltd

www.xucky.com



Earthing Protection Accessories



CONTENT

EARTHING PROTECTION ACCESSORIES

COPPER BOUNDED EARTH ROD	01
EARTH ROD ACCESSORIES	02
SCC SPLIT CONNECRTOR CLAMP	02
ROD TO TAPE CLAMP, U BOLT CLAMP	03
DC TAPE CLAMP	04
LIGHTNING ROD	05
ALUMINIUM TAPE, COPPER BRAID	06
COPPER POWER SHUNT, B/C SPLIT BOLTED CONNECTOR, BIMETALLIC CONNECOTR	07
C-CLAMP	08-09
EARTH POINT, EARTH INSPECTION PIT	09
HOT-MELT WELDING	10
HOT-MELT WELDING JOINT	11



Copper Bounded Earth Rod

- Copper layer is usually 254 microns.
- Earth rod can be threaded and tipped.
- High conductivity and anti-corrosion.
- 99.95% pure copper and low carbon steel.
- Tensile strength : 450-750.
- Capable of being bent 180 degrees without cracks.
- UL467 and BS7430 standards.



Item No.	Diameter (mm)	Threaded	Length(mm)								Copper Thickness (mm)	Kg/m
			1200	1200	1500	1800	2400	2440	2550	3000		
YJ-8	8		1200	1200	1500	1800	2400	2440	2550	3000	0.025-1	0.40
YJ-9.5	9.5	3/8"	1200	1200	1500	1800	2400	2440	2550	3000	0.025-1	0.56
YJ-10	10		1200	1200	1500	1800	2400	2440	2550	3000	0.025-1	0.62
YJ-12.7	12.7	1/2"	1200	1200	1500	1800	2400	2440	2550	3000	0.025-1	1.00
YJ-14	14	M16	1200	1200	1500	1800	2400	2440	2550	3000	0.025-1	1.21
YJ-14.2	14.2	5/8"	1200	1200	1500	1800	2400	2440	2550	3000	0.025-1	1.24
YJ-15.8	15.8		1200	1200	1500	1800	2400	2440	2550	3000	0.025-1	1.54
YJ-16	16	M18	1200	1200	1500	1800	2400	2440	2550	3000	0.025-1	1.58
YJ-17.2	17.2	3/4"	1200	1200	1500	1800	2400	2440	2550	3000	0.025-1	1.83
YJ-18	18	M20	1200	1200	1500	1800	2400	2440	2550	3000	0.025-1	2.00
YJ-19.1	19.1		1200	1200	1500	1800	2400	2440	2550	3000	0.025-1	2.25
YJ-20	20	M22	1200	1200	1500	1800	2400	2440	2550	3000	0.025-1	2.47
YJ-22	22	M24	1200	1200	1500	1800	2400	2440	2550	3000	0.025-1	3.00
YJ-23.2	23.2	1"	1200	1200	1500	1800	2400	2440	2550	3000	0.025-1	3.32
YJ-25	25	M27	1200	1200	1500	1800	2400	2440	2550	3000	0.025-1	3.86
YJ-30	30		1200	1200	1500	1800	2400	2440	2550	3000	0.025-1	5.56
YJ-32	32		1200	1200	1500	1800	2400	2440	2550	3000	0.025-1	6.32

Earth Rod Accessories

- Coupler material: brass or bronze.
- Driving head material: high tensile steel.
- Drilling head material: high tensile steel.

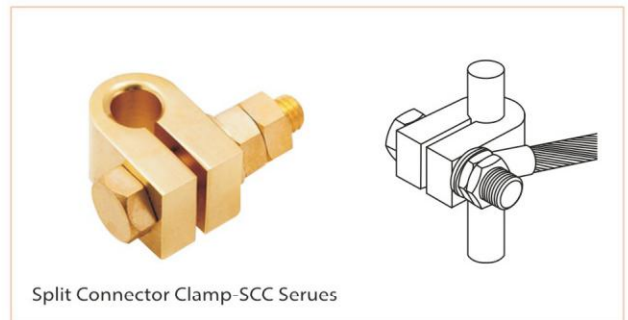


Coupler Part No.	Drilling Head Part No.	Driving Head Part No.	Fit For Ground Rod Diameter(Thread Size)
YJL-12	YJZ-12	YJQ-12	12.7mm (Thread 1/2")
YJL -58	YJZ -58	YJQ -58	14.2mm (Thread 5/8")
YJL -142	YJZ -142	YJQ -142	14.2mm (Thread M16)
YJL -16	YJZ -16	YJQ -16	16mm (Thread M18)
YJL -34	YJZ -34	YJQ -34	17.2mm (Thread 3/4")
YJL -18	YJZ -18	YJQ -18	18mm (Thread M20)
YJL -20	YJZ -20	YJQ -20	20mm (Thread M22)
YJL -25	YJZ -25	YJQ -25	25mm (Thread M27)

Split Connector Clamp-SCC Series

SCC series split connector clamps are used to connect cable.

- Widely used for lightning protection grounding protection system.



Split Connector Clamp Part No.	Rod Shank Dia.(mm)	Material
SCC58	15.8	Copper
SCC34	19.0	Copper

For use with Copper bond earth rod(on rod thread)

Split Connector Clamp Part No.	Rod Shank Dia.(mm)	Material
SCC095	9.5	Copper
SCC142	14.2	Copper

For use with Copper bond earth rod(on rod shank)

Split Connector Clamp Part No.	Rod Shank Dia.(mm)	Material
SCC15	15	Copper
SCC16	16	Copper
SCC20	20	Copper

For use with copper& stainless steel earth rod(on rod shank)

Rod To Tape Clamp (Clamp A)

It is used with copper-bonded ground rods, which with a low resistance to secure copper-to-copper connection.

- Material: Brass or bronze.
- IEC standard.



Rod To Tape Clamp (Clamp A)

Part No.	Size	Diameter(mm)	Suitable Conductor(mm)
YJCA-12	1/2"	12.7	26x12
YJCA -58	5/8"	14.2	26x12
YJCA -34	3/4"	17.2	26x10
YJCA -1	1"	25.0	30x5

Rod To Cable Clamp (Clamp G)

It is used with copper-bonded ground rods, provide a low resistance, secure copper-to-copper connection.

- Material: Brass or bronze.
- IEC standard.



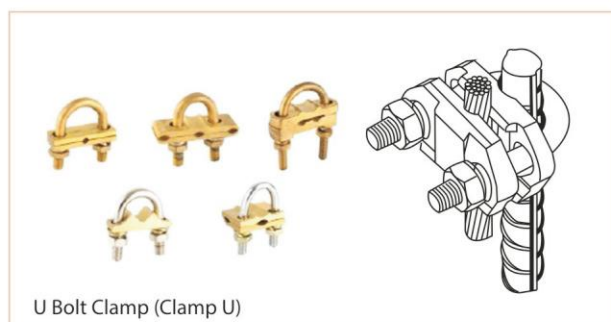
Rod To Cable Clamp (Clamp G)

Part No.	Size	Diameter(mm)	Suitable Conductor(mm)
YJEA-38	3/8"	9.5	6-35
YJEA -12	1/2"	12.7	16-50
YJEA -58	5/8"	14.2	16-70
YJEA -34	3/4"	17.2	35-95
YJEA -1	1"	25.0	70-120

U Bolt Clamp (Clamp U)

It is used with copper-bonded ground rods, provide a low resistance, secure copper-to-copper connection.

- Material: Brass or bronze.
- IEC standard.



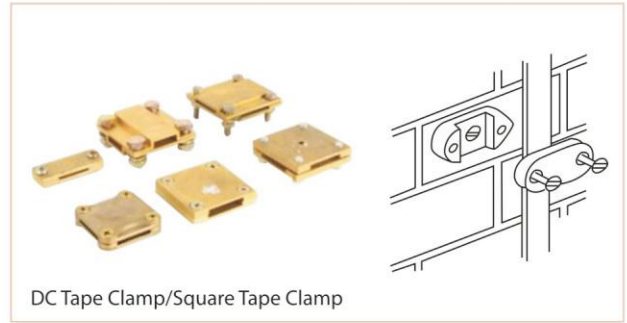
U Bolt Clamp (Clamp U)

Part No.	Size	Diameter(mm)	Suitable Conductor(mm)
YJUA-58	5/8"	16	16-95
YJUA -34	3/4"	20	16-70
YJUA -58B	5/8"	16	70-185
YJUA -34B	3/4"	20	70-150

DC Tape Clamp/Square Tape Clamp

DC Tape Clamp/Square Tape Clamp is used as connection for circular line fixed on the wall.

- Material: Brass.
- IEC standard.



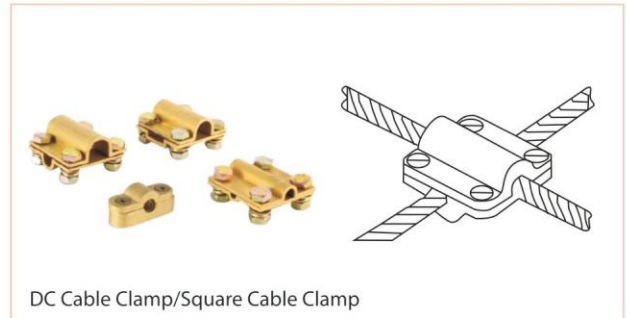
DC Tape Clamp/Square Tape Clamp

DC Tape Clamp Part No.	Square Tape Clamp Part No.	Conductor Size(mm)
YJCDC-203	YJCSC-203	20x3
YJCDC -253	YJCSC -253	25x3
YJCDC -254	YJCSC -254	25x4
YJCDC -303	YJCSC -303	30x3
YJCDC -404	YJCSC -404	40x4
YJCDC -505	YJCSC -505	50x5
YJCDC -606	YJCSC -606	60x6

DC Cable Clamp/Square Cable Clamp

DC Cable Clamp/Square Cable Clamp is used as connection for circular line fixed on the wall.

- Material: Brass.
- IEC standard.



DC Cable Clamp/Square Cable Clamp

DC Tape Clamp Part No.	Square Tape Clamp Part No.	Conductor Size(mm)
YJC-DC-001	YJC-CC-001	6
YJC-DC-002	YJC-CC-002	16
YJC-DC-003	YJC-CC-003	25
YJC-DC-004	YJC-CC-004	35
YJC-DC-005	YJC-CC-005	50
YJC-DC-006	YJC-CC-006	70
YJC-DC-007	YJC-CC-007	95
YJC-DC-008	YJC-CC-008	120
YJC-DC-009	YJC-CC-009	150
YJC-DC-010	YJC-CC-010	185
YJC-DC-011	YJC-CC-011	240
YJC-DC-012	YJC-CC-012	300

Lightning Rod

Pre-discharge lightning rod is designed based on Franklin lightning rod and developed complying with GB50057-94 and IEC61204 standards. There are single needle series and multiple needles series. Lightning rod is made of special stainless steel. It is water proof, anti-corrosion, easy installation and long service life. It is widely used in all kinds of buildings, public areas, telecommunication facilities and so on.

- Non electronic, long service life.
- Same protection quality after thunder striking.
- Different models available for different protection radius.
- Fully active lightning protection system
- Self activation only when there is lightning.
- Nice appearance.
- Safe and reliable
- Maintenance free.



Copper lightning rod



Brass lightning rod



Pre-Discharge lightning rod



Pre-Discharge lightning rod



Pre-Discharge lightning rod

Product	Part No.	Needle Height(m)	Protection Radius(m)	Material
Pre-discharge lightning rod	YJ-LR-3.1	5-20	22-25	Stainless Steel
	YJ-LR-3.3	5-20	42-45	Stainless Steel
	YJ-LR-4.3	5-20	51-54	Stainless Steel
Copper lightning rod	YJ-LR-C	2-12		Copper
Brass lightning rod	YJ-LR-S	2-12		Brass

Aluminum Tape

Aluminium tape wrap around a conductor of an outer aluminium strand to protect its surface.



Aluminum Tape

Item No.	Size WxT(mm)	Length(m)	Note
ALT	25X3	100	Can be OEM

Copper Braid

Wire Braid used for the flexible conductor of electric installation, switch gear, electric furnace, storage battery, etc.

- Material: T2 copper, 99.95%.
- Surface can be tinned.



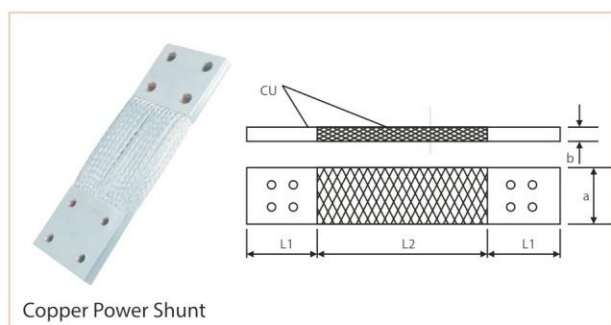
Copper Braid

Nominal Cross Section(mm ²)	Construction No. Of Strands x No. Of Wire x Layers/Single Wire Diameter(mm)	Width ≤ (mm)	Thickness ≤ (mm)	Calculate Weight (kg/km)
16	24x22x1/0.20	16	3.0	166
25	24x33x1/0.20	18	3.5	249
35	24x44x1/0.20	20	4.0	331
50	24x33x2/0.20	22	5.0	498
70	24x44x2/0.20	24	6.5	664
95	24x40x3/0.20	20	--	905
120	24x40x4/0.20	22	--	1207
150	24x40x5/0.20	24	--	1508
185	24x40x6/0.20	26	--	1810
240	24x40x8/0.20	30	--	2413
300	24x40x10/0.20	35	--	3016
400	24x40x10/0.20+	40	--	4004
	36x44x2/0.20			
500	24x40x10/0.20+	45	--	65007
	48x44x3/0.20			
630	24x40x10/0.20+	50	--	66334
	48x44x5/0.20			
800	24x40x10/0.20+	55	--	7661
	48x44x7/0.20			

Copper Power Shunt

Copper power shunt is used for the flexible conductor of electric installation, switch gear, electric furnace, storage battery, etc.

- Material: T2 copper, 99.95%.
- Surface can be tinned.



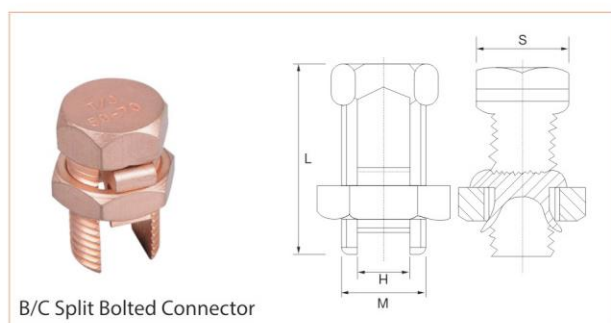
Copper Power Shunt

Item No.	Dimensions mm				Note
	a	b	L1	L2	
MST-63x6.3	63	6.3	73	170	Can be produced according to customer's drawign
MST-80x6.3	80	6.3	90	170	
MST-80x8	80	8.0	90	170	
MST-100x8	100	8.0	115	170	
MST-100x10	100	10.0	115	190	
MST-125x8	125	8.0	140	170	
MST-125x10	125	10.0	140	190	
MST-125x12.5	125	12.5	140	190	

B/C Split Bolted Connector

It is used to branch or connect aerial hard copper conductor or insulated copper conductor.

- Material : Brass.
- Surface : Tin Plated or Copper Plated on request.
- It is suitable for the sequence and transportation of all kinds of conductor in electric netting, made of copper.



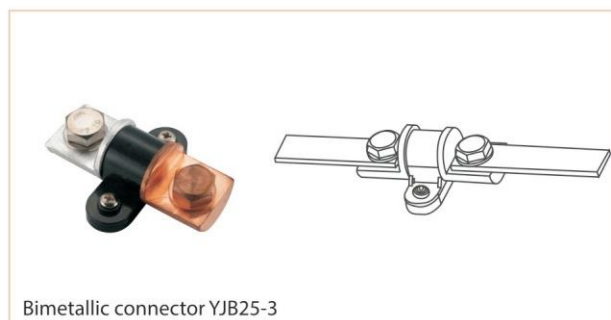
B/C Split Bolted Connector

Item No.	L	M	H	S
B/C-16	27	M11	6	12
B/C-25	27	M15	7	16
B/C-35	35	M17	8	18
B/C-50-70	42	M23	12	24
B/C-90-120	46	M25	13	26
B/C-150-185	60	M29	17	30
B/C-200-240	63	M31	20	32

Bimetallic Connector YJB25-3

For joining aluminium to copper tapes.

- Particularly useful where an aluminium lightning protection system needs to be earthed using copper.
- They enable a neat and practical jointing method without the need for tinning, riveting or wrapping the joint .



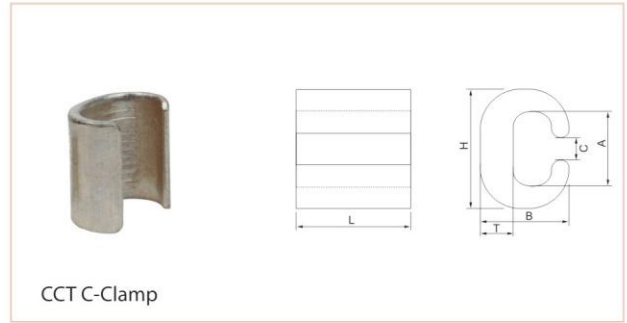
Bimetallic connector YJB25-3

Item No.	Conductor Size	Material
YJB25-3	25x3 Aluminum Tape to 25x3 Copper Tap	Copper

CCT C-Clamp

Copper cable C-clamp is used for lightning protection of building, conductor of the fastening and connection of the network.

- It is made of the copper material with low resistivity.
- Good electrical conductivity, good corrosion resistance.
- Convenient installation, specialized production.

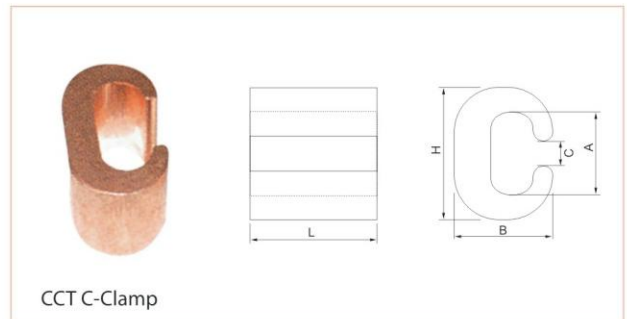


Item No.	Conductor(mm ²)	Dimensions					
		H	A	B	L	C	T
CCT-10	7.5-14	9.5	6.3	6.2	12	4.0	1.6
CCT-16	14.5-16	11.8	7.8	7.8	13	5.0	2.0
CCT-20	16.5-20	12.8	8.6	9.7	13	5.4	2.9
CCT-26	21-26	14.7	10.2	10.0	16	6.5	3.2
CCT-44	27-44	19.0	13.4	14.4	20	8.5	4.0
CCT-60	45-60	21.0	15.4	15.4	22	9.7	4.0
CCT-76	61-76	24.4	17.3	17.6	22	10.8	5.0
CCT-98	77-98	27.8	20.8	18.8	25	12.8	5.0
CCT-122	99-122	29.8	22.1	21.2	26	13.5	5.5
CCT-154	123-154	34.0	25.7	24.4	28	17.0	6.0
CCT-190	155-190	37.0	28.5	25.4	35	17.4	6.0
CCT-240	191-240	40.0	30.2	28.5	40	19.0	7.0
CCT-288	241-288	44.5	34.7	34.1	45	22.3	7.0
CCT-365	289-365	47.5	37.7	34.0	50	24.8	7.0
CCT-450	366-450	57.0	42.5	41.0	60	28.0	10.0
CCT-560	451-560	62.0	46.0	44.0	65	31.0	11.0
CCT-700	561-700	68.0	54.0	49.5	70	44.0	12.0

CCA C-Clamp

Copper cable C-clamp is used for lightning protection of building, conductor of the fastening and connection of the network.

- It is made of the copper material with low resistivity.
- Good electrical conductivity, good corrosion resistance.
- Convenient installation, specialized production.

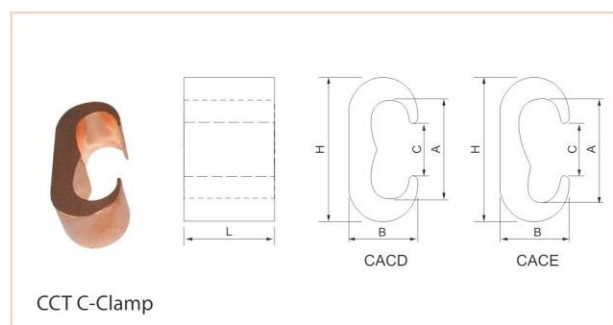


Item No.	Conductor(mm ²)	Dimensions					Note
		H	A	B	L	C	
CCA-1	25-35	25	20	15.0	20	10	Material:Cu ≥ 99.9%
CCA-2	50-70	34	24	21.5	23	11	
CCA-3	95-95	41	28	25.0	27	14.5	
CCA-4	120-120	48	32	29.0	30	16	

CCA C-Clamp

Copper cable C-clamp is used for lightning protection of building, conductor of the fastening and connection of the network.

- It is made of the copper material with low resistivity.
- Good electrical conductivity, good corrosion resistance.
- Convenient installation, specialized production.



Item No.	Conductor(mm ²)	Dimensions				
		H	A	B	L	C
CACD-35	35	30	20	14.3	19	11
CACD-70	70	39	28	19.0	19	15
CACD-120	120	52	39	24.0	22	21
CACD-240	240	74	56	34.0	28	33
CACE35/70	35-70	36	25	18.0	19	14
CACE-70/120	70-120	50	36	23.0	19	21
CACE-70/240	70-240	62	45	31.0	22	28
CACE-120/240	120-240	68	50	34.0	28	32

Earth Point

Item No	Hole Size(mm)	Length(mm ³)	Note
YJEP-008	M8×15	80	Single hole
YJEP-010	M10×15	80	Single hole
YJEP-012	M12×15	80	Single hole
YJEP-016	M16×15	80	Single hole
YJEP-008-D	M8×12	80	Double holes
YJEP-008-F	M8×14	75	Four holes



Earth Inspection Pit

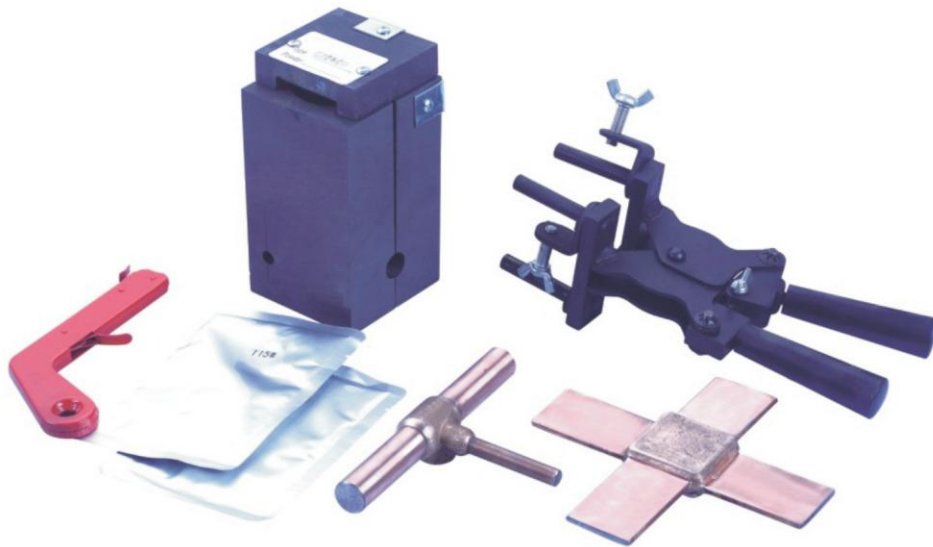
Inspection pit is mainly used for regular resistance measurement of grounding system.



Item No	Size(mm)	Material	Weight(kg)	Breaking load
YJEP-1	280×280×200	PE	1.7	5000
YJEP-2	300×300×200	Cement	30.0	5000
YJEP-3	300×300×200	PVC	5.0	5000

Hot-melt Welding

Hot-melt welding is to melt and weld metal welding parts in a special graphite mold through high-temperature copper liquid produced by chemical reaction (thermite-copper oxide oxidation-reduction reaction), and can be adopted to weld materials with same metal, different metals, different shapes, different directions and different cross-sectional areas. Welding spots are connected in a molecular state after being welded, have excellent electrical performance and corrosion resistance, and have been used in various grounding professional fields in large scale in recent years.



Hot-melt Welding

- Good current loading ability
The welding point current loading ability is the same as conductor.
- Good mechanical performance
The connection is a molecular connection. It is a permanent connection.
- Stable dash current resistance
The test shows that in the surge of big current in short time, the conductor melts earlier than the connection point, so it will not be damaged by surge current.
- Good resistance to corrosion
The welding point is covered by copper, it provides good corrosion resistance.
- Simple and safe connection
Neither extra power nor facility is required. It requires very little time to finish one welding. It can be done both indoor and outdoor.
- Free control of the reaction temperature
Different welding powder is provided according to the metal features, so the welding joint can be very solid.
- Range of application
It is widely used in lightning protection and grounding and surge protection projects, equipment grounding, petrochemical projects, airport and expressway construction.

Hot-melt Welding

