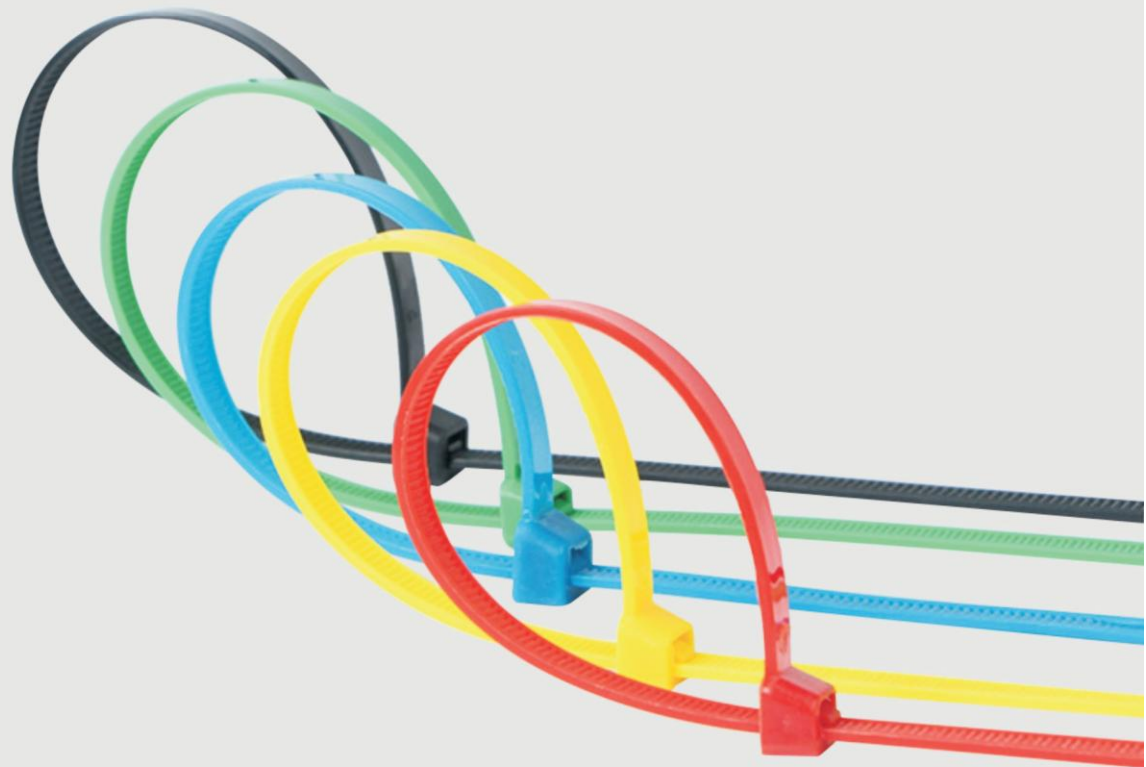


XUCKY

Catalogue

Wenzhou Xucky Electric Co.,Ltd

www.xucky.com



Wiring Accessories And Cable Terminals



CONTENT

WIRING ACCESSORIES

1.SELF-LOCKING NYLON CABLE TIES	01-02
2.RELEASABLE CABLE TIES, DOUBLE LOCKING CABLE TIES	03
3.PUSH MOUNT TIES, BEAD TIES	04
4.CABLE TIE TOOLS	05
5.NAKED STAINLESS STEEL CABLE TIES	06
6.PVC SPRAYED STAINLESS STEEL CABLE TIES (BALL LOCK)	07
7.PVC SPRAYED STAINLESS STEEL CABLE TIES (L BUCKLE LOCK)	08
8.EXPAND PLUGS, R-TYPE CABLE CLAMPS	09
9.SELF-ADHESIVE TIE MOUNTS, SAFETY-TYPE PLASTIC CAP	10
10.SCREW ON WIRE CONNECTORS	11
11.CABLE TIE HOLDER, BUTTON ROUND FLAT TYPE	12
12.CABLE CLIP	12-13
13.CABLE GLAND	15-16
14.TERMINAL BLOCKS	16
15.WIRING DUCT	16-18
16.SPIRAL WRAPPING BANDS, CABLE MARKERS	19

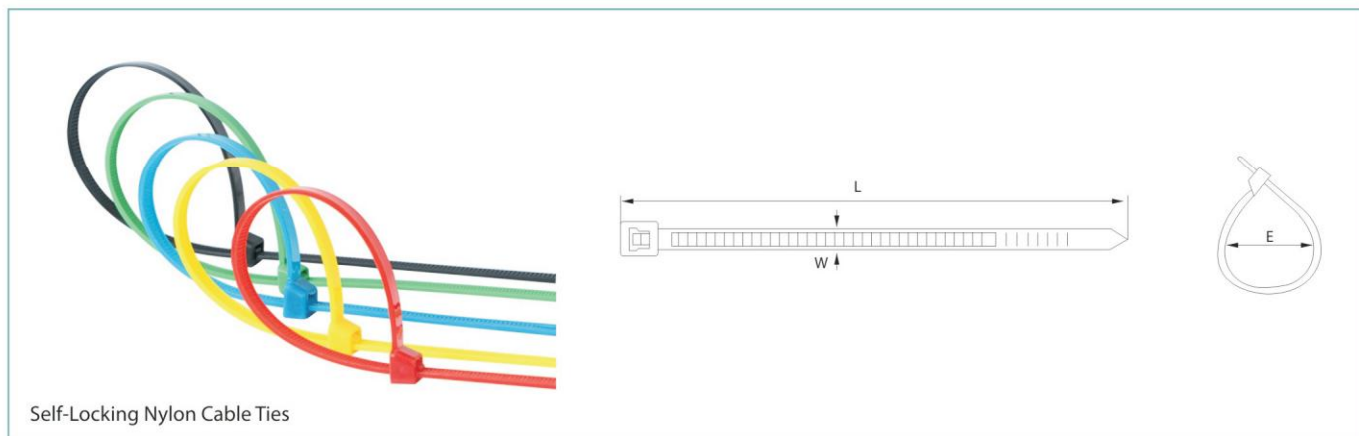
CABLE TERMINALS

1.SV PRE-INSULATED SPADE TERMINALS	20
2.SNB SPADE NAKED TERMINALS	21
3.RV PRE-INSULATED RING TERMINALS	22
4.RNB RING NAKED TERMINALS	23-24
5.PTV PRE-INSULATED PIN TERMINALS	25
6.DBV PRE-INSULATED CHIP-SHAPED TERMINALS	25
7.PTN PIN-SHAPED NAKED TERMINALS	26
8.DBN CHIP- SHAPED NAKED TERMINALS	26
9.BV INSULATED BUTT CONNECTORS	27
10.MDD PRE-INSULATED MALE DISCONNECTORS	27
11.FDD PRE-INSULATED FEMALE DISCONNECTORS	28
12.MPD PRE-INSULATED BUTTET DISCONNECTORS	28
13.FRD, FDFD, FBDD INSULATED DISCONNECTORS	29
14.PBDD FULL VINYL PRE-INSULATED DISCONNECTORS	30
15.TE CREWEL TUBE PRE-INSULATED TERMINALS	30
16.E PRE-INSULATED CORD END TERMINALS	31
17.INSULATING JOINT	32-33
18.COMBINATION OF CABLE TERMINALS	33-34
19.TOOLS	35-37

Self-Locking Nylon Cable Ties

Material: Nylon 66, 94V-2 certified by UL. Heat-resisting, acid & erosion control, insulated well and not apt to age.

- Operating temperature: -35°C to 85°C.
- Color: Natural (or white, standard color), UV black and other colors are available as requested.



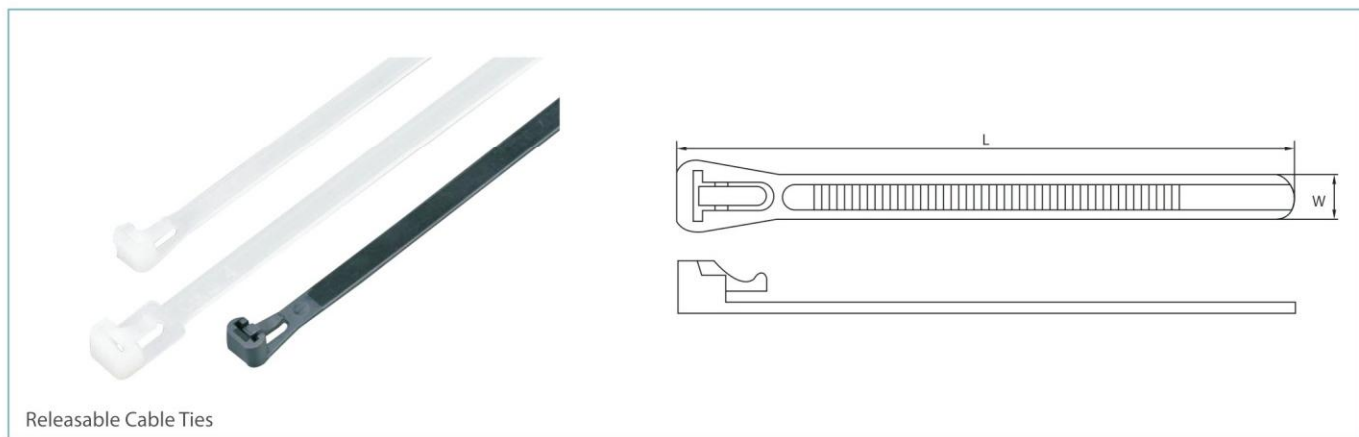
Item No.	L		W(mm)	Bundle Diameter E(mm)	Min. Loop Tensile strength	
	Inch	L(mm)			LBS	KGS
YJ-3×60	2 3/8"	60	2.5	2-11	18	8
YJ-3×80	3 3/16"	80	2.5	2-16	18	8
YJ-3×100	4"	100	2.5	2-22	18	8
YJ-3×120	4 3/4"	120	2.5	2-30	18	8
YJ-3×150	6"	150	2.5	2-35	18	8
YJ-3×160	6 1/4"	160	2.5	2-40	18	8
YJ-3×200	8"	200	2.5	3-50	18	8
YJ-3×250	10"	250	3.0	3-65	18	8
YJ-3×300	12"	300	3.0	3-80	18	8
YJ-4×100	4"	100	3.5	3-22	40	18
YJ-4×120	4 3/4"	120	3.5	3-30	40	18
YJ-4×150	6"	150	3.5	3-35	40	18
YJ-4×160	6 1/4"	160	3.5	3-40	40	18
YJ-4×180	7"	180	3.5	3-42	40	18
YJ-4×200	8"	200	3.5	3-50	40	18
YJ-4×250	10"	250	3.5	3-65	40	18
YJ-4×280	11"	280	3.5	3-70	40	18
YJ-4×300	12"	300	3.5	3-80	40	18
YJ-4×350	14"	350	3.5	3-90	40	18
YJ-4×370	14 1/2"	370	3.5	3-102	40	18
YJ-4×400	16"	400	3.5	3-105	40	18
YJ-4×450	18"	450	3.5	3-130	40	18
YJ-4×500	20"	500	3.5	3-150	40	18

Item No.	L		W(mm)	Bundle Diameter E(mm)	Min. Loop Tensile strength	
	Inch	L(mm)			LBS	KGS
YJ-5x120	4 3/4"	120	4.6	3-24	50	22
YJ-5x150	6"	150	4.6	3-35	50	22
YJ-5x180	7"	180	4.6	3-42	50	22
YJ-5x200	8"	200	4.6	3-50	50	22
YJ-5x250	10"	250	4.6	3-65	50	22
YJ-5x280	11"	280	4.6	3-70	50	22
YJ-5x300	12"	300	4.6	3-82	50	22
YJ-5x350	14"	350	4.6	3-90	50	22
YJ-5x380	15"	380	4.7	3-102	50	22
YJ-5x400	16"	400	4.7	3-105	50	22
YJ-5x450	18"	450	4.7	3-130	50	22
YJ-5x500	20"	500	4.7	3-150	50	22
YJ-5x550	22"	550	4.7	3-160	50	22
YJ-5x650	26"	650	4.7	3-190	50	22
YJ-8x150	6"	150	6.8	3-33	85	38
YJ-8x180	7"	180	6.8	3-42	85	38
YJ-8x200	8"	200	6.8	3-50	85	38
YJ-8x250	10"	250	7.5	4-63	120	55
YJ-8x300	12"	300	7.5	4-82	120	55
YJ-8x350	14"	350	7.5	4-90	120	55
YJ-8x370	14 1/2"	370	7.5	4-98	120	55
YJ-8x400	16"	400	7.5	4-105	120	55
YJ-8x450	18"	450	7.5	4-118	120	55
YJ-8x500	20"	500	7.5	4-150	120	55
YJ-8x550	22"	550	7.5	4-160	120	55
YJ-9x400	16"	400	9.0	8-105	175	80
YJ-9x450	18"	450	9.0	8-118	175	80
YJ-9x500	20"	500	9.0	8-150	175	80
YJ-9x550	22"	550	9.0	8-160	175	80
YJ-9x650	26"	650	9.0	8-190	175	80
YJ-9x700	27 1/2"	700	9.0	10-205	175	80
YJ-9x750	30"	750	9.0	10-220	175	80
YJ-9x900	36"	900	9.0	10-250	175	80
YJ-9x1020	40"	1020	9.0	10-295	175	80
YJ-9x1200	48"	1200	9.0	10-340	175	80
YJ-12x650	26"	650	12.0	14-190	250	110

Releasable Cable Ties

Material: Nylon 66, 94V-2 certified by UL. Heat-resisting, acid & erosion control, insulated well and not apt to age

- Can be reused.
- Operating temperature: -35°C to 85°C.



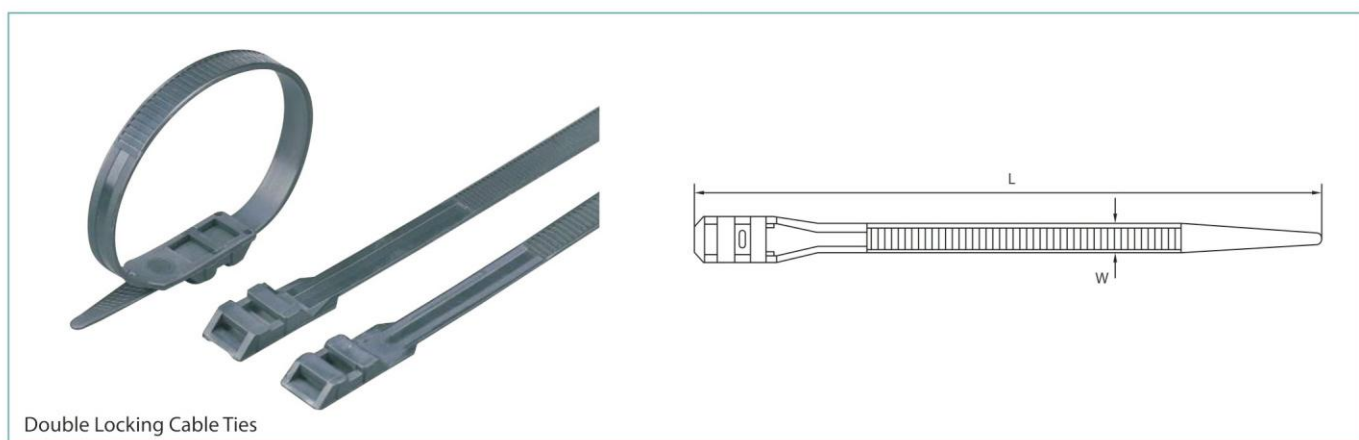
Releasable Cable Ties

Item No.	L		W(mm)	Bundle Diameter E (mm)	Min. Loop Tensile strength	
	Inch	L(mm)			LBS	KGS
YJ-4×150RT	6"	150	3.5	5-35	40	18
YJ-5×200RT	8"	200	4.8	5-50	50	22
YJ-8×150RT	6"	150	7.5	5-35	110	50
YJ-8×200RT	8"	200	7.5	5-50	110	22
YJ-8×250RT	19"	250	7.5	5-60	110	22
YJ-8×300RT	12"	300	7.5	5-75	110	22
YJ-8×350RT	14"	350	7.5	5-90	110	22

Double Locking Cable Ties

Material: Nylon 66, 94V-2 certified by UL. Heat-resisting, acid & erosion control, insulated well and not apt to age.

- Operating temperature: -35°C to 85°C.

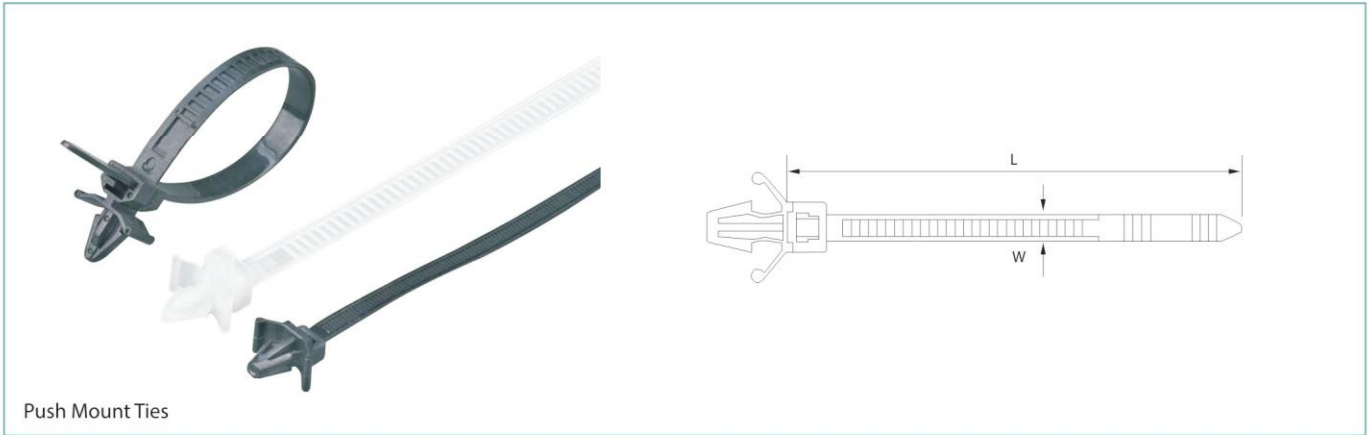


Double Locking Cable Ties

Item No.	L		W(mm)	Bundle Diameter E (mm)	Min. Loop Tensile strength	
	Inch	L(mm)			LBS	KGS
YJ-9×350DL	13 5/8"	350	9	8-90	110	50

Push Mount Ties

Material: Nylon 66, 94V-2 certificated by UL. Heat-resisting, acid & erosion control, insulated well and not apt to age.
 • Operating temperature: -35°C to 85°C.

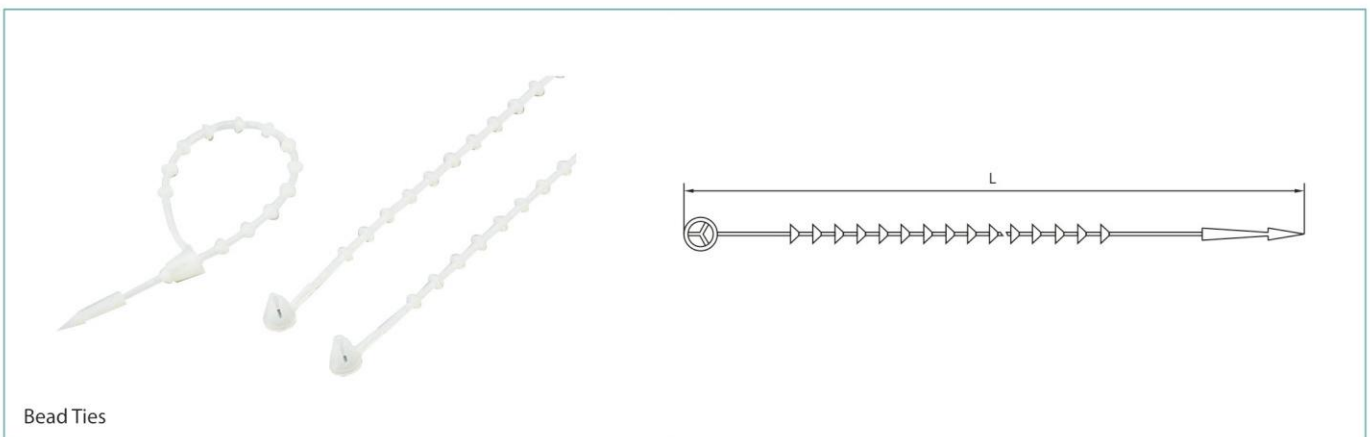


Push Mount Ties

Item No.	W(mm)	L(mm)	Bundle Diameter E (mm)	Tensile strength (KGS)	Approx Hole (mm)
YJ-4.5x210PT	4.5	210	50	30	5.5-6.2

Bead Ties

Material: Nylon 66, 94V-2 certificated by UL. Heat-resisting, acid & erosion control, insulated well and not apt to age.
 • Operating temperature: -35°C to 85°C.



Bead Ties

Item No.	L		Bundle Diameter E(mm)	Min. Loop Tensile strength	
	Inch	L(mm)		LBS	KGS
YJ-100BT	4"	100	2-20	11	5
YJ-120BT	4 3/4"	120	2-30	11	5

Cable Tie Tools

HS-600A

It is suitable for fast bind wire and automatically cut off the rest of the cable tie.

- Cable tie width \leq 4.8mm, Length:50-350mm.
- Material: Metal.



HS-500

It is suitable for fast bind wire and automatically cut off the rest of the cable tie.

- Cable tie width \leq 4.8mm, Length:50-350mm.
- Material: Plastic.



TG-100

It is suitable for Tightening and cutting the cable tie.

- Cable tie width:2.4-4.8mm.



HS-519

It is suitable for fast bind wire and automatically cut off the rest of the cable tie.

- Cable tie width \leq 9.0mm, Length:50-500mm.
- Material: Metal.



QA-001

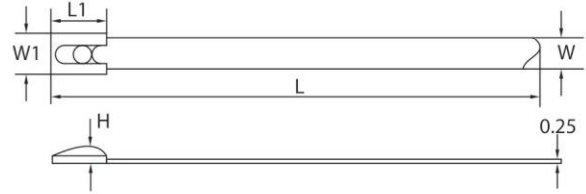
It is suitable for cutting stainless steel cable ties.



Naked Stainless Steel Cable Ties

Material: 304/316 steel.

- It is suitable for humid, high temperature and other indoor and outdoor cables.
- Anti-wear, anti-corrosion, anti-radiation and fire proof.

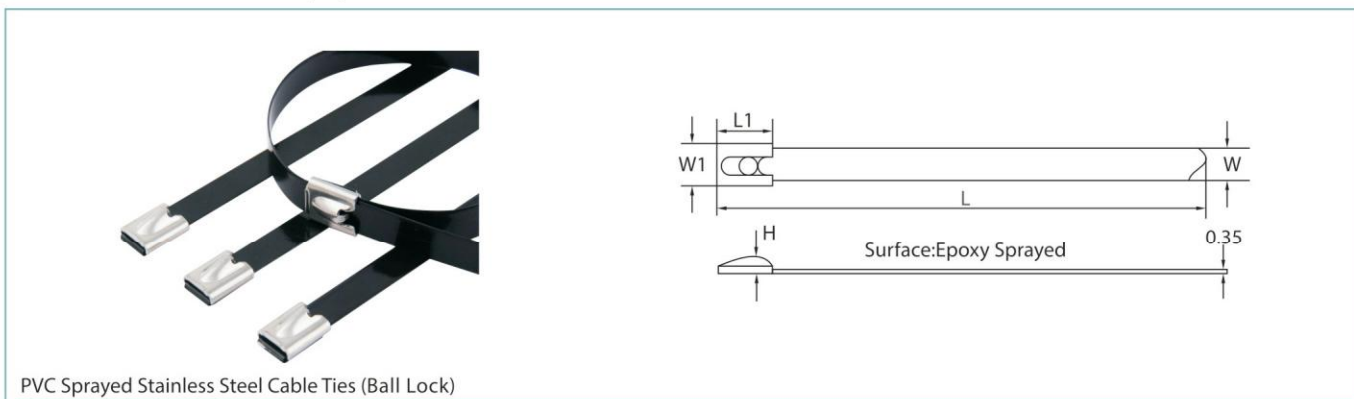


Naked Stainless Steel Cable Ties

Item No.	L		W(mm)	Thickness (mm)	Bundle Diameter E (mm)	Min. Loop Tensile strength	
	Inch	L(mm)				LBS	KGS
YJ-G-4.6×100	4"	100	4.6	0.25	23	122	55
YJ-G-4.6×150	6"	150	4.6	0.25	38	122	55
YJ-G-4.6×200	8"	200	4.6	0.25	52	122	55
YJ-G-4.6×250	10"	250	4.6	0.25	68	122	55
YJ-G-4.6×300	12"	300	4.6	0.25	84	122	55
YJ-G-4.6×350	14"	350	4.6	0.25	103	122	55
YJ-G-4.6×400	16"	400	4.6	0.25	114	122	55
YJ-G-4.6×450	18"	450	4.6	0.25	118	122	55
YJ-G-4.6×500	20"	500	4.6	0.25	148	122	55
YJ-G-4.6×600	24"	600	4.6	0.25	178	122	55
YJ-G-4.6×700	28"	700	4.6	0.25	198	122	55
YJ-G-4.6×800	32"	800	4.6	0.25	240	122	55
YJ-G-4.6×900	36"	900	4.6	0.25	270	122	55
YJ-G-4.6×1000	40"	1000	4.6	0.25	305	122	55
YJ-G-4.6×1200	48"	1200	4.6	0.25	371	122	55
YJ-G-4.6×1300	52"	1300	4.6	0.25	403	122	55
YJ-G-8.0×150	6"	150	7.9	0.25	38	180	80
YJ-G-8.0×175	7"	175	7.9	0.25	42	180	80
YJ-G-8.0×200	8"	200	7.9	0.25	52	180	80
YJ-G-8.0×250	10"	250	7.9	0.25	68	180	80
YJ-G-8.0×300	12"	300	7.9	0.25	84	180	80
YJ-G-8.0×350	14"	350	7.9	0.25	103	180	80
YJ-G-8.0×400	16"	400	7.9	0.25	114	180	80
YJ-G-8.0×450	18"	450	7.9	0.25	118	180	80
YJ-G-8.0×500	20"	500	7.9	0.25	148	180	80
YJ-G-8.0×600	24"	600	7.9	0.25	178	180	80
YJ-G-8.0×800	32"	800	7.9	0.25	198	180	80
YJ-G-8.0×1000	40"	1000	7.9	0.25	240	180	80
YJ-G-8.0×1100	44"	1100	7.9	0.25	270	180	80
YJ-G-8.0×1200	48"	1200	7.9	0.25	305	180	80
YJ-G-8.0×1300	52"	1300	7.9	0.25	370	180	80
YJ-G-8.0×1400	56"	1400	7.9	0.25	403	180	80

PVC Sprayed Stainless Steel Cable Ties (Ball Lock)

Material: 304/316 steel and PVC sprayed on the surface.

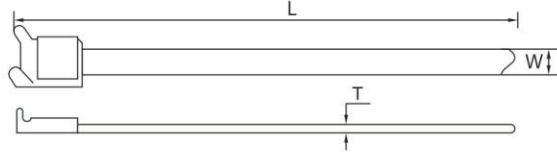


PVC Sprayed Stainless Steel Cable Ties (Ball Lock)

Item No.	L		W(mm)	Thickness (mm)	Bundle Diameter E (mm)	Min. Loop Tensile strength	
	Inch	L(mm)				LBS	KGS
YJ-G-4.6×100	4"	100	4.6	0.35	23	132	60
YJ-G-4.6×150	6"	150	4.6	0.35	38	132	60
YJ-G-4.6×200	8"	200	4.6	0.35	52	132	60
YJ-G-4.6×250	10"	250	4.6	0.35	68	132	60
YJ-G-4.6×300	12"	300	4.6	0.35	84	132	60
YJ-G-4.6×350	14"	350	4.6	0.35	103	132	60
YJ-G-4.6×400	16"	400	4.6	0.35	114	132	60
YJ-G-4.6×450	18"	450	4.6	0.35	118	132	60
YJ-G-4.6×500	20"	500	4.6	0.35	148	132	60
YJ-G-4.6×600	24"	600	4.6	0.35	178	132	60
YJ-G-4.6×700	28"	700	4.6	0.35	198	132	60
YJ-G-4.6×800	32"	800	4.6	0.35	240	132	60
YJ-G-4.6×900	36"	900	4.6	0.35	270	132	60
YJ-G-4.6×1000	40"	1000	4.6	0.35	305	132	60
YJ-G-4.6×1200	48"	1200	4.6	0.35	371	132	60
YJ-G-4.6×1300	52"	1300	4.6	0.35	403	132	60
YJ-G-8.0×150	6"	150	7.9	0.35	38	186	85
YJ-G-8.0×175	7"	175	7.9	0.35	42	186	85
YJ-G-8.0×200	8"	200	7.9	0.35	52	186	85
YJ-G-8.0×250	10"	250	7.9	0.35	68	186	85
YJ-G-8.0×300	12"	300	7.9	0.35	84	186	85
YJ-G-8.0×350	14"	350	7.9	0.35	103	186	85
YJ-G-8.0×400	16"	400	7.9	0.35	114	186	85
YJ-G-8.0×450	18"	450	7.9	0.35	118	186	85
YJ-G-8.0×500	20"	500	7.9	0.35	148	186	85
YJ-G-8.0×600	24"	600	7.9	0.35	178	186	85
YJ-G-8.0×800	32"	800	7.9	0.35	198	186	85
YJ-G-8.0×1000	40"	1000	7.9	0.35	240	186	85
YJ-G-8.0×1100	44"	1100	7.9	0.35	270	186	85
YJ-G-8.0×1200	48"	1200	7.9	0.35	305	186	85
YJ-G-8.0×1300	52"	1300	7.9	0.35	371	186	85
YJ-G-8.0×1400	56"	1400	7.9	0.35	403	186	85

PVC Sprayed Stainless Steel Cable Ties (L Buckle Lock)

Material: 304/316 steel and PVC sprayed on the surface.

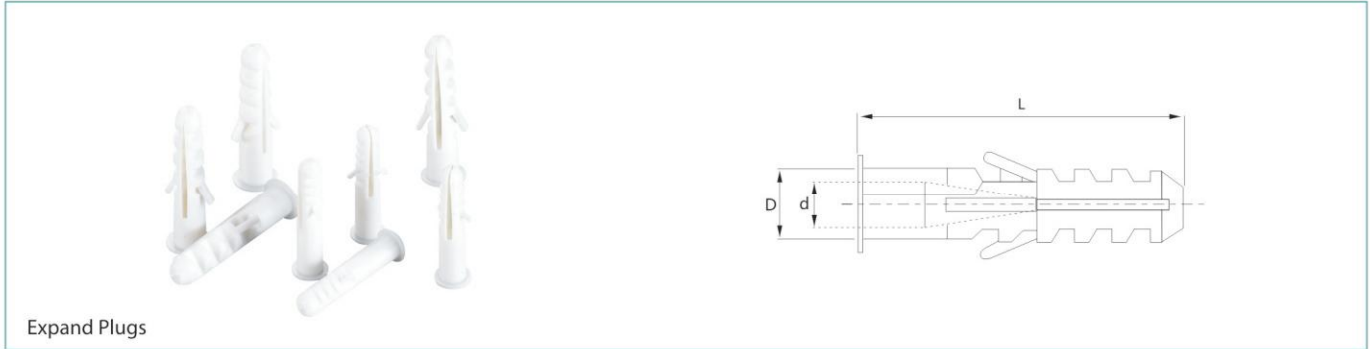


PVC Sprayed Stainless Steel Cable Ties (L Buckle Lock)

Item No.	L		W(mm)	Thickness(mm)	Bundle Diameter E (mm)
	Inch	L(mm)			
YJ-L-8x150	6"	150	7.9	0.35	38
YJ-L-8x200	8"	200	7.9	0.35	52
YJ-L-8x250	10"	250	7.9	0.35	68
YJ-L-8x300	12"	300	7.9	0.35	84
YJ-L-8x400	16"	400	7.9	0.35	114
YJ-L-8x500	20"	500	7.9	0.35	148
YJ-L12x150	6"	150	12.0	0.35	38
YJ-L12x200	8"	200	12.0	0.35	52
YJ-L12x250	10"	250	12.0	0.35	68
YJ-L12x300	12"	300	12.0	0.35	84
YJ-L12x350	14"	350	12.0	0.35	103
YJ-L12x400	16"	400	12.0	0.35	114
YJ-L12x450	18"	450	12.0	0.35	118
YJ-L12x500	20"	500	12.0	0.35	148
YJ-L12x600	24"	600	12.0	0.35	178
YJ-L12x700	28"	700	12.0	0.35	198
YJ-L12x800	32"	800	12.0	0.35	240
YJ-L12x900	36"	900	12.0	0.35	270
YJ-L16x300	12"	300	16.0	0.35	84
YJ-L16x350	14"	350	16.0	0.35	103
YJ-L16x400	16"	400	16.0	0.35	114
YJ-L16x450	18"	450	16.0	0.35	118
YJ-L16x500	20"	500	16.0	0.35	148
YJ-L16x550	22"	550	16.0	0.35	160
YJ-L16x600	24"	600	16.0	0.35	178
YJ-L16x650	26"	650	16.0	0.35	185
YJ-L16x700	28"	700	16.0	0.35	198
YJ-L16x750	30"	750	16.0	0.35	220
YJ-L16x800	32"	800	16.0	0.35	240
YJ-L16x850	34"	850	16.0	0.35	255
YJ-L16x900	36"	900	16.0	0.35	270
YJ-L16x1000	40"	1000	16.0	0.35	305

Expand Plugs

Material: PE Color: white, Grey.



Expand Plugs

Item No.	L(mm)	D(mm)	d(mm)
YJEN-06	29.8	6.0	4.9
YJEN-08	38.6	7.9	5.3
YJEN-10	42.7	9.9	5.8
YJEN-12	47.9	11.6	6.3

R-type Cable Clamps

Material: Nylon 66, 94V-2 certified by UL.

• Usage: put cable in fix by screw.



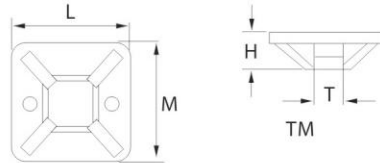
R-type Cable Clamps

Item No.	A(mm)	B(mm)	C(mm)		D(mm)
			mm	Inch	
YJS-1/8 "	9.5	9.0	3.3	1/8 "	17.0
YJS-3/16"	10.5	9.6	5.5	3/16"	18.5
YJS-1/4"	12.0	9.6	6.4	1/4"	21.0
YJS-5/16"	12.5	9.6	8.4	5/16"	22.8
YJS-3/ 8'	13.5	9.6	10.4	3/ 8'	23.8
YJS-1/2"	13.5	9.6	12.7	1/2"	25.8
YJS-5/8"	16.5	9.6	15.8	5/8"	30.5
YJS-3/4"	17.0	12.0	19.0	3/4"	35.5
YJS-1"	26.0	13.0	25.0	1"	44.0

Self-adhesive Tie Mounts

It is used to bundle wires and other things save time and convenient, used for the wall which can't be made a hole in.

- Material: Nylon 66, 94V-2 certified by UL, the back attached sponge glue imported.
- Usage: Peel the sponge glue and stick on the wall then, bundle the wire with cable ties.



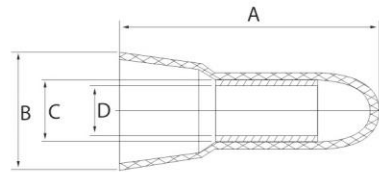
Self-adhesive Tie Mounts

Item No.	L×W(mm)	H(mm)	T(mm)	SCREW HOLE(mm)
YJTM-20	20×20	6.1	5.0	2.9
YJTM-25	25×25	7.5	6.2	3.5
YJTM-30	30×30	8.7	6.4	4.5
YJTM-40	40×40	6.4	10.8	/

Safety-type Plastic Cap

Material: Nylon 66, 94V-2 certified by UL.

- Usage: peel coat of wire, then insert to tube, use pliers for compressing fix them tightly.
- Feature: nylon shell, long copper tube, easy to conduct electricity and hold wire tightly.



Safety-type Plastic Cap

Item No.	A(mm)	Width		D(mm)	Suitable Wire		Packing
		B(mm)	C(mm)		mm ²	AWG	
YJS-Q3	18.5	9.0	3.6	2.5	1.25	22-16	100PCS&1000PCS
YJS-Q4	20.0	9.2	3.9	2.9	2.0	16- 14	100PCS&1000PCS
YJS-Q5	22.3	11.0	4.8	3.9	5.5	12-10	100PCS&1000PCS
YJS-Q6	25.0	12.2	5.6	4.5	8.0	9-8	100PCS&1000PCS
YJS-Q8	25.5	14.3	7.5	6.4	13.0	6-5	100PCS&500PCS
YJS-Q10	29.5	16.2	9.3	8.2	15.0	5-4	100PCS&500PCS

YJS Screw on Wire Connectors

It is used to peel wire coat, insert wire in, then tighten.

- Material: Nylon 66, 94V-2 certificated by UL and spring inside.



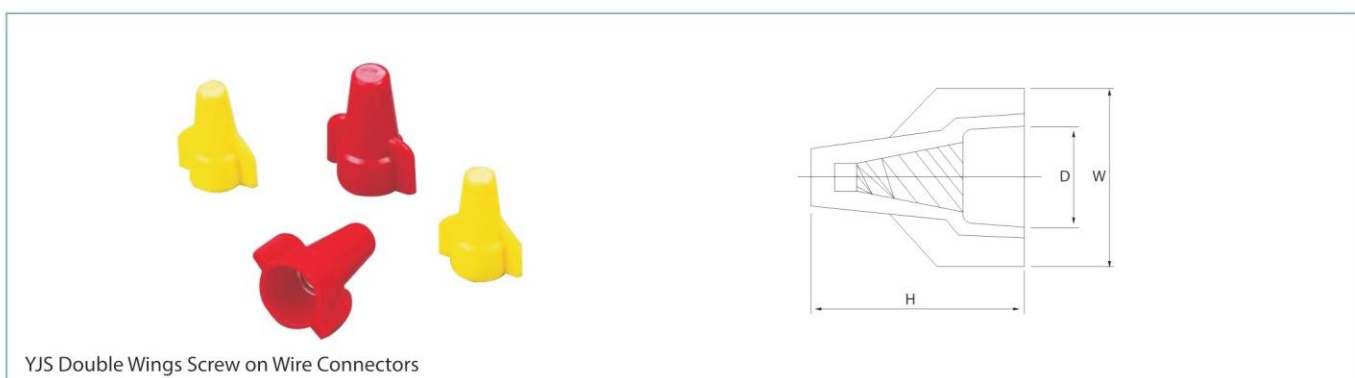
YJS Screw on Wire Connectors

Item No.	H(mm)	W(mm)	D(mm)	Suitable Wires	Color	Packing
YJS-P71	15.0	8.7	6.5	MIN#20×1+ #22×1 MAX#16×2	Grey	100PCS
YJS-P72	18.0	10.0	7.5	MIN#20×3 MAX#16×3	Blue	100PCS
YJS-P73	23.0	11.2	9.5	MIN#20×3 MAX#16×3+ #18×1	Orange	100PCS
YJS-P74	24.0	13.6	10.8	MIN#14×3+ #18×1 MAX#14×4+ #18×1	Yellow	100PCS
YJS-P75	28.0	16.1	12.7	MIN#14×2 MAX#10×2+ #12×2	Red	100PCS
YJS-P78	30.2	17.2	14.8		Grey	100PCS

YJS Double Wings Screw on Wire Connectors

It is used to peel wire coat, insert wire in, then tighten.

- Material: Nylon 66, 94V-2 certificated by UL and spring inside.

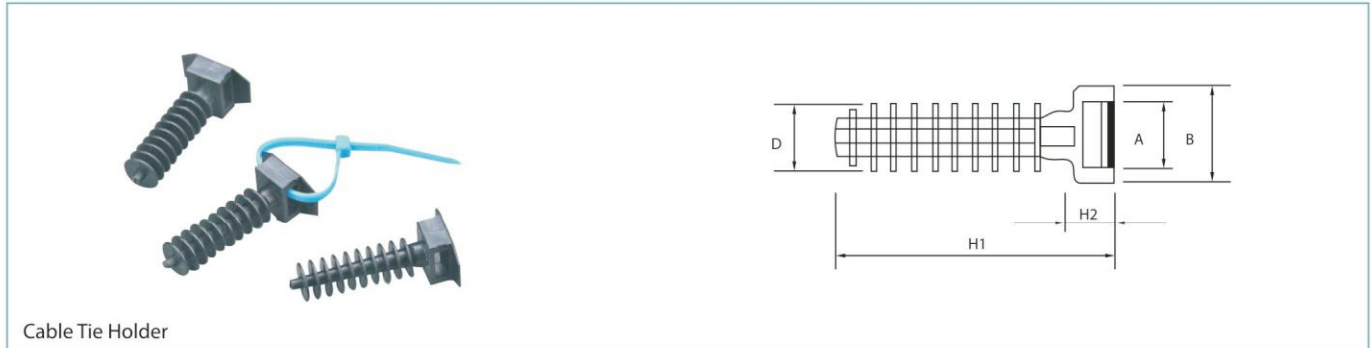


YJS Double Wings Screw on Wire Connectors

Item No.	H(mm)	W(mm)	D(mm)	Suitable Wires	Color	Packing
YJS-P1	22.0	19.0	9.8	MIN#18X2 MAX#12X3	Yellow	100PCS
YJS-P2	29.0	22.0	12.5	MIN#14X2 MAX#10X4	Red	100PCS

Cable Tie Holder

Material: PE Color: white, Black.



Cable Tie Holder

Item No.	A(mm)	B(mm)	H1(mm)	H2(mm)	D(mm)
YJC-1	10	14.8	40.2	5.9	10

Button Round Flat Type

Item No.	H(mm)	Diameter (mm)	Nail Size	Color
Round Type	4.8	7.4	1.7×16	White
Flat Type	3.3	12(L)×6(W)	1.7×16	

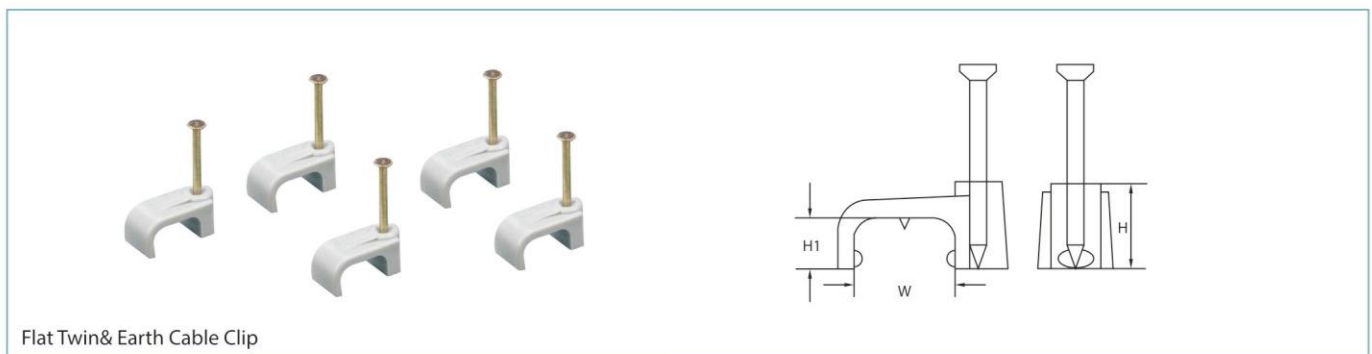


Button Round Flat Type

Flat Twin& Earth Cable Clip

It is used to put the cable under the clip and hammer the nail into wall to secure the cable .

• Material: PP, steel nail. Application: securing of cable for general indoor wiring.



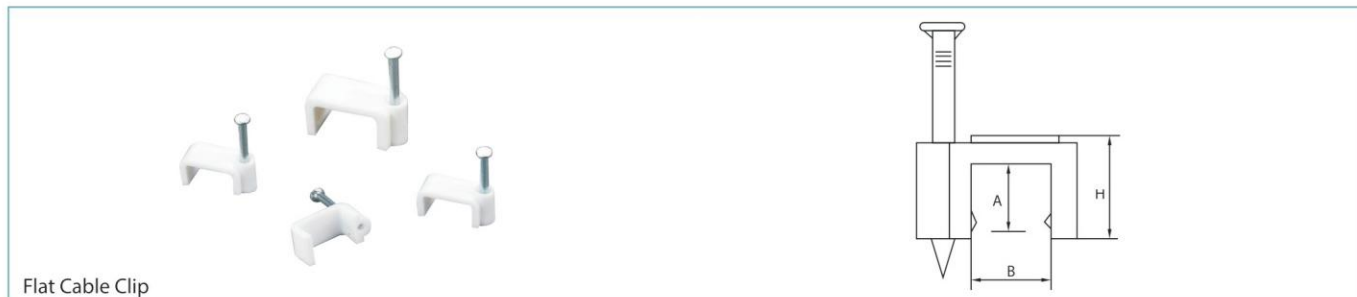
Flat Twin& Earth Cable Clip

Item No.	H (mm)	H1 (mm)	W (mm)	Nail Size (mm)	Packing
YJS-1.5m,n'	6.2	4.5	8.0	2×20	100pcs/ pack
YJS-2.5m,n'	7.2	5.6	10.0	2×20	
YJS-4.0,mn'	9.5	6.5	11.5	2×24	
YJS-6.0mm'	10.5	7.2	13.0	2×27	
YJS-10.0.nm1	10.7	8.3	17.0	2.2×27	
YJS-16nm2	13.5	10.0	20.0	2.4×34	

Flat Cable Clip

It is used to put the cable under the clip and hammer the nail into wall to secure the cable .

- Material: PP, steel nail. Application: securing of cable for general indoor wiring.



Flat Cable Clip

Item No.	H (mm)	R (mm)	A (mm)	Nail Size (mm)	Color
YJS-4MM	6.0	4	3.8	1.7×14	White Grey Black brown Dark Grey
YJS-5MM	6.0	5	3.8	1.7×14	
YJS-6MM	6.5	6	4.1	1.7×16	
YJS-7MM	7.0	7	4.7	1.7×16	
YJS-8MM	7.5	8	5.0	1.8×17	
YJS-9MM	8.3	9	5.4	1.9×17	
YJS-10MM	8.6	10	5.7	2.0×20	
YJS-12MM	9.0	12	6.1	2.1×22	
YJS-14MM	10.0	14	7.0	2.1×22	

Round Cable Clip

It is used to put the cable under the clip and hammer the nail into wall to secure the cable .

- Material: PP, steel nail. Application: securing of cable for general indoor wiring.



Round Cable Clip

Type	Item No.	W(mm)	Diameter(mm)	Nail Size	Color
A	YJC-0406	4-6	6	1.7×16	White Grey Black Brown Dork Grey
	YJC-0407	4-7	7	1.7×16	
	YJC-0607	6-7	9	1.9×19	
	YJC--0812	8-12	12	2.1×25	
	YJC-1216	12-16	16	2.3×30	
	YJC-1619	16-19	22	2.5×38	
	YJC-2025	20-25	25	2.5×45	
B	YJC-0508	5-8	8	2.8×18	
	YJC-0610	6-10	10	2.0×22	

Round Cable Clip

It is used to put the cable under the clip and hammer the nail into wall to secure the cable .

- Material: PP, steel nail.
- Application: securing of cable for general indoor wiring.



Round Cable Clip

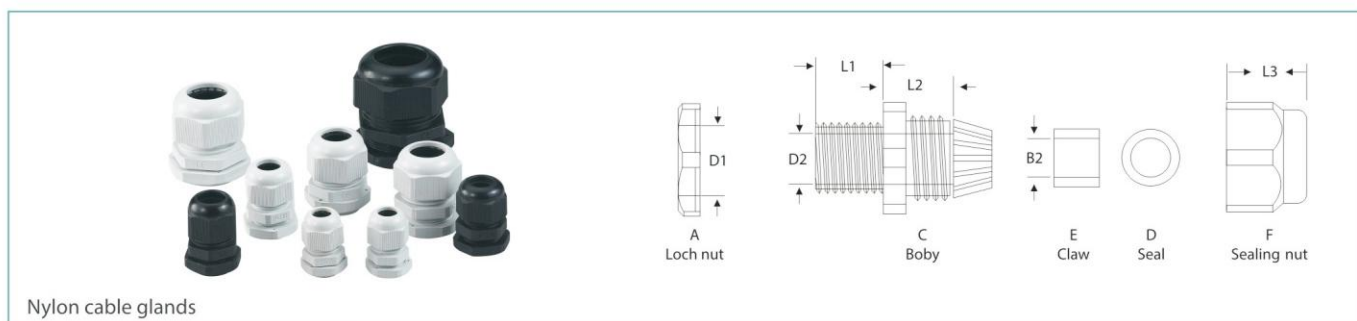
Circle Cable Clips

Item No.	Height(mm)		Diameter (mm)	Nail Size	Color
	High(H)	High(H ₁)			
YJR-3.5MM	4.0	3.3	3.5	1.6×14	White Grey Black brown Dark Grey
YJR-4MM	6.5	4.2	4.0	1.7×14	
YJR-5MM	7.6	5.3	5.0	1.7×14	
YJR-6MM	9.0	6.6	6.0	1.7×16	
YJR-7MM	11.0	7.2	7.0	1.7×16	
YJR-8MM	11.5	8.6	8.0	1.8×18	
YJR-9MM	12.0	9.0	9.0	1.9×19	
YJR-10MM	13.4	10.5	10.0	2.0×22	
YJR-12MM	16.0	12.5	12.0	2.1×25	
YJR-14MM	20.5	15.6	14.0	2.2×27	
YJR-16MM	21.7	17.0	16.0	2.3×30	
YJR-18MM	23.5	18.5	18.0	2.5×32	
YJR-20MM	23.5	18.5	20.0	2.5×38	
YJR-22MM	27.8	22.5	22.0	2.7×40	
YJR-25MM	31.6	26.0	25.0	2.8×45	
YJR-30MM	32.6	30.0	30.0	3.0×55	
YJR-32MM	40.0	33.5	32.0	3.2×55	
YJR-35MM	42.0	41.5	35.0	3.5×55	
YJR-40MM	45.0	42.5	40.0	3.5×60	
YJR-50MM	53.0	50.0	50.0	5.0×90	

Nylon cable glands

It is used for machinery control box, distribution plate, machine and electrical, etc.

- Material: Nylon 66, 94V-2 certificated by UL and tight ring from rubber.
- Special designation, good tension strength and none damage to electrical machine.
- Cable can be inserted through directly then tighten easy and save time.
- Protection degree: IP68
- Ambient temperature:static-40°C to 100°C, dynamic-21°C to 80°C, short time to 100°C.
- Color: Black, Grey, other color



Nylon cable glands

Item No.	Cable range (mm)	D1(mm)	D2	Panel mounting (mm)	L1(mm)	L2(mm)	A(mm)
PG-12	7.6-4.6	12	M16X1.5	12.5	8.5	16.0	19.0
PG-16	10-6	16	M20X1.5	16.5	15.0	19.5	24.0
PG-20	14-9	20	M25X1.5	20.5	15.0	21.5	30.0
PG-25	18-13	25	M31X2	25.5	15.0	24.5	36.0
PG-32	25-18	32	M38X2	33.0	15.0	27.5	46.0
PG-40	30-24	40	M46X2	41.0	20.0	31.0	54.0
PG-50	39-30	50	M58X2	51.0	23.0	37.0	67.0
PG-63	48.5-40	63	M72X2	64.0	24.0	42.0	81.5

Brass Cable Gland PG Thread Type

Material: Brass with nickel plated.



Brass Cable Gland PG Thread Type

Item No.	Cable range (mm)	Thread O.D. (mm)	Mounting hole diameter (mm)	Thread length GL (mm)	Joint length H (mm)	Spanner size (mm)
PG-7	6.5-3	12.5	12.5-12.7	7	19	14
PG-9	8-4	15.2	15.2-15.4	8	20	17
PG-11	10-5	18.6	18.6-18.8	8	21	20/21
PG-13.5	12-6	20.4	20.4-20.6	8	22	22
PG-16	14-10	22.5	22.5-22.7	9	23	24
PG-19	14-10	25	25-25.2	9	25	24/27
PG-21	18-13	28.3	28.3-28.5	9	27	30
PG-25	22-15	32	32-32.2	10	29	35
PG-29	25-18	37	37-37.2	11	31	40
PG-36	33-25	47	47-47.2	12	27	50
PG-42	38-32	54	54-54.2	13	38	57
PG-48	44-37	59.3	59.3-59.5	14	38	64
PG-63	52-42	72	72-72.2	15	42	77

Brass Cable Gland Metric Thread Type

Material: Brass with nickel plated.

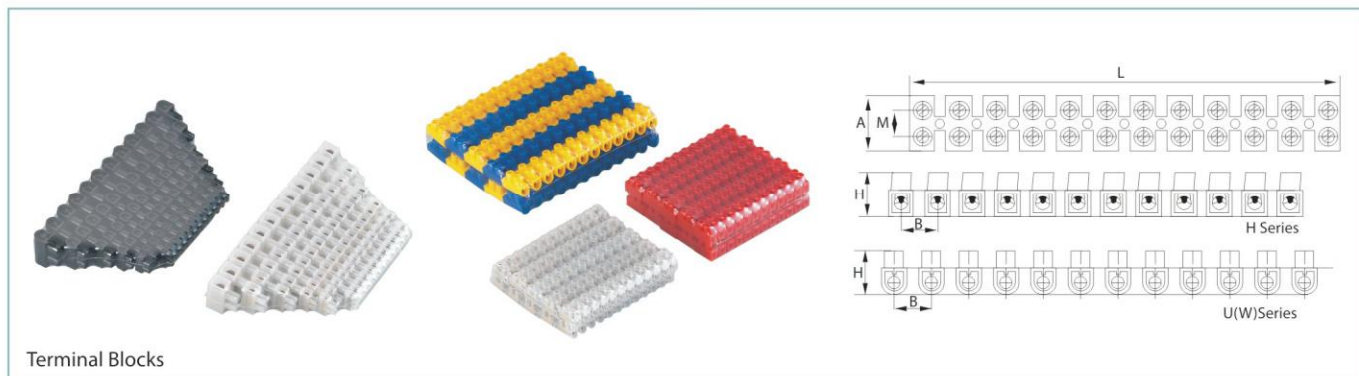


Item No.	Cable range (mm)	Thread O.D. (mm)	Mounting hole diameter (mm)	Thread length GL (mm)	Joint length H (mm)	Spanner size (mm)
M8X1	5.5-2	8	8-8.2	5	16	12
M10X1	6.5-3	10	10-10.2	7	19	14
M12X1.5	6.5-3	12	12-12.2	7	19	14
M14X1.6	8-4	14	14-14.2	7	19	17
M16X1.5	8-4	16	16-16.2	8	20	18
M18X1.5	10-5	18	18-18.2	8	21	20
M20X1.5	10-5	20	20-20.2	8	22	22
M22X1.5	14-10	22	22-22.2	8	23	24
M24X1.5	14-10	24	24-24.2	9	25	24/27
M25X1.5	14-10	25	25-25.2	9	25	24/27
M27X1.5	18-13	27	27-27.2	9	27	30
M28X1.5	18-13	27	28-28.2	9	27	30
M30X1.5	18-13	30	30-30.2	9	29	30/32
M32X1.5	22-15	32	32-32.2	10	29	35
M33X1.5	22-15	33	33-33.2	10	29	35
M36X1.5	25-18	36	36-36.2	10	31	40
M37X1.5	25-18	37	37-37.2	10	31	40
M40X1.5	25-18	40	40-40.2	11	31	40/45
M42X1.5	30-22	42	42-42.2	11	35	45
M47X1.5	33-25	47	47-47.2	11	37	50
M48X1.5	33-25	48	48-48.2	11	37	50/52
M50X1.5	38-32	50	50-50.2	12	37	50/55
M54X1.5	38-32	54	54-54.2	12	38	57
M56X1.5	38-32	56	56-56.2	12	38	57/59
M60X1.5	44-37	60	60-60.2	13	38	64
M63X1.5	44-37	63	63-63.2	13	38	64/68
M64X1.5	44-37	64	64-64.2	13	38	64/68
M72X2	52-42	72	72-72.2	15	42	77
M75X2	52-42	75	75-75.2	15	42	77
M80X2	62-55	80	80-80.2	15	45	88
M88X2	70-65	88	88-88.2	15	45	94
M100X2	84-78	100	100-100.2	15	45	110

Terminal Blocks

Terminal Blocks H, U(W) V(F) Type

- Material: made from PA, PE or PP.



Item No.	L(mm)	W(mm)	H(mm)	A(mm)	B(mm)	Connecting wire (mm ²)	Voltage	Amp	Packing
YJTBS-3A	90.3	15.5	10.8	6.0	8.0	4	400V	3A	10pcs
YJTBS-6A	110.7	15.5	12.5	6.5	9.5	6	400V	6A	
YJTBS-10A	117.5	20.0	15.0	8.4	10.5	10	400V	10A	
YJTBS-16A	137.5	22.0	17.0	10.2	12.0	12	400V	16A	
YJTBS-20A	155.0	25.0	19.2	11.5	13.5	14	400V	20A	
YJTBS-30A	166.7	25.5	20.0	12.0	14.5	16	400V	30A	
YJTBS-60A	188.0	29.0	23.5	13.5	16.5	25	400V	60A	
YJTBS-80A	205.0	33.0	27.0	15.0	17.0	35	400V	80A	
YJTBS-100A	250.0	46.0	31.0	22.0	21.0	40	400V	100A	

Wiring Duct (Round)

Material: PVC White.

- Good insulation and heat-resisting up to 85°C.
- Struction: made up of duct bottom and lid with two-holes designed at the bottom .

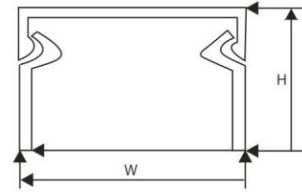


Item No.	W(mm)	H(mm)	Length
YJTD-2	20	6	IM
YJTD-3	30	8	
YJTD-4	40	10	
YJTD-5	50	11	
YJTD-6	60	13	
YJTD-7	70	18	

Wiring Duct (Solid)

Material: PVC White.

- Good insulation and heat-resisting up to 85°C.
- Struction: made up of duct bottom and lid with two-holes designed at the bottom.



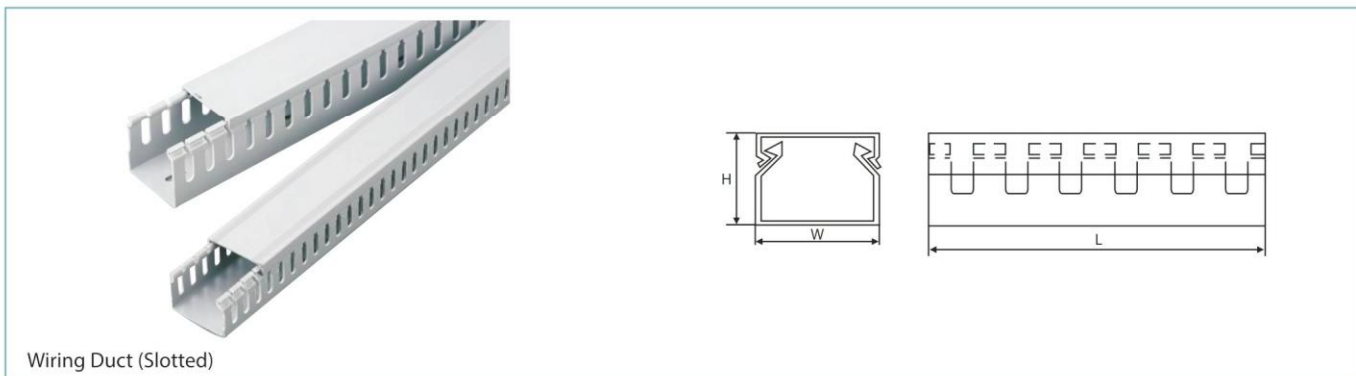
Wiring Duct (Solid)

Item No.	H×W(mm)	Wire capacity	Length
YJPZC-1015	10×15	2-5PCS	2M Can be produced according to customer's requirements.
YJPZC-1020	10×20	3-6PCS	
YJPZC-1025	10×25	5-10PCS	
YJPZC-1035	10×35	10-15PCS	
YJPZC-1520	15×20	5-10PCS	
YJPZC-1525	15×25	5-10PCS	
YJPZC-1535	15×35	10-20PCS	
YJPZC-1616	16×16	5-10PCS	
YJPZC-2030	20×30	10-20PCS	
YJPZC-2035	20×35	10-25PCS	
YJPZC-2040	20×40	15-25PCS	
YJPZC-2050	20×50	20-25PCS	
YJPZC-2540	25×40	20-40PCS	
YJPZC-3050	30×50	25-50PCS	
YJPZC-3060	30×60	55-65PCS	
YJPZC-3080	30×80	75-85PCS	
YJPZC-30100	30×100	130-150PCS	
YJPZC-4060	40×60	30-60PCS	
YJPZC-5080	50×80	180-200PCS	
YJPZC-50100	50×100	200-250PCS	
YJPZC-60100	60×100	220-280PCS	
YJPZC-8080	80×80	240-290PCS	
YJPZC-80100	80×100	260-350PCS	
YJPZC-100100	100×100	280-400PCS	

Wiring Duct (Slotted)

Material: PVC.

- Good insulation and heat-resisting up to 85°C.
- Struction: made up of duct bottom and lid with two-holes designed at the bottom.
- General color:Blue Grey and length 2m/pcs.



Item No.	HxW(mm)	Wire capacity	HxW(mm)	H x W	Wire capacity
YJPxC-2015	20x15	5-10PCS	YJPxC-5040	50x40	60-70PCS
YJPxC-2020	20x20	10-15PCS	YJPxC-5045	50x45	70-85PCS
YJPxC-2025	20x25	10-20PCS	YJPxC-5050	50x50	90-100PCS
YJPxC-2525	25x25	10-25PCS	YJPxC-5055	50x55	100-110PCS
YJPxC-3015	30x15	5-15PCS	YJPxC-5060	50x60	95-105PCS
YJPxC-3020	30x20	10-20PCS	YJPxC-5080	50x80	180-200PCS
YJPxC-3025	30x25	15-25PCS	YJPxC-50100	50x100	220-2500PCS
YJPxC-3030	30x30	20-30PCS	YJPxC-6025	60x25	100-110PCS
YJPxC-3035	30x35	30-45PCS	YJPxC-6035	60x35	90-100PCS
YJPxC-3040	30x40	35-50PCS	YJPxC-6050	60x50	120-130PCS
YJPxC-3050	30x50	45-60PCS	YJPxC-6060	60x60	130-140PCS
YJPxC-3525	35x25	25-35PCS	YJPxC-6080	60x80	150-160PCS
YJPxC-3530	35x30	30-40PCS	YJPxC-60100	60x100	170-180PCS
YJPxC-3535	35x35	40-55PCS	YJPxC-6565	65x65	140-160PCS
YJPxC-3450	35x40	45-60PCS	YJPxC-8025	80x25	150-170PCS
YJPxC-4025	40x25	20-40PCS	YJPxC-8035	80x35	160-180PCS
YJPxC-4030	40x30	35-50PCS	YJPxC-8045	80x45	180-200PCS
YJPxC-4035	40x35	40-50PCS	YJPxC-8050	80x50	200-220PCS
YJPxC-4040	40x40	45-55PCS	YJPxC-8055	80x55	240-290PCS
YJPxC-4545	45x45	50-80PCS	YJPxC-8060	80x60	250-310PCS
YJPxC-5020	50x20	20-40PCS	YJPxC-8080	80x80	280-350PCS
YJPxC-5025	50x25	25-45PCS	YJPxC-80100	80x100	300-400PCS
YJPxC-5030	50x30	30-55PCS	YJPxC-10050	100x50	250-350PCS
YJPxC-5035	50x35	50-60PCS	YJPxC-100100	100x100	320-420PCS

Spiral Wrapping Bands

It is used to protect electric wire wear and tear. For usage of insulation.

- Material: Made by PE.
- Fix one end with safety belt first, then circle the wires clock wires to made them tighten.



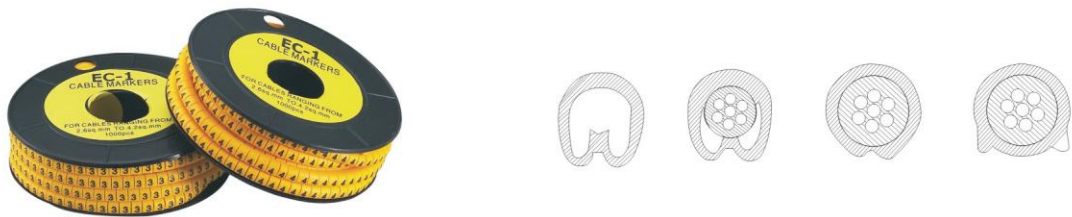
Spiral Wrapping Bands

Item No.	d(mm)	D(mm)	W(mm)	Wrapping range	Packing
YJSWB-04	3.0	4	6.0	3-40	10m/roll
YJSWB-06	4.0	6	7.0	4-50	
YJSWB-08	6.0	8	10.8	6-60	
YJSWB-10	7.5	10	11.4	7.5-60	
YJSWB-12	9.0	12	13.9	9-65	
YJSWB-15	12.0	15	15.0	12-75	
YJSWB-19	15.0	19	18.2	15-100	
YJSWB-24	20.0	24	19.6	20-130	

Cable Markers

It is used to protect electric wire wear and tear. For usage of insulation.

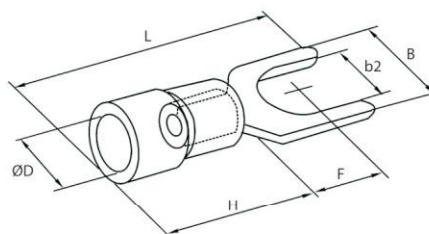
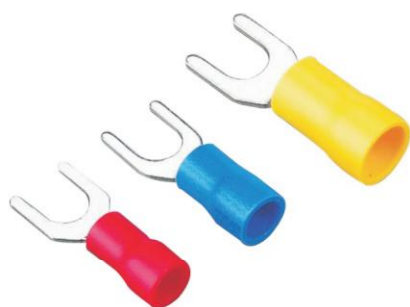
- Material: Made from PVC, oil and crossion control, heat resisting up to 85°C.
- The inside is hollow but elastic and the diameter can change with the needed wire.



Cable Markers

Item No.	Suitable Wires		Markers	Packing
	SQ(mm ²)	mm		
YJEC-0	0.5-1.5	0.5; 0.75; 1; 1.5	0-9 A-Z	1000PCS/ROLL
YJEC-1	2.6-4.2	2.5		1000PCS/ROLL
YJEC-2	4	4		350PCS/ROLL
YJEC-3	6-10	6		350PCS/ROLL
		10		200PCS/ROLL
YJEC-4	16	16		100PCS/ROLL
YJEC-J(Flat)	3.6-7.2	4		500PCS/ROLL

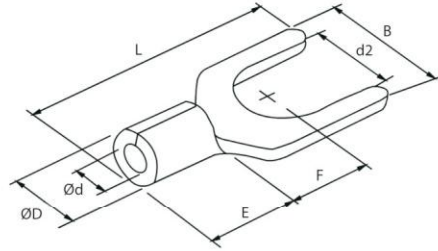
Pre-Insulated Spade Terminals



SV Series

Item No.	ANSI Bolt	Bolt Hole Dia.d2 (mm)	Dimensions					Note
			B	L	F	H	D	
SV1.25-3	#4	3.2	5.7	21.2	6.5	10.0	4.3	Size of cable:0.5-1.5mm ² (American standard22-16) Max.Current:I _{max} =19A Color:Red
SV1.25-3.5S	#6	3.7	5.7	21.2	6.5			
SV1.25-3.5L	#6	3.7	6.4	21.2	6.5			
SV1.25-4S	#8	4.3	6.4	21.2	6.5			
SV1.25-4M	#8	4.3	7.2	21.2	6.5			
SV1.25-4L	#8	4.3	8.1	21.2	6.5			
SV1.25-5S	#10	5.3	8.1	21.2	6.5			
SV1.25-5L	#10	5.3	9.5	21.2	6.5			
SV1.25-6S	1/4	6.4	9.5	21.2	6.5			
SV1.25-6L	1/4	6.4	12.0	21.2	11.0			
SV2-3	#4	3.2	5.7	21.2	6.5	10.0	4.9	Size of cable:1.5-2.5mm ² (American standard16-14) Max.Current:I _{max} =27A Color:Blue
SV2-3.5S	#6	3.7	5.7	21.2	6.5			
SV2-3.5L	#6	3.7	6.4	21.2	6.5			
SV2-4S	#8	4.3	6.0	21.2	6.5			
SV2-4M	#8	4.3	7.2	21.2	6.5			
SV2-4L	#8	4.3	8.1	21.2	6.5			
SV2-5S	#10	5.3	8.1	21.2	6.5			
SV2-5L	#10	5.3	9.5	21.2	6.5			
SV2-6S	1/4	6.4	9.5	21.2	6.5			
SV2-6L	1/4	6.4	12.0	21.2	11.0			
SV3.5-4	#8	4.3	8.0	24.8	7.0	12.5	6.2	Size of cable:2.5-4mm ² (American standard14-12) Max.Current:I _{max} =37A Color:Black
SV3.5-5	#10	5.5	8.0	24.8	7.0			
SV3.5-6	1/4	6.4	12.0	28.0	12.1			
SV5.5-3.5	#6	3.7	8.3	25.2	7.5	12.5	6.7	Size of cable:4-6mm ² (American standard12-10) Max.Current:I _{max} =48A Color:Yellow
SV5.5-4S	#8	4.3	8.3	25.2	7.5			
SV5.5-4L	#8	4.3	9.0	23.9	7.5			
SV5.5-5	#10	5.3	9.0	23.9	7.5			
SV5.5-6S	1/4	6.4	9.0	23.9	7.5			
SV5.5-6L	1/4	6.4	12.0	31.2	12.0			
SV5.5-8	5/16	8.4	14.0	30.0	11.5			

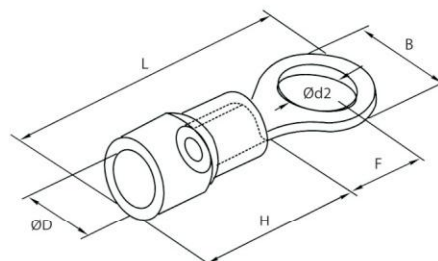
Spade Naked Terminals



SNB Series

Item No.	ANSI Bolt	Bolt Hole Dia. d2 (mm)	Dimensions						Note
			B	L	F	E	D	d	
SNB1.25-3	#4	3.2	5.7	16.0	6.5	4.8	3.4	1.7	Size of cable:0.5-1.5mm ² (American standard22-16) Max.Current:I _{max} =19A
SNB1.25-3.5S	#6	3.7	5.7	16.0	6.5				
SNB1.25-3.5L	#6	3.7	6.4	16.0	6.5				
SNB1.25-4S	#8	4.3	6.4	16.0	6.5				
SNB1.25-4M	#8	4.3	7.2	16.0	6.5				
SNB1.25-4L	#8	4.3	8.1	16.0	6.5				
SNB1.25-5S	#10	5.3	8.1	16.0	6.5	4.8	4.1	2.3	Size of cable:1.5-2.5mm ² (American standard16-14) Max.Current:I _{max} =27A
SNB1.25-5L	#10	5.3	9.5	16.0	6.5				
SNB1.25-6S	1/4	6.47	9.5	16.0	6.5				
SNB1.25-6L	1/4	6.4	12.0	22.0	11.0				
SNB2-3	#4	3.2	5.7	16.0	6.5				
SNB2-3.5S	#6	3.7	5.7	16.0	6.5				
SNB2-3.5L	#6	3.7	6.4	16.0	6.5	6.0	5.0	3.0	Size of cable:2.5-4mm ² (American standard14-12) Max.Current:I _{max} =37A
SNB2-4S	#8	4.3	6.4	16.0	6.5				
SNB2-4M	#8	4.3	7.2	16.0	6.5				
SNB2-4L	#8	4.3	8.1	16.0	6.5				
SNB2-5S	#10	5.3	8.1	16.0	6.5				
SNB2-5L	#10	5.3	9.5	16.0	6.5				
SNB2-6S	1/4	6.4	9.5	16.0	6.5	6.8	5.6	3.4	Size of cable:4-6mm ² (American standard12-10) Max.Current:I _{max} =48A
SNB2-6L	1/4	6.4	12.0	22.0	11.0				
SNB3.5-3	#4	3.2	5.7	18.3	7.0				
SNB3.5-4	#8	4.3	8.0	18.3	7.0				
SNB3.5-5	#10	5.3	8.0	18.3	7.0				
SNB3.5-6	1/4	6.4	12.0	21.5	12.1				
SNB5.5-3.5	#8	3.7	8.3	19.5	7.5	8.5	7.2	4.5	Size of cable:6-10mm ² (American standard8) Max.Current:I _{max} =62A
SNB5.5-4S	#10	4.3	8.3	19.5	7.5				
SNB5.5-4L	#8	4.3	9.0	19.5	7.5				
SNB5.5-5	#10	5.3	9.0	19.5	7.5				
SNB5.5-6S	1/4	6.4	9.0	19.5	7.5				
SNB5.5-6L	1/4	6.4	12.0	25.5	12.0				
SNB5.5-8	5/16	8.4	14.0	24.5	11.5	10.5	9.0	5.8	
SNB8-4	#8	4.3	8.7	23.0	6.0				
SNB8-5	#10	5.3	12.0	24.5	5.7	10.5	9.0	5.8	
SNB8-6	1/4	6.4	12.0	24.5	5.7				
SNB8-8	5/16	8.4	14.5	28.0	8.3	12.0	11.5	7.7	
SNB14-6	1/4	6.4	12.0	28.0	7.5				
SNB14-8	5/16	8.4	14.0	28.0	7.5				
SNB22-8	5/16	8.4	14.0	34.5	9.0				

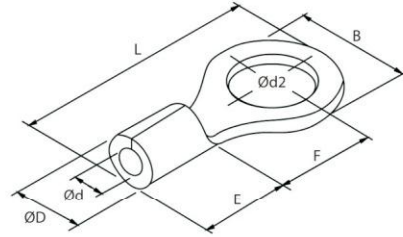
Pre-Insulated Ring Terminals



RV Series

Item No.	ANSI Bolt	Bolt Hole Dia.d2 (mm)	Dimensions					Note
			B	L	F	H	D	
RV 1.25-3	#4	3.2	5.7	17.8	4.95	10.0	4.3	Size of cable:0.5-1.5mm ² (American standard 22-16) Max.Current:I _{max} =19A Color:Red
RV 1.25-3.5S	#6	3.7	5.7	17.8	4.95			
RV 1.25-3.5M	#6	3.7	6.6	20.1	6.3			
RV 1.25-3.5L	#6	3.7	8.0	21.5	7.0			
RV 1.25-4S	#8	4.3	6.6	20.1	6.3			
RV 1.25-4L	#8	4.3	8.0	21.5	7.0			
RV 1.25-5	#10	5.3	8.0	21.5	7.0			
RV 1.25-6	1/4	6.5	11.6	27.5	11.1			
RV 1.25-8	5/16	8.4	11.6	27.5	11.1			
RV 1.25-10	3/8	10.5	13.6	31.6	13.9			
RV 2-3	#4	3.2	6.6	17.8	4.3	10.0	4.9	Size of cable:1.5-2.5mm ² (American standard 16-14) Max.Current:I _{max} =27A Color:Blue
RV 2-3.5S	#6	3.7	6.6	17.8	4.3			
RV 2-3.5M	#6	3.7	6.6	21.0	7.0			
RV 2-3.5L	#6	3.7	8.5	22.5	7.75			
RV 2-4S	#8	4.3	6.6	21.0	7.0			
RV 2-4L	#8	4.3	8.5	22.5	7.75			
RV 2-5S	#10	5.3	8.5	22.5	7.75			
RV 2-5L	#10	5.3	9.5	22.5	7.25			
RV 2-6	1/4	6.5	12.0	27.6	11.0			
RV 2-8	5/16	8.4	12.0	27.6	11.0			
RV 2-10	3/8	10.5	13.6	30.2	13.9			
RV3.5-4	#8	4.3	8.0	24.5	7.7	12.5	6.2	Size of cable:2.5-4mm ² (American standard 14-12) Max.Current:I _{max} =36A Color:Black
RV3.5-5S	#10	5.3	8.0	24.5	7.7			
RV3.5-5L	#10	5.3	12.0	27.9	7.7			
RV3.5-6	1/4	6.5	12.0	27.9	7.7			
RV5.5-3.5	#6	3.7	7.2	21.4	5.9	12.5	6.7	Size of cable:4-6mm ² (American standard 12-10) Max.Current:I _{max} =48A Color:Yellow
RV5.5-4S	#8	4.3	7.2	21.5	5.9			
RV5.5-4L	#8	4.3	9.5	25.5	8.3			
RV5.5-5	#10	5.3	9.5	25.5	8.3			
RV5.5-6	1/4	6.5	12.0	31.5	13.0			
RV5.5-8	5/16	8.4	15.0	33.7	13.7			
RV5.5-10	3/8	10.5	15.0	33.7	13.7			
RV5.5-12	1/2	13.0	19.2	38.1	16.0			

Ring Naked Terminals

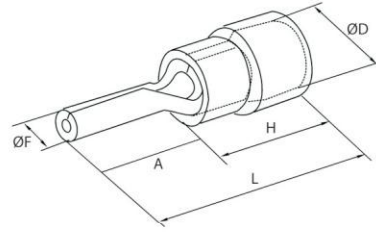


RNB Series

Item No.	ANSI Bolt	Bolt Hole Dia.d2 (mm)	Dimensions						Note
			B	L	F	H	D	d	
RNB 1.25-3	#4	3.2	5.7	12.6	4.95	4.8	3.4	1.7	Size of cable:0.5-1.5mm ² (American standard 22-16) Max.Current:I _{max} =19A
RNB 1.25-3.5S	#6	3.7	5.7	12.6	4.95				
RNB 1.25-3.5M	#6	3.7	6.6	14.4	6.3				
RNB 1.25-3.5L	#6	3.7	8.0	15.8	7.0				
RNB 1.25-4S	#8	4.3	6.6	14.4	6.3				
RNB 1.25-4L	#8	4.3	8.0	15.8	7.0				
RNB 1.25-5	#10	5.3	8.0	15.8	7.0				
RNB 1.25-6	1/4	6.5	11.6	21.8	11.1				
RNB 1.25-8	5/16	8.4	11.6	21.8	11.1				
RNB 1.25-10	3/8	10.5	13.6	25.5	13.6				
RNB 2-3	#4	3.2	6.6	12.3	4.3	4.8	4.1	2.3	Size of cable:1.5-2.5mm ² (American standard 16-14) Max.Current:I _{max} =27A
RNB 2-3.5S	#6	3.7	6.6	12.3	4.3				
RNB 2-3.5M	#6	3.7	6.6	16.0	7.0				
RNB 2-3.5L	#6	3.7	8.5	16.8	7.75				
RNB 2-4S	#8	4.3	6.6	16.0	7.0				
RNB 2-4L	#8	4.3	8.5	16.8	7.75				
RNB 2-5S	#10	5.3	8.5	16.8	7.75				
RNB 2-5L	#10	5.3	9.5	16.8	7.25				
RNB 2-6	1/4	6.5	12.0	21.8	11.0				
RNB 2-8	5/16	8.4	12.0	21.8	11.0				
RNB 2-10	3/8	10.5	13.6	25.5	13.9	6.0	5.0	3.0	Size of cable:2.5-4mm ² (American standard 14-12) Max.Current:I _{max} =36A
RNB 2-12	1/2	13.0	19.2	31	16.5				
RNB3.5-4	#8	4.3	8.0	18.0	7.7				
RNB3.5-5S	#10	5.3	8.0	18.0	7.7				
RNB3.5-5L	#10	5.3	12.0	21.4	7.7				
RNB3.5-6	1/4	6.5	12.0	21.4	7.7				

Item No.	ANSI Bolt	Bolt Hole Dia.d2 (mm)	Dimensions						Note
			B	L	F	H	D	d	
RNB5.5-3.5	#6	3.7	7.2	15.7	5.9	6.8	5.6	3.4	Size of cable:4-6mm ² (American standard 12-10) Max.Current:I _{max} =48A
RNB5.5-4S	#8	4.3	7.2	15.7	5.9				
RNB5.5-4L	#8	4.3	9.5	19.8	8.3				
RNB5.5-5	#10	5.3	9.5	19.8	8.3				
RNB5.5-6	1/4	6.5	12.0	25.8	13.0				
RNB5.5-8	5/16	8.4	15.0	28.0	13.7				
RNB5.5-10	3/8	10.5	15.0	28.0	13.7				
RNB5.5-12	1/2	13.0	19.2	32.4	16.0				
RNB8-4	#8	4.3	8.8	23.8	9.3	8.5	7.2	4.5	Size of cable:6-10mm ² (American standard 8) Max.Current:I _{max} =62A
RNB8-5S	#10	5.3	8.8	23.8	11.1				
RNB8-5M	#10	5.3	12.0	23.8	9.3				
RNB8-5L	#10	5.3	15.0	29.8	13.8				
RNB8-6S	1/4	6.4	12.0	23.8	9.3				
RNB8-6L	1/4	6.4	15.0	29.8	13.8				
RNB8-8	5/16	8.4	15.0	29.8	13.8				
RNB8-10	3/8	10.5	15.0	29.38	13.8				
RNB8-12	1/2	13.0	20.0	33.5	15.0				
RNB14-4	#8	4.3	12.0	29.8	13.3	10.5	9.0	5.8	Size of cable:10-16mm ² (American standard 6) Max.Current:I _{max} =88A
RNB14-5	#10	5.3	12.0	29.8	13.3				
RNB14-6S	1/4	6.4	12.0	29.8	13.3				
RNB14-6L	1/4	6.4	16.0	32.8	13.3				
RNB14-8	5/16	8.4	16.0	32.8	14.5				
RNB14-10	3/8	10.5	16.0	32.8	14.5				
RNB14-12	1/2	13.0	22.0	41.0	19.5				
RNB22-5S	#10	5.3	12.2	33.2	14.5	12.0	11.5	7.7	Size of cable:16-25mm ² (American standard 4) Max.Current:I _{max} =115A
RNB22-5L	#10	5.3	16.35	33.7	13.5				
RNB22-6S	1/4	6.4	12.2	33.2	14.5				
RNB22-6L	1/4	6.4	6.5	33.7	13.5				
RNB22-8	5/16	8.4	16.5	33.7	13.5				
RNB22-10	3/8	10.5	16.5	33.7	13.5				
RNB22-11	7/16	11.5	22.0	42.5	19.5				
RNB22-12	1/2	13.0	22.0	42.5	19.5				
RNB38-5S	#10	5.3	15.3	39.0	18.3	14.0	13.3	9.4	Size of cable:35-50mm ² (American standard 2) Max.Current:I _{max} =160A
RNB38-5L	1/4	6.4	15.3	39.0	18.3				
RNB38-8S	5/16	8.4	15.3	39.0	18.3				
RNB38-8L	5/16	8.4	22.0	42.7	17.7				
RNB38-10S	3/8	10.5	15.3	39.0	18.3				
RNB38-10L	3/8	10.5	22.0	42.7	17.7				
RNB38-11	7/16	11.5	22.0	42.7	17.7				
RNB38-12	1/2	13.0	22.0	42.7	17.7				

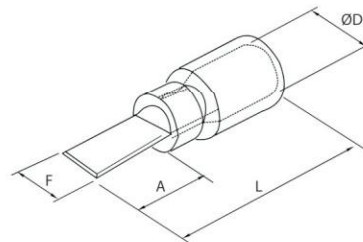
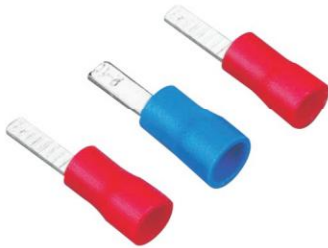
Pre-Insulated Pin Terminals



PTV Series

Item No.	Dimensions(mm)				Note
	ØF	L	H	ØD	
PTV 1.25-9	1.9	19.0			Size of cable:0.5-1.5mm ² (American standard22-16) Max.Current:I _{max} =19A Color:Red
PTV 1.25-10	1.9	20.0			
PTV 1.25-12	1.9	22.0	10.0	4.3	
PTV 1.25-13	1.9	23.0			
PTV 1.25-18	1.9	28.0			Size of cable:1.5-2.5mm ² (American standard16-14) Max.Current:I _{max} =27A Color:Blue
PTV 2-9	1.9	19.0			
PTV 2-10	1.9	20.0			
PTV 2-12	1.9	22.0	10.0	4.9	
PTV 2-13	1.9	23.0			Size of cable:4-6mm ² (American standard12-10) Max.Current:I _{max} =48A Color:Yellow
PTV 2-18	1.9	28.0			
PTV 5.5-13	2.8	25.5	12.5	6.7	

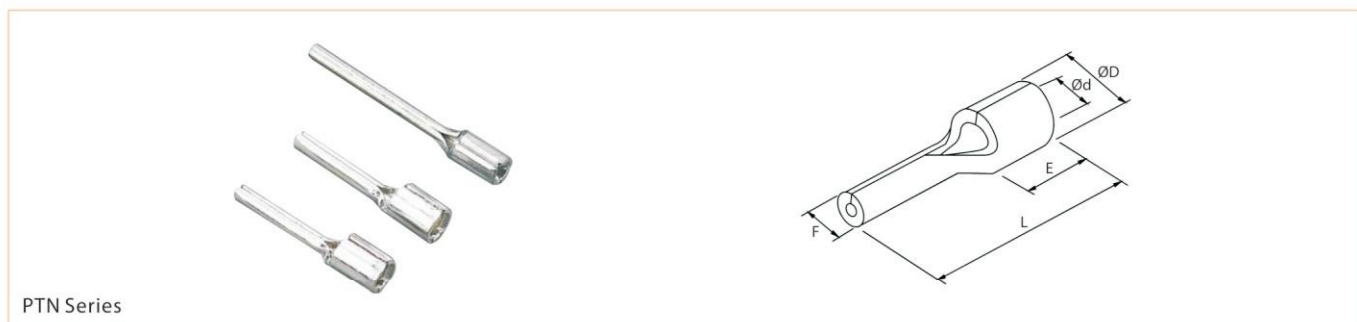
Pre-Insulated Chip-shaped Terminals



DBV Series

Item No.	Dimensions(mm)				Note
	F	L	A	ØD	
DBV1.25-10	2.3	20.0	10.0		Size of cable:0.5-1.5mm ² (American standard22-16) Max.Current:I _{max} =19A
DBV1.25-11	3.0	21.0	11.0	4.3	
DBV1.25-14	3.0	24.0	14.0		
DBV1.25-18	2.3	28.0	18.0		Size of cable:1.5-2.5mm ² (American standard16-14) Max.Current:I _{max} =27A
DBV2-9	2.8	19.0	9.0		
DBV2-15	2.3	25.0	15.0	4.9	
DBV2-18	2.3	28.0	18.0		
DBV5.5-10	2.8	22.5	10.0	5.6	Size of cable:4-6mm ² (American standard12-10) Max.Current:I _{max} =48A

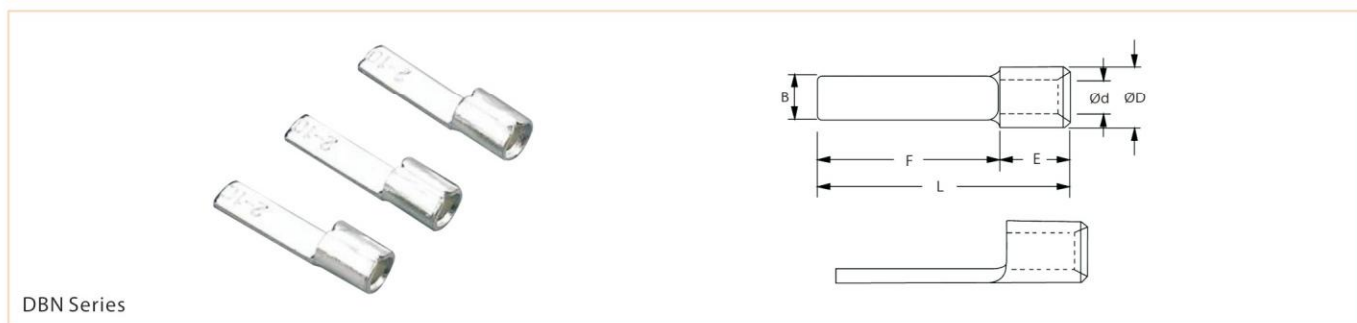
Pin-Shaped Naked Terminals



PTN Series

Item No.	Dimensions(mm)					Note
	ØF	L	E	ØD	Ød	
PTN 1.25-9	1.9	13.8				Size of cable:0.5-1.5mm ² (American standard22-16) Max.Current:I _{max} =19A
PTN 1.25-10	1.9	14.8				
PTN 1.25-12	1.9	16.8	4.8	3.4	1.7	
PTN 1.25-13	1.9	17.8				
PTN 1.25-18	1.9	22.8				
PTN 2-9	1.9	13.8				Size of cable:1.5-2.5mm ² (American standard16-14) Max.Current:I _{max} =27A
PTN 2-10	1.9	14.8				
PTN 2-12	1.9	16.8	4.8	4.1	2.3	
PTN 2-13	1.9	17.8				
PTN 3.5-10	2.8	14.8				Size of cable:2.5-4mm ² (American standard14-12) Max.Current:I _{max} =36A
PTN 3.5-13	2.8	19.8	4.8	4.1	3.0	
PTN 5.5-13	2.8	19.8	6.0	5.6	3.4	Size of cable:4-6mm ² (American standard12-10) Max.Current:I _{max} =48A

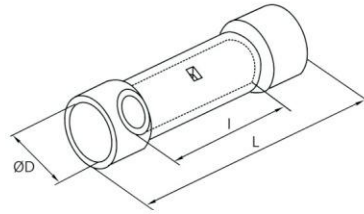
Chip-Shaped Naked Terminals



DBN Series

Item No.	Dimensions(mm)						Note
	ØB	L	ØF	E	ØD	Ød	
DBN1.25-10	2.3	14.8	10.0				Size of cable:0.5-1.5mm ² (American standard22-16) Max.Current:I _{max} =19A
DBN1.25-11	3.0	15.8	11.0				
DBN1.25-14	3.0	18.8	14.0	4.8	3.4	1.7	
DBN1.25-18	2.3	22.8	18.0				Size of cable:1.5-2.5mm ² (American standard16-14) Max.Current:I _{max} =27A
DBN2-9	2.3	13.8					
DBN2-18	2.3	22.8	4.8	4.8	4.1	2.3	
DBN5.5-10	2.8	14.8	10.0				Size of cable:4-6mm ² (American standard12-10) Max.Current:I _{max} =48A
DBN5.5-14	4.5	21.0	14.0	6.0	5.6	3.4	
DBN5.5-18	4.5	23.0	18.0				
DBN 8-14	5.0	22.5	14.0	8.5	7.2	4.5	
DBN 14-16	6.0	30.6	16.0	14.0	9.0	6.5	

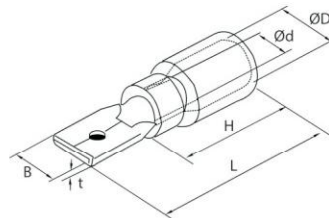
Insulated Butt Connectors



BV Series

Item No.	Wire Section		Dimensions(mm)			I _{max}	dØ	Color
	A.W.G	mm ²	I	ØD	L			
BV1.25	22-16	0.5-1.5	15.0	1.7	26.0	19A	1.7	Red
BV2	16-14	1.5-2.5	15.0	2.3	26.0	27A	2.3	Blue
BV5.5	12-10	4-6	15.0	3.4	26.0	48A	3.4	Yellow
BV 8	#8	6-10	21.0	4.5	32.0	62A	4.5	Red
BV 14	#6	10-16	26.0	5.8	42.0	88A	5.8	Blue
BV 22	#4	16-25	29.0	7.7	50.0	115A	7.7	Yellow
BV 38	#2	35-50	32.0	9.4	55.0	160A	9.4	Red
BV1.25S	22-16	0.5-1.5	8.0	1.7	16.0	19A	1.7	Red
BV2S	16-14	1.5-2.5	8.0	2.3	16.0	27A	2.3	Blue
BV5.5S	43809	43561	8.5	3.4	20.5	48A	3.4	Yellow

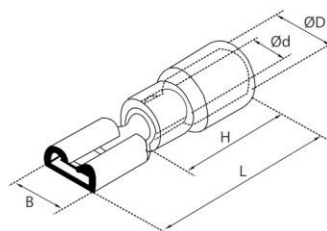
Pre-Insulated Male Disconnectors



MDD Series

Item No.	Mema tab (mm)	Dimensions(mm)						Note
		Thickness of material	B	Ød	ØD	L	H	
MDD1.25-110(8)	0.8x2.8	0.8	2.8	1.7	4.3	17.7	10.0	Size of cable:0.5-1.5mm ² (American standard22-16) Max.Current:I _{max} =19A
MDD1.25-187(5)	0.5x4.75	0.5	4.75	1.7	4.3	20.0		
MDD1.25-187(8)	0.8x4.75	0.8	4.75	1.7	4.3	18.5		
MDD1.25-250	0.8x6.35	0.4	6.35	1.7	4.3	21.0		
MDD2-187(5)	0.5x4.75	0.5	4.75	2.3	4.3	20.0	10.0	Size of cable:1.5-2.5mm ² (American standard16-14) Max.:I _{max} =15A
MDD2-187(8)	0.8x4.75	0.8	4.75	2.3	4.3	18.5		
MDD2-250	0.8x6.35	0.4	6.35	2.3	4.3	21.0		
MDD5.5-250	0.8x6.35	0.4	6.35	3.4	5.7	25.0	14.0	Size of cable:4-6mm ² (American standard12-10) Max:I _{max} =24A

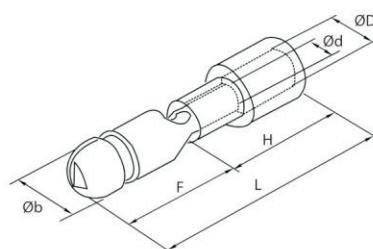
Pre-Insulated Female Disconnectors



FDD Series

Item No.	Name tab (mm)	Dimensions(mm)						Note
		Thickness of material	B	Ød	ØD	L	H	
FDD1.25-110(5)	0.5x2.8	0.3	3.8	1.7	3.8	19.0	10.0	Size of cable:0.5-1.5mm ² (American standard22-16) Max.:Imax=10A
FDD1.25-110(8)	0.8x2.8	0.3	3.8	1.7	3.8	19.0		
FDD1.25-187(5)	0.5x4.75	0.35	5.6	1.7	3.8	19.0		
FDD1.25-187(8)	0.8x4.75	0.35	5.6	1.7	3.8	19.0		
FDD1.25-205	0.5x5.2	0.35	6.5	1.7	3.8	20.0		
FDD1.25-250	0.8x6.35	0.4	7.4	1.7	3.8	21.0		
FDD2-110(5)	0.5x2.8	0.3	3.8	2.3	4.3	19.0	10.0	Size of cable:1.5-2.5mm ² (American standard16-14) Max.:Imax=15A
FDD2-110(8)	0.8x2.8	0.3	3.8	2.3	4.3	19.0		
FDD2-187(5)	0.5x4.75	0.35	5.6	2.3	4.3	19.0		
FDD2-187(8)	0.8x4.75	0.35	5.6	2.3	4.3	19.0		
FDD2-205	0.5x5.2	0.35	6.5	2.3	4.3	20.0		
FDD2-250	0.8x6.35	0.4	7.4	2.3	4.3	21.0		
FDD2-312	0.8x8.0	0.4	9.0	2.3	4.3	23.0	14.0	Size of cable:4-6mm ² (American standard12-10) Max.:Imax=24A
FDD5.5-250	0.8x6.35	0.4	7.4	3.4	5.7	25.0		
FDD5.5-375	1.2x9.4	0.5	10.9	3.4	5.7	29.6		

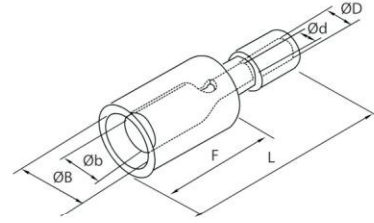
Pre-Insulated Buttet Disconnectors



MPD Series

Item No.	Thickness of Material (mm)	Dimensions(mm)						Note
		Øb	F	ØD	Ød	H	L	
MPD1.25-156	0.4	4.0	11.0	2.7	1.7	10.0	21.0	Size of cable:0.5-1.5mm ² (American standard22-16) Max.Current:Imax=10A Color:Red
MPD2-156		4.0	16.0	2.7	2.3	10.0	21.0	Size of cable:1.5-2.5mm ² (American standard16-14) Max.Current:Imax=15A
MPD2-195		5.0	16.0	2.7	2.3	10.0	21.0	Color:Blue
MPD5.5-195		5.0	11.0	4.5	3.4	14.0	25.0	Size of cable:4-6mm ² (American standard12-10) Max.Current:Imax=24A Color:Yellow

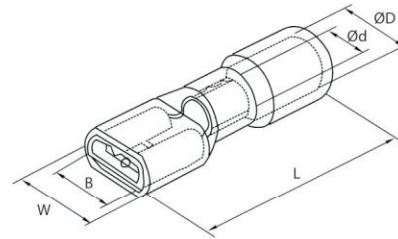
Insulated Receptacle Disconnectors



FRD Series

Item No.	Thickness of Material (mm)	Dimensions(mm)						Note
		Øb	F	ØD	Ød	H	L	
FRD1.25-156	0.4	4.0	11.0	2.7	1.7	13.0	24.5	Size of cable:0.5-1.5mm ² (American standard22-16) Max.Current:I _{max} =10A Color:Red
FRD2-156		4.0	6.3	3.3	2.3	14.0	24.5	Size of cable:1.5-2.5mm ² (American standard16-14) Max.Current:I _{max} =15A Color:Blue
FRD2-195		5.0	7.0	3.3	2.3	14.0	24.5	
FRD5.5-195		5.0	7.0	4.5	3.4	14.0	29.5	Size of cable:4-6mm ² (American standard12-10) Max.Current:I _{max} =24A Color:Yellow

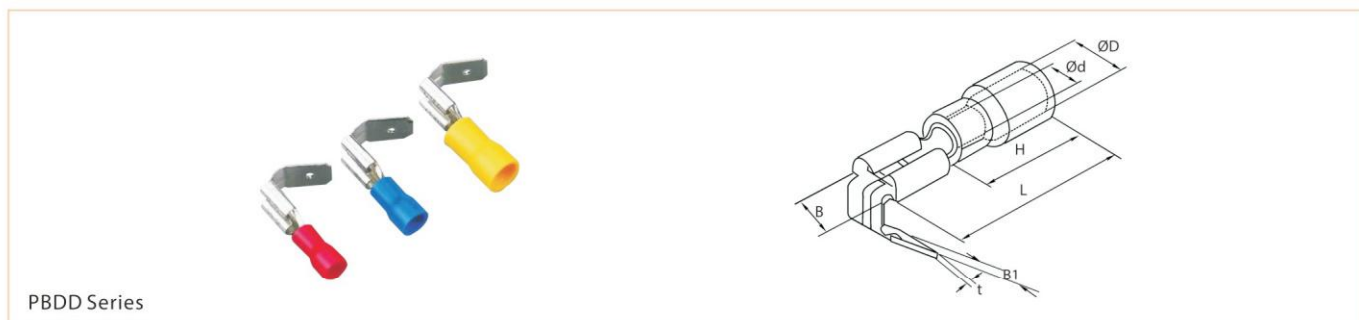
Full Vinyl Insulated Disconnectors



FDFD Series

Item No.	Nema tab(mm)	Dimensions(mm)					Note
		W	B	ØD	Ød	L	
FDFD1.25-110(5)	0.5×2.8	3.8	3.2	2.7	1.7	19.0	Size of cable:0.5-1.5mm ² (American standard22-16) Max:I _{max} =10A
FDFD1.25-110(8)	0.8×2.8	3.8	3.2	2.7	1.7	19.0	
FDFD1.25-187(5)	0.5×4.75	5.6	5.0	4.0	1.7	20.0	
FDFD1.25-187(8)	0.8×4.75	5.6	5.0	4.0	1.7	20.0	
FDFD1.25-250	0.8×6.35	7.4	6.6	4.0	1.7	21.5	Size of cable:1.5-2.5mm ² (American standard16-14) Max.:I _{max} =15A
FDFD2-187(5)	0.8×4.75	5.6	5.0	4.5	2.3	20.0	
FDFD2-187(8)	0.8×4.75	5.6	5.0	4.5	2.3	20.0	
FDFD2-250	0.8×6.35	7.4	6.6	4.5	2.3	21.5	Size of cable:4-6mm ² (American standard12-10) Max:I _{max} =24A
FDFD5.5-250	0.8×6.35	7.4	6.6	5.7	3.4	25.5	

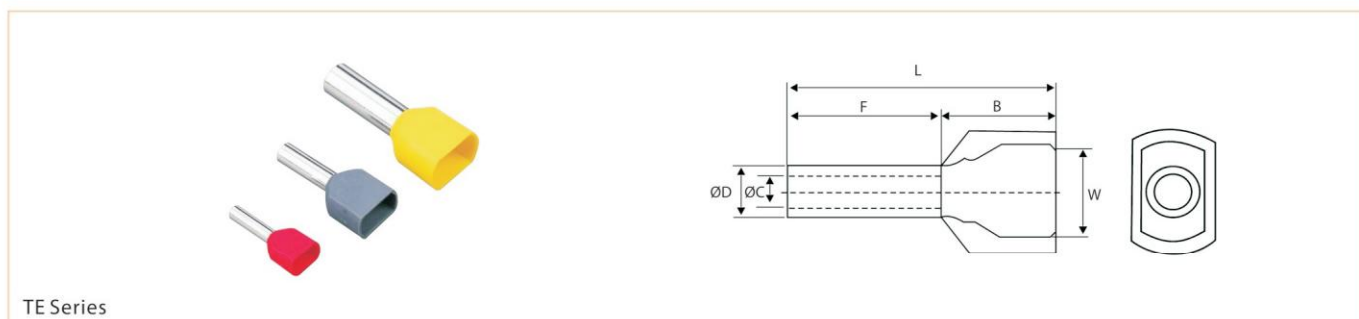
Full Vinyl Pre-Insulated Disconnectors



PBDD Series

Item No.	Nema tab (mm)	Dimensions(mm)						Note
		B	B1	H	ØD	Ød	L	
PBDD 1.25-250	0.8x6.35	7.4	6.3	10.0	3.8	1.7	21.5	Size of cable:0.5-1.5mm ² (American standard22-16) Max.:I _{max} =10A
PBDD 2-250	0.8x6.35	7.4	6.3	10.0	4.3	2.3	21.5	Size of cable:1.5-2.5mm ² (American standard16-14) Max.:I _{max} =15A
PBDD 5.5-250	0.8x6.35	7.4	6.3	14.0	5.7	3.4	25.0	Size of cable:4-6mm ² (American standard12-10) Max.:I _{max} =24A

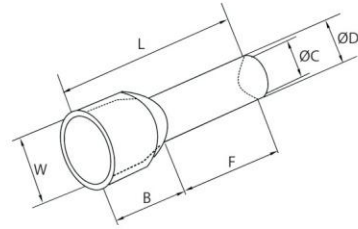
Crewel Tube Pre-insulated Terminals



TE Series

Item No.	Size of cable (mm ²)	Dimensions(mm)						Color	
		F	L	W	B	ØD	ØC	Germany	France
TE0508	2x0.5	8.0	14.5	5.0	6.5	1.8	1.5	White	White
TE7508	2x0.75	8.0	14.7	5.5	6.7	2.1	1.8	Blue	Grey
TE7510	2x0.75	10.0	16.7	5.5	6.7	2.1	1.8		
TE1008	2x1.0	8.0	15.1	5.5	7.1	2.3	2.0	Red	Red
TE1010	2x1.0	10.0	17.1	5.5	7.1	2.3	2.0		
TE1508	2x1.5	8.0	15.5	6.4	7.2	2.6	2.3		
TE1512	2x1.5	12.0	19.5	6.4	7.5	2.6	2.3	Black	Yellow
TE2510	2x2.5	10.0	18.5	8.0	8.5	3.3	2.9	Grey	Blue
TE2513	2x2.5	13.0	21.5	8.0	8.5	3.3	2.9		
TE4012	2x4.0	12.0	25.1	8.8	11.1	4.2	3.8	Yellow	Grey
TE6014	2x6.0	14.0	26.1	8.5	12.1	5.3	4.9	Green	Yellow
TE10-14	2x10.0	14.0	26.6	12.6	12.0	6.9	6.5	Brown	Red
TE16-14	2x16.0	14.0	31.3	19.0	17.3	6.7	8.3	White	Blue

Pre-Insulated Cord End Terminals



E Tube Series

Item No.	Dimensions(mm)							Size of cable (mm ²)	Color
	F	L	W	B	ØD	ØC	A.W.G		
E 0506	6.0	12.0							
E 0508	8.0	14.0							
E 0510	10.0	16.0	2.6	6.0	1.3	1.0	#22	0.5	Yellow or White
E 0512	12.0	18.0							
E 7506	6.0	12.4							
E 7508	8.0	14.6							
E 7510	10.0	16.4	2.8	6.4	1.5	1.2	#20	0.75	White or Blue
E 7512	12.0	18.4							
E 1006	6.0	12.4							
E 1008	8.0	16.6							
E 1010	10.0	16.4	3.0	6.4	1.7	1.4	#18	1.0	Yellow or Red
E 1012	12.0	18.4							
E 1508	8.0	14.6							
E 1510	10.0	16.4							
E 1512	12.0	18.4	3.5	6.4	2.0	1.7	#16	1.5	Red or Black
E 1518	18.0	24.4							
E 2508	8.0	15.2							
E 2510	10.0	17.2							
E 2512	12.0	19.2	4.0	7.0	2.6	2.3	#14	2.5	Blue or Grey
E 2518	18.0	25.2							
E 4009	9.0	16.5							
E 4012	12.0	19.5	4.4	7.5	3.2	2.8	#12	4.0	Grey or Yellow
E 4018	18.0	25.5							
E 6010	10.0	18.0							
E 6012	12.0	20.0	6.3	8.0	3.9	3.5	#10	6.0	Black or Green
E 6018	18.0	26.0							
E 10-12	12.0	21.5							
E 10-18	18.0	27.5	7.6	9.5	4.9	4.5	#7	10.0	White or Brown
E 16-12	12.0	22.2							
E 16-18	18.0	28.2	8.8	10.2	6.2	5.8	#5	16.0	Green or White
E 25-16	16.0	29.0							
E 25-22	22.0	35.0	11.2	13.0	7.9	7.5	#4	25.0	Brown or Black
E 35-16	16.0	30.0							
E 35-25	25.0	39.0	12.7	14.0	8.7	8.3	#2	35.0	Brown
E 50-20	20.0	36.0							
E 50-25	25.0	41.0	15.3	16.0	10.9	10.3	#1	50.0	Olive

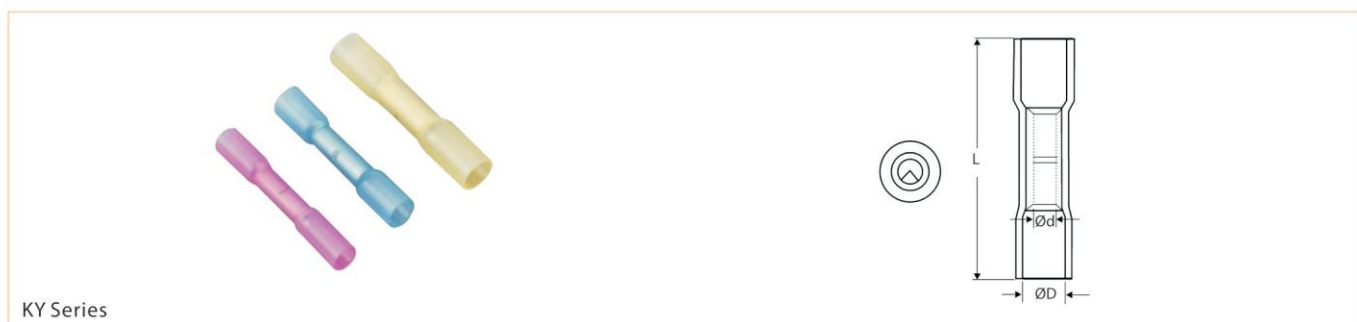
Long Full Insulating Middle Joint(Nylon)



BNY Series

Item No.	Dimension (mm)			A.W.G. mm ²	Color
	L	ØD	Ød		
BNY-1.25	27.3	3.2	1.7	22-16A.W.G 0.5-1.0mm ²	Red
BNY-2	27.3	3.8	2.3	16-14A.W.G 1.5-2.5mm ³	Blue
BNY-5.5	27.3	5.3	3.4	12-10A.W.G 4.0-6.0mm ⁴	Yellow

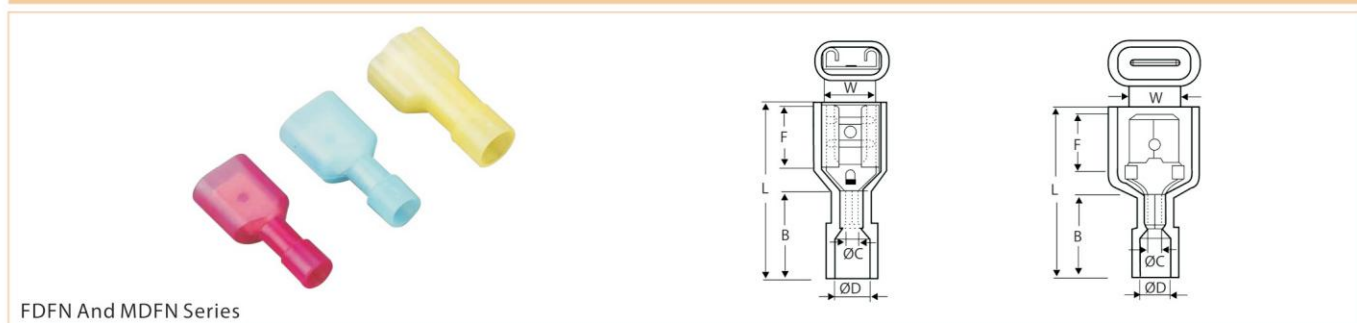
Heat Shrinking Middle Joint



KY Series

Item No.	Dimension (mm)			A.W.G. mm ²	Color
	L	ØD	Ød		
KY-1	37	6.0	1.7	22-18A.W.G 0.5-1.0mm ²	Red
KY-2	37	7.5	2.3	16-14A.W.G 1.5-2.5mm ³	Blue
KY-5	52	8.0	3.4	12-10A.W.G 4.0-6.0mm ⁴	Yellow

Male And Female Full Insulating Joint



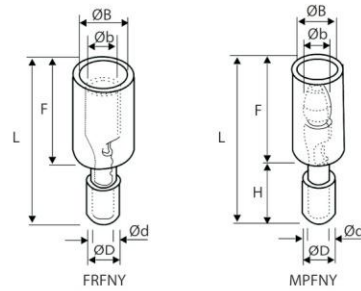
FDFN And MDFN Series

Item No.	NemaTab (mm)	Dimension (mm)							A.W.G. mm ²	Color	Current
		W	F	L	B	ØD	ØC	T			
FDFN 1.25-250	0.8x6.35	6.6	7.3	22.0	11.0	4.0	1.7	0.4	22-16A.W.G 0.5-1.5mm ²	Red	10A
MDFN 1.25-250		6.35	7.7	23.0							
FDFN 2-250	0.8x6.35	6.6	7.3	22.0	11.0	4.0	2.3	0.4	16-14A.W.G 1.5-2.5mm ²	Blue	15A
MDFN 2-250		6.35	7.7	24.0							
FDFN 5.5-250	0.8x6.35	6.6	7.3	24.0	13.0	6.3	3.4	0.4	12-10A.W.G 4-6mm ²	Yellow	24A
MDFN 5.5-250		6.35	7.7	25.0							

Bullet-Shaped Male And Female Full Insulating Joint(Nylon)



FRFNY And MPFNY Series



Item No.	Dimension (mm)							A.W.G. mm ²	Color
	ØB	Øb	ØD	Ød	L	F	H		
FRFNY 1.25-156	6.9	6.9	3.2	1.8	26.0	15.0	11.0	22-16A.W.G 0.5-1.5mm ²	Red
MPFNY 1.25-156	7.4	3.9	3.2	1.8	27.5	16.5	11.0	22-16A.W.G 0.5-1.5mm ²	Red
FRFNY 2-156	6.9	4.0	3.9	2.4	26.0	15.5	11.0	16-14A.W.G 1.5-2.5mm ²	Blue
MPFNY 2-156	7.4	4.0	3.9	2.4	27.5	16.5	11.0	16-14A.W.G 1.5-2.5mm ²	Blue

IT-50

Plastic Box Packing Available For Any Kind Of Terminal.
 • 50pcs Or 100pcs Per Box.



IT-50

IT-175/300/760/1200

• 18 Type Assortment.



IT-175/300/760/1200

Item No.	QTY	IT-175	IT-300	IT-760	IT-1200
RV1.25-3		15	25	80	80
RVS1.25-4		10	25	80	80
RV1.25-5		10	25	80	80
RV2-3		15	15	80	80
RVS2-4		10	20	10	80
RVL2-5		10	10	10	60
RV5.5-5		5	5	40	40
RV5.5-6		5	5	40	40
SV1.25-3		10	20	80	80
SVS1.25-4		10	20	60	80
SVL2-4		10	20	10	80
BV1.25		10	10	10	50
BV2		10	10	20	50
BV5.5		5	10	40	40
MDD1.25-250		10	20	25	70
MDD2-250		10	20	25	70
FDD1.25-250		10	20	25	70
FDD2-250		10	20	25	70

IT-101

Item No.	QTY	Item No.	QTY
RVL1.25-4	10Pcs	PBDD2-250	10Pcs
FDD1.25-250	10Pcs	MPD2-195	10Pcs
MDD1.25-250	10Pcs	FRD2-195	10Pcs
MDD2-250	10Pcs	FDD5.5-250	10Pcs
FDD2-250	10Pcs	YF005	10Pcs
PBDD1.25-250	10Pcs		



IT-101

IT-500

Item No.	QTY	Item No.	QTY
RVS2-5	50Pcs	FDD1.25-250(KF)	50Pcs
RVS1.25-4	50Pcs	BV1.25	50Pcs
MPD1.25-156	50Pcs	BV2	50Pcs
RVS2-4	50Pcs	FRD1.25-156	50Pcs
RVS1.25-5	50Pcs	RV5.5-5	50Pcs



IT-500

TE-200

Item No.	QTY	Color
TE7508	50Pcs	Blue
TE1008	50Pcs	Red
TE1508	50Pcs	Black
TE2510	50Pcs	Grey



TE-200/E-100/E-400

E-100

Item No.	QTY	Color
E4012	50Pcs	Orange
E6012	20Pcs	Green
E10-12	20Pcs	Brown
E16-12	10Pcs	White

E-400

Item No.	QTY	Color
E0508	50Pcs	White
E7508	100Pcs	Blue, Grey
E1008	100Pcs	Red
E1508	100Pcs	Black
E2508	50Pcs	Grey, Blue

Hand Crimping Tools

HS-30J Cable range:0.5-6mm²



Suitable for pre-insulated terminals and insulated butt connectors

HS-03C Cable range:0.5-6mm²



Suitable for pre-insulated terminals and insulated butt connectors

HS-0725 Cable range:0.5-2.5mm²



Suitable for pre-insulated terminals and insulated butt connectors

SN-02C Cable range:0.5-2.5mm²



Suitable for pre-insulated terminals and insulated butt connectors

HS-0325 Cable range:0.5-2.5mm²



Suitable for naked terminals

SN-02 Cable range:0.5-2.5mm²



Suitable for naked terminals

HS-101 Cable range:1.0-10mm²



Suitable for naked terminals and safety-type plastic cap

HS-103L Cable range:0.5-6mm²



Suitable for safety-type plastic cap

Hand Crimping Tools

HS-03B Cable range:1.5-6mm²



Suitable for open barrel terminals

HS-11011 Cable range:1.5-6mm²



Suitable for open barrel terminals

HS-04WF Cable range:1.5-6mm²



Suitable for pre-insulated cord end terminals

HSC8 6-4 Cable range: 0.08-6mm²
HSC8 6-6 Cable range: 0.25-6mm²



Suitable for pre-insulated cord end terminals

HS-05WF Cable range:0.5-6mm²
HS-06WF Cable range:0.25-6mm²
HS-16WF Cable range:6-6mm²



Suitable for pre-insulated cord end terminals

SN-05WF Cable range:0.5-4mm²
SN-16WF Cable range:6-16mm²



Suitable for pre-insulated cord end terminals

HS-26TW Cable range:0.5-6mm²



Suitable for pre-insulated tube type terminals

HS-35WF Cable range:10-35mm²



Suitable for pre-insulated tube type terminals

Hand Crimping Tools

HS-8 Cable range:1.25-8mm²
 HS-14 Cable range:5.5-14mm²
 HS-16 Cable range:1.25-16mm²



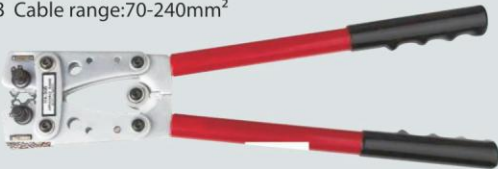
Suitable for naked terminals

HS-22 Cable range:5.5-25mm²
 HS-38 Cable range:5.5-38mm²



Suitable for naked terminals

HX-50B Cable range:6-50mm²
 HX-120B Cable range:10-120mm²
 HX-150B Cable range:25-150mm²
 HX-245B Cable range:70-240mm²



Suitable for copper lug

GT-150 Cable range:16-150mm²



Suitable for copper lug

HS-1040 Cable range:8-16mm²
 HS-1041 Cable range:0.9-6mm²
 HS-1042 Cable range:0.2-1.25mm²
 HS-1043 Cable range:0.25-0.65mm²



Suitable for peeling wire and crimping cable lug

HS-700A Cable range:0.5-2mm²
 HS-700B Cable range:1.0-3.2mm²



Suitable for peeling wire and crimping cable lug

LK-125 Max 125mm²
 LK-250 Max 250mm²
 LK-500 Max 500mm²



Suitable for cutting cable

HS-325A Max 240mm²
 HS-520A Max 400mm²



Suitable for cutting cable