

TD-201/202

For Ship's Speed Measurement With Remarkable Accuracy

Incorporating TOKIMEC'S advanced ultrasonic & sensing technology, the TD-201 (Digital indication)/TD-202 (Analog indication) Doppler Speed Log provides remarkable measuring accuracy, especially in low-speed range.

The compact display unit requires very little installation space, and the flush-mount transducer scarcely protrudes from the ship's hull.



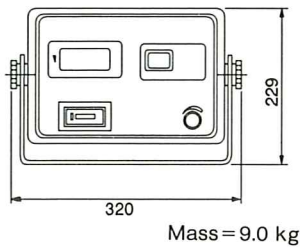
Features

1. High-accuracy measurement of ship's speed
2. Minimized ship's motion error
3. Minimized water temperature error
4. Accurate astern speed indication
5. Easy-to-see displays
6. Simple operation
7. Main display unit with speed alarm

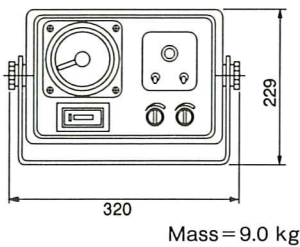
Outlines

Main Display

MD21

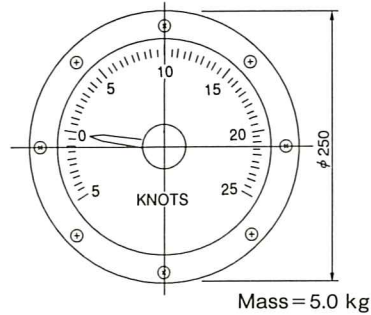


MD22

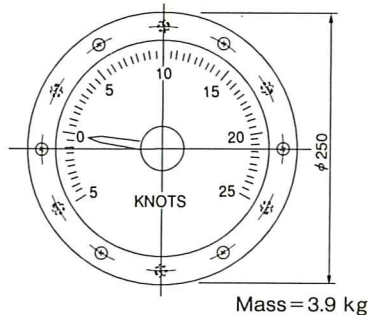


Remote Display (Analog)

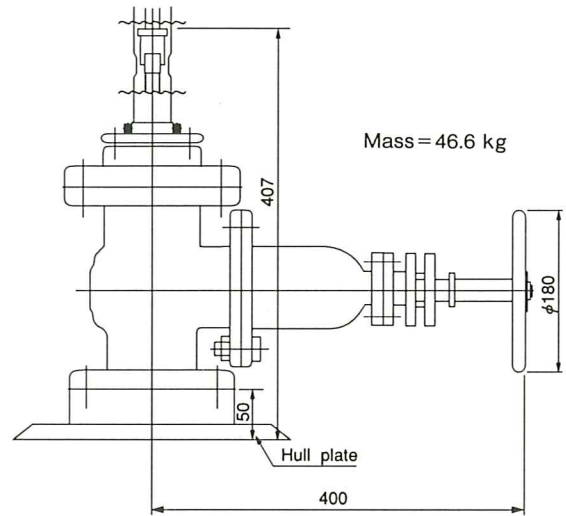
RD 56 (Wall mount type)



RD 55 (Flush type)



Gate Valve



Before operating this equipment, you should first thoroughly read the operation manual.

Specifications

Main Display Unit (Digital)

Operating mode	Ultrasonic paired-beam pulsed Doppler system
Operating frequency	2 MHz
Speed range	-10 ~ +30 knots
Display system	Digital
Measuring accuracy	±1 % (distance), ±0.1 knot (speed)
Trip distance display	0 ~ 9999.9 nautical miles (with reset button)
Speed alarm	Free speed setting, alarm buzzer sounding
Trip distance outputs	200 pulses/mile contact signals × 2 circuits, (× 3 circuits optional)
Auxiliary functions	1) Self-test circuit 2) Transducer installation error correction circuit
Power ratings	AC 100/110/115/220 V, 1φ, 50/60 Hz, 50 VA

Main Display Unit (Analog)

Operating mode	Ultrasonic paired-beam pulsed Doppler system
Operating frequency	2 MHz
Speed range	-5 ~ +25 knots
Display system	Analog meter system
Measuring accuracy	±1 % (distance), ±0.1 knot (speed)
Trip distance display	0 ~ 9999.9 nautical miles (with reset button)
Speed alarm	Free speed setting, alarm buzzer sounding
Trip distance outputs	200 pulses/mile contact signals × 2 circuits (× 3 circuits optional)
Auxiliary functions	1) Self-test circuit 2) Transducer installation error correction circuit
Power ratings	AC 100/110/115/220 V, 1φ, 50/60 Hz, 50 VA

Design and specifications are subject to change without prior notice, and without any obligation on the part of the manufactures.

TOKIMEC

TOKIMEC INC.

CONTROL SYSTEMS DIVISION

Head Office: 2-16-46, Minami-Kamata, Ota-ku, Tokyo 144, Japan
Tel: (03) 3737-8631 Fax: (03) 3737-8666

TOKIMEC EUROPE B.V.: Beurs-World Trade Center, Room 410
Beursplein 37, P.O.Box 30210, 3001 DE Rotterdam,
The Netherlands
Tel: 10-4051260 Fax: 10-4055042