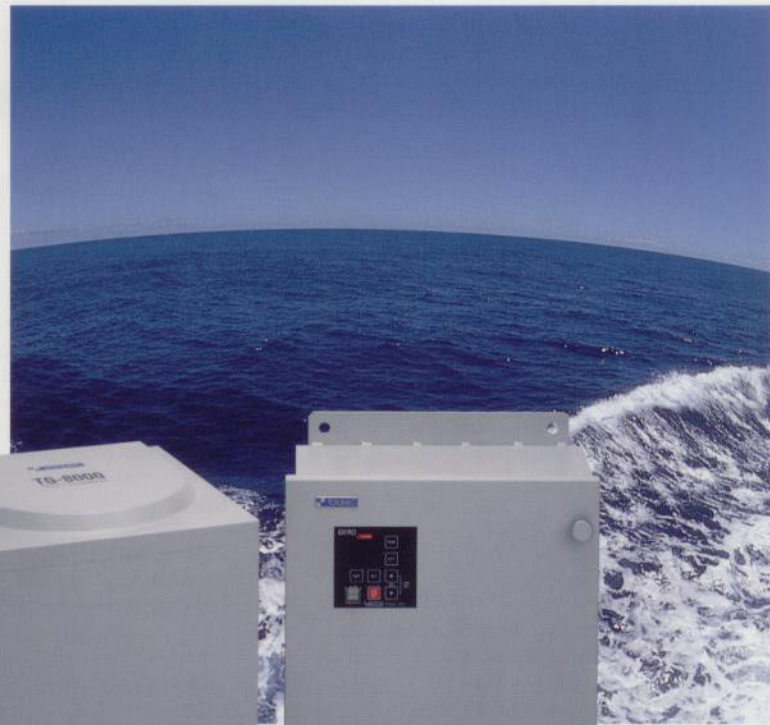


Gyrocompass

TG-8000/8500

TG-8000/8500 is designed based on our previous TG model which has been installed on more than 8000 ships, keeping its high reliability, enhanced follow-up performance and interfacing features for equipment. The TG-8000 is designed for standard IMO ship application whereas the TG-8500 is designed for High-Speed Craft application.



Features

- Suitable for speeds of up to 70knots (TG-8500)
- Fast follow-up rate (maximum 75°/s)
- Fast serial data output (IEC61162-2)
- Interfaces with external heading sensor.
- Minimal system components for dual gyro system for space saving & installation cost.
- Startup-timer function

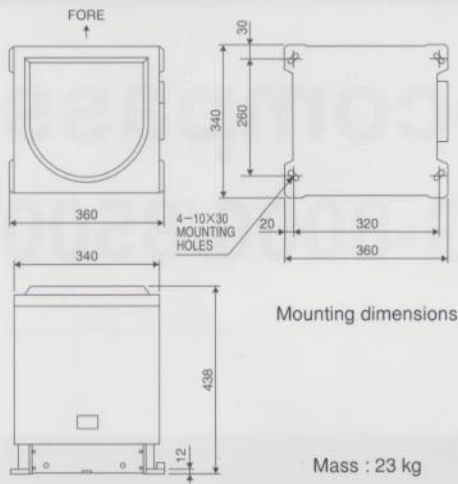
TG-8000 : IMO regulated vessels
 IMO A424 (XI) ISO 8728
 TG-8500 : High Speed Craft
 IMO A821(19) ISO 16328 HSC



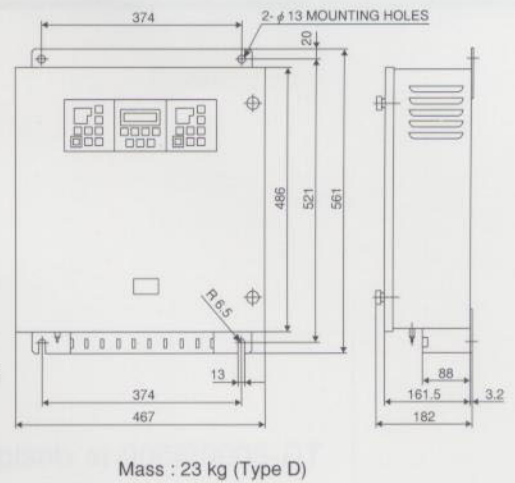
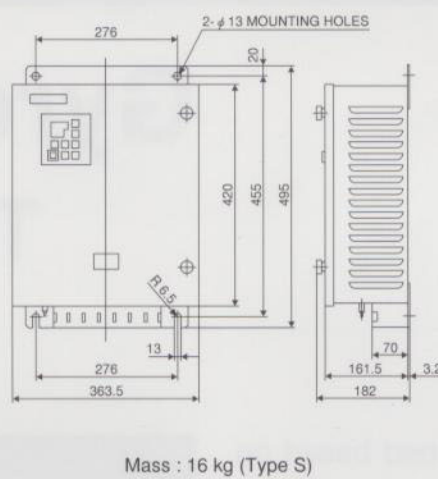
0062/

Configurations

Master compass



Control unit



Specifications

General Specifications

Power Supply	
Main Power Supply	: AC100/110/115/220 V 1 φ 50/60 Hz
Emergency Power Supply	: DC24 V
Power Consumption	
Starting	: 140 VA
Operating	: 70 VA
Repeaters	: 150 VA 1/6° 3 φ 9 Ports
Output Signal	: DC24 V Stepper, 9 Repeaters (include Auto Pilot)
	: IEC61162-1ed.2 or IEC61162-2 5 ports (include Auto Pilot)
	: Rate of turn -5 V~+5 V/30° / min
	-10 V~+10 V/120° or 300° / min 3 ports
	: Dry Contact (Operation, Alarm)
Input Signal	
	: Speed : 200 or 400 pulses/nm (Dry contact)
	: IEC61162-1ed.2
	: Position (GPS) : IEC61162-1ed.2
	: External Heading Input : IEC61162-1ed.2 or IEC61162-2
	: Dry Contact (Alarm Ack, Buzzer Stop)

Performance Specifications

Settling Accuracy	
Settling Time	: Less than 4 hours
Settling Point Error	: Less than ± 0.3°
RSM Value	: Less than 0.1°
Repeatability	: Less than ± 0.2°
Accuracy on Scorsby Table	: Less than ± 0.5°
Master-compass follow up rate	: Maximum 75° /s
Accuracy Under Environmental Variation	: Less than ± 0.5° (Condition : ISO8728 / ISO16328)
Environmental Conditions	
Permissible Roll and Pitch angle	: ± 45°



CAUTION

Before operating this equipment, you should first thoroughly read the operator's manual.

Design and specifications are subject to change without prior notice and without any obligation the part of the manufacturer.

TOKIMEC

TOKIMEC INC.

www.tokimec.co.jp/marine/

Control Division I Marine Systems

Head Office: 2-16-46, Minami-Kamata, Ohta-ku, Tokyo 144-8551, JAPAN
Phone : +81-3-3737-8611 Fax : +81-3-3737-8663

Shanghai Representative Office: Room 805, Part C of Orient International Plaza,
No.85 Lou Shan Guan Road, Shanghai 200336 China
Phone : +86-21-3223-1252 Fax : +86-21-6278-7667

TOKIMEC U.S.A., INC. 445 South Figueroa St. Suite 3770, Los Angeles, California 90071 U.S.A.
Phone : +1-213-689-4747 FAX: +1-213-689-0303