



# DOPPLER LOG

## JLN-205

MED Certificate Number : QQ-MED-39/04-01

**Stable & high accurate measurement**  
**Easy reading of speed indication**



*Japan Radio Co., Ltd.*

# JLN-205

The JLN-205 Doppler Log is designed as a device of ship speed measurement and information. The JLN-205 utilizing high frequency of ultrasonic wave brings high stability and accuracy of speed measurement. In addition, a miniaturized transducer will enable to install on the bow where is in less influence against tiny bubbles.

This equipment is complied with the following standards.

IMO Resolution A.824(19), Revised IMO Resolution MSC.96(72), IMO Resolution A.694(17).  
IEC60945:2002, IEC61162-1:2000



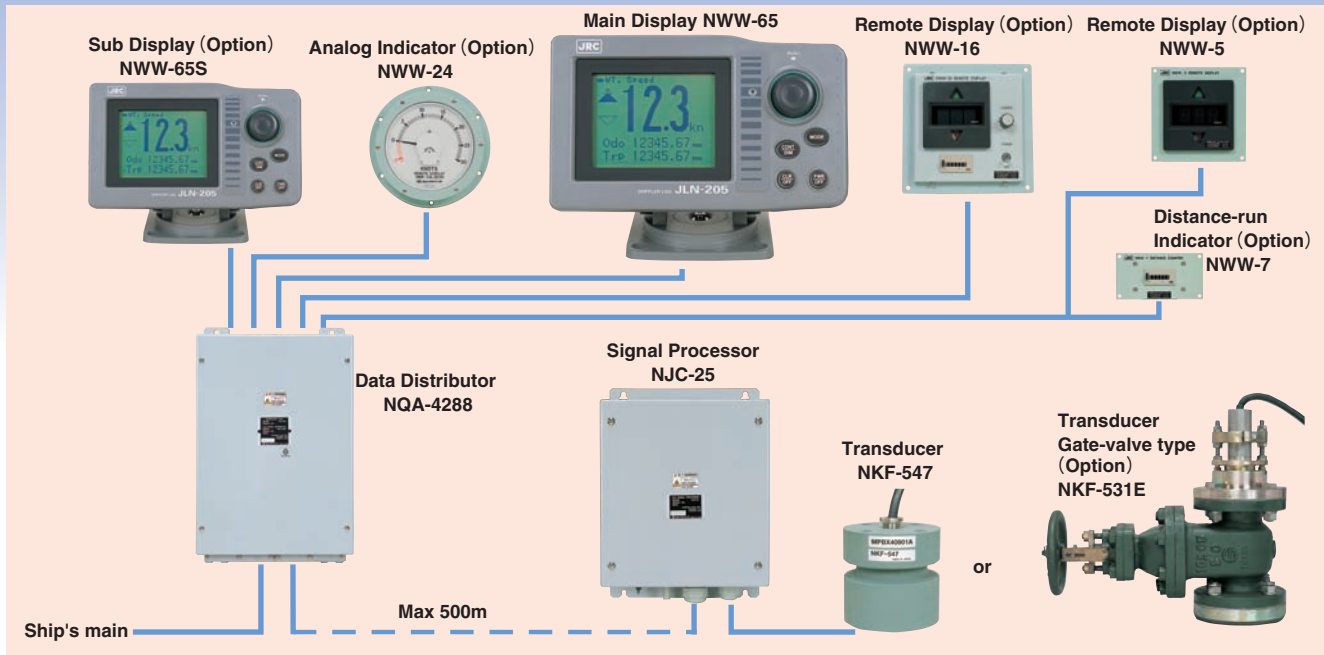
## FEATURES

- Ensuring accurate measuring and stable indicating of ship speed since measurement is insensible to bubbles generated in navigation.
- The installation on bow of what is less bubbles influence will be accomplished with a miniaturized transducer.
- The large characters in main display helps easy glance.
- To enable connecting GPS receiver will bring comprehensive speed information calculated by GPS information.
- Various option units can help to configure an optimal Doppler Log system.

## SPECIFICATIONS

Operating Method	Dual beam, pulse Doppler sensing
Frequency	2MHz
Speed Range	-10.0 to +40.0 knot
Distance-run Range	0 to 99999.99 nm *Note: NWW-7 optional indicator allows the range from 0 to 9999.99 nm
Depth Range	3m or more (below hull bottom)
Accuracy	+/- 1% or +/- 0.1 knot whichever is greater +/- 1% or +/- 0.1 nm whichever is greater
Indication	Digital indicator Analog indicator (where using option unit of NWW-24 / 25 / 26)
IEC61162-1 Input	RMC, RMA or VTG (for SOG indication from GPS receiver)
IEC61162-1 Output	8 port / \$VDVBW, \$VDVLW sentence
Other Outputs	for Analogue indicator: 2 circuits / Pulse for distance-run : 4 circuits / Contact closure: 1 circuit / for Sub display: 2 circuits / for Distance-run indicator: 1 circuit / for Remote display: 1 circuit / for Remote diagnostic data port: 1 circuit / for power fail: 1 circuit
Power Supply	100 / 110 / 115 / 220 / 230 Vac +/- 10%, 50/60Hz, 1-phase
Power Consumption	100VA or less
Operating Temperature	-15 to +55 deg. C

## CONNECTION DIAGRAM



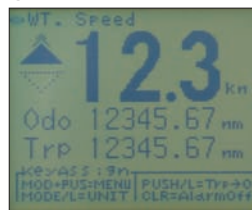
Main Display can provide suitable viewer from various screen types.



Normal viewer



with large character



with instruction comment



graphic viewer

## STANDARD COMPONENTS

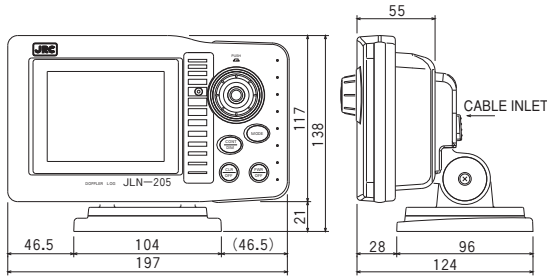
No.	NAME	TYPE	Q'TY	REMARKS
1	Main Display	NWW-65	1	Desktop, (Flush mounting kit : option) , with a cable of 5m length
2	Data Distributor	NQA-4288	1	
3	Signal Processor	NJC-25	1	IP×5
4	Transducer	NKF-547	1	With a cable of 30m length
5	Spare Parts	7ZXBS0020	1	
6	Instruction Manual	7ZPBS2803		

## OPTION COMPONENTS

No.	NAME	TYPE	Q'TY	REMARKS
1	Sub Display	NWW-65S	Max. 2	
2	Analog Indicator	NWW-24	Max. 2	Flush mouting
3		NWW-25		Bulkhead mounting / Waterproof
4		NWW-26		Panel mounting
5	Remote Indicator	NWW-5	Max. 1	Ship's speed (fore / aft)
6	Remote Indicator	NWW-16		Ship's speed (fore / aft) / Distance-run / Indication range: 9999.99 nm
7	Distance-run Indicator	NWW-7	Max. 1	Ship's speed (fore / aft) / Distance-run / Indication range: 9999.99 nm
8	Dimmer Unit	NCM-227D	-	For main / sub display
9		NCM-329	-	For analog indicator
10		NCM-227	-	For remote indicator
11	Connection Box	NQD-2025	1	for extension between NWW-65 and NQA-4288
12	Transducer(Gate-valve type)	NKF-531E	1	With a cable of 25m length
13	Flush mounting kit	MPTG30432	-	for Main / Sub Display

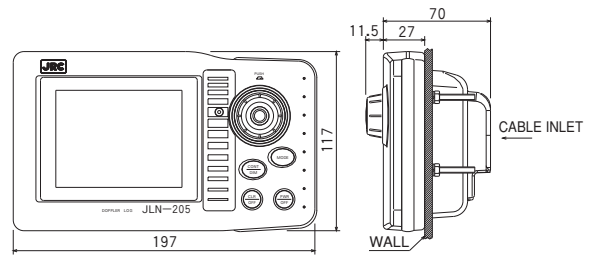
# DIMENSIONS

## Main Display NWW-65



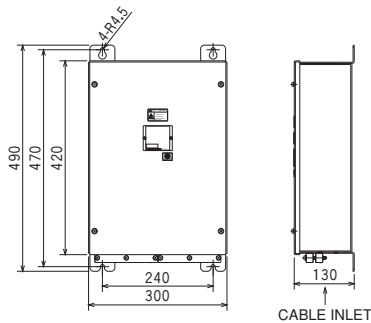
Unit : mm Weight : 0.8kg

## Main Display Flush-mounting type (NWW-65)



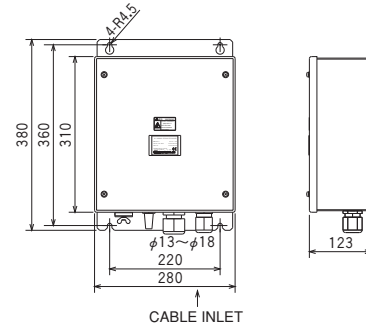
Unit : mm Weight : 0.8kg

## Data Distributor NQA-4288



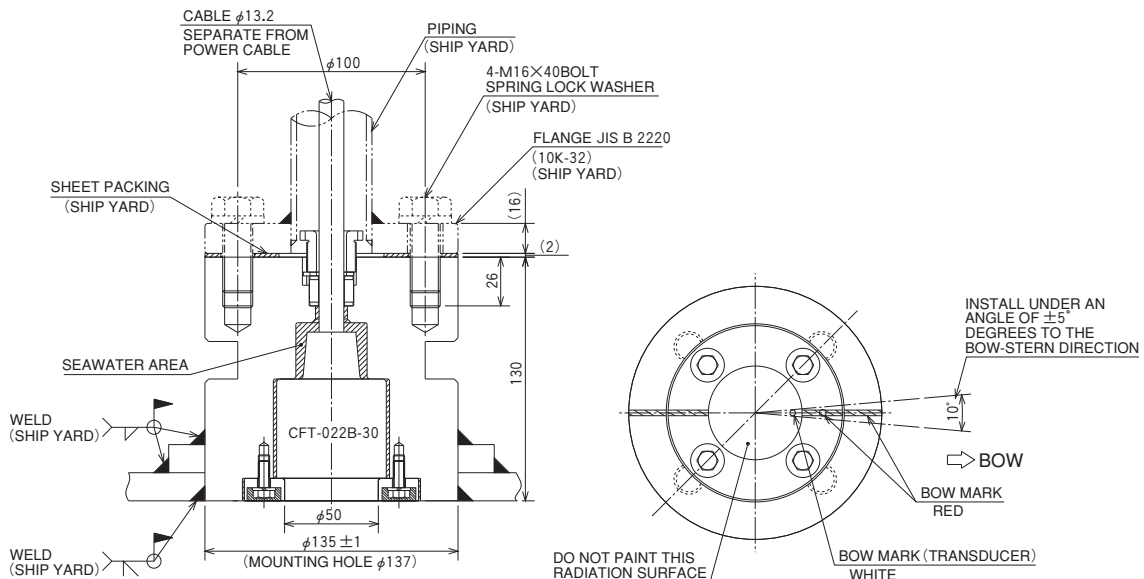
Unit : mm Weight : 6kg

## Signal Processor NJC-25



Unit : mm Weight : 10kg

## Transducer NKF-547



Unit : mm Weight : 17kg

• Specifications may be subject to change without notice.

For further information, contact:



Since 1915

**Japan Radio Co., Ltd.**

URL <http://www.jrc.co.jp/eng/>

**Main Office:** Fujisawa bldg. 30-16, Ogikubo 4-chome  
Suginami-ku, Tokyo 167-8540, Japan  
Telephone: +81-3-6832-1816  
Facsimile: +81-3-6832-1845

**Overseas Branches :** Seattle, Amsterdam, Athens, Manila  
**Liaison Offices :** Taipei, Jakarta, Singapore, Hanoi,  
Shanghai, Hamburg, New York