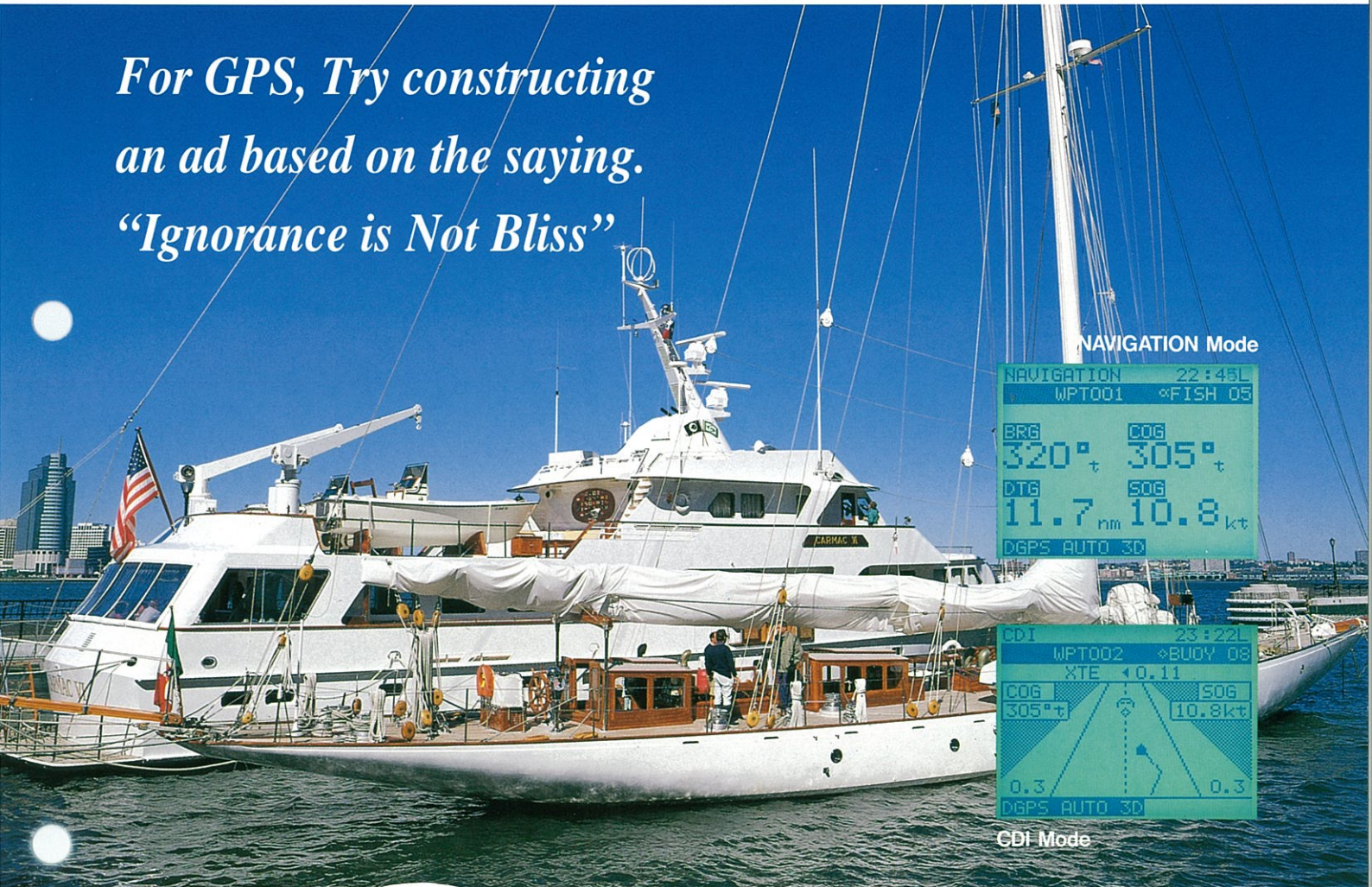


# JRC GPS / DGPS DISPLAY

## J-NAV 500

*For GPS, Try constructing  
an ad based on the saying.  
"Ignorance is Not Bliss"*



GPS SENSOR  
GPS 112  
(option)



DGPS SENSOR  
DGPS 212  
(option)

- GPS sensor GPS 112 or DGPS sensor DGPS 212 can be connected.
- Large LCD display to provide many graphical modes (CDI mode, PLOT mode, etc).
- Up to 20 routes and 499 waypoints are easily stored.



Mount the J-NAV 500 display unit anywhere you want because it's totally splashproof.

Connect the optional GPS 112 GPS Sensor or DGPS 212 DGPS Sensor and it continuously tracks 8 satellites to give you an instant and accurate GPS position. Select a NAV, CDI, position or plotting screen 1/8 to 100nm scale and easily customize the display to show the information you need.

With DGPS 212 DGPS Sensor, your fixes will always be accurate within 15 feet (5meters).

20 routes and 499 waypoints can be stored in the J-NAV500. Scroll through them numerically or alphabetically.

## SPECIFICATIONS

### 1.1 General

Display Type	STN LCD, 128×100 dots
Display Size	79×61mm
LCD Contrast	Set by Temperature sensor and manual.
Back Lighting	EL for LCD and LED for keyboard.
Dimmer	High-Low via keyboard.
Magnetic Variation	Automatic with year table and Manual
Geodetic Database	46 Geodetic datum.
Position Correction	By Geodetic datum or manual L/L entry
Waypoint Entry	Lat/Lon, TD and Bearing/Range
Waypoint Memories	a) 499 with up to 8 character alphanumeric designation. b) Selectable memory location. c) Scrolling waypoint list d) Sort waypoint (alphabetically, or numerically)
Event Marks	499 Maximum (include waypoints) ; Save to next available waypoint memory with data stamp.
Selectable Units	NM/KT, SM/MPH, KM/KPH
Route Plan	20 plans 200 Waypoints maximum.
Plot Function	1/8 NM to 100 NM.
Alarm	Waypoint Arrival, Cross Track Error, or Anchor Watch by selected distance, no fix.
Mode Display	D-GPS mode, and GPS position display.
Data Input	From other equipments in NMEA(WPL, RTE).
Data Output	Single output port. NMEA 0183 (Version 1.5/2.1 selectable) GLL, VTG, APB, BWC, GGA, RMC, and RMB sentences.
Averaging	1 to 99 sec. settable
Memory Backup	Lithium battery.
Power Requirements	10.8-16 VDC, less than 4 W (without GPS receiver)

### Special Modes

- a) Man Overboard (MOB).
- b) Simulator built-in
- c) Multi-language : English, German, Norwegian, French, Spanish, Italy and Japanese.
- d) B/R calculation between any two waypoint.
- e) DGPS alarm.

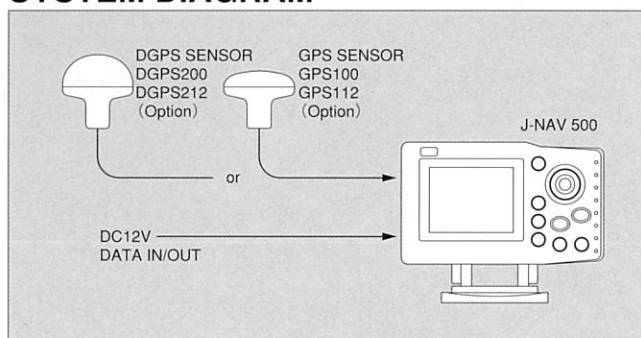
### 1.2 Display Data

Lat. And Long.	N or S+7 digits, .001min E or W+8 digits, .001min
LORAN C time difference	6 digits respectively 0.1 $\mu$ sec.
Antenna Height	4 digits ; 1 meter resolution
Time to Go	4 digits ; max 99:59
Speed & Course	To 0.1 kt or 0.1 km/h resolution.
Cross Track Error	Graphic and direction indicator.
Time	Date and time in Local or UTC.
Receiving Signal Status	GPS Satellite signals and beacon signal
Offline CC	Lat/Lon and converted TD.
Bearing	3 digits, 1 degree resolution.
Range	4 digits, 0.01 NM resolution.

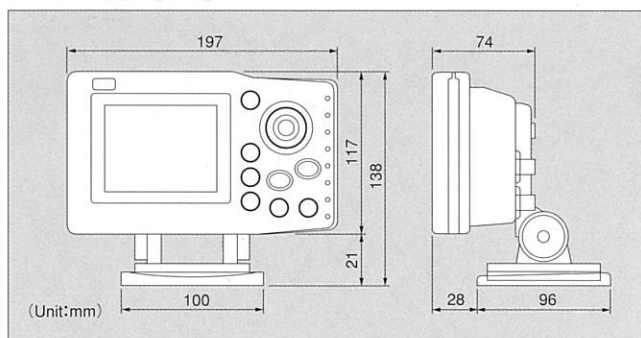
### 1.3 Physical and Environmental

Operating Temperature	-15°C to +15°C
Water Proof JIS IPX5	
Dimensions/Weight	(H)138×(W)197×(D)124mm/0.9kg

## SYSTEM DIAGRAM



## DIMENSIONS



• Specifications may be subject to change without notice.

For further information, contact:



**Japan Radio Co., Ltd.**  
Since 1915

URL <http://www.jrc.co.jp/eng/>

**Main Office:** Nittochi Nishi-Shinjuku bldg.  
10-1, Nishi-Shinjuku 6-chome  
Shinjuku-ku, Tokyo 160-8328, Japan  
Telephone: +81-3-3348-4099  
Facsimile: +81-3-3348-4139

**Overseas Branches :** Seattle, Amsterdam, Athens  
**Liaison Offices :** Taipei, Manila, Jakarta, Singapore,  
Hanoi, New York