

Unattended Reception and Print-out of Up-to-date Navigation and Weather Information

NAVTEX is an international maritime radio telex system implemented as one of the important elements of the Global Maritime Distress and Safety System (GMDSS) sponsored by IMO (International Maritime Organization) and IHO (International Hydrographic Organization).

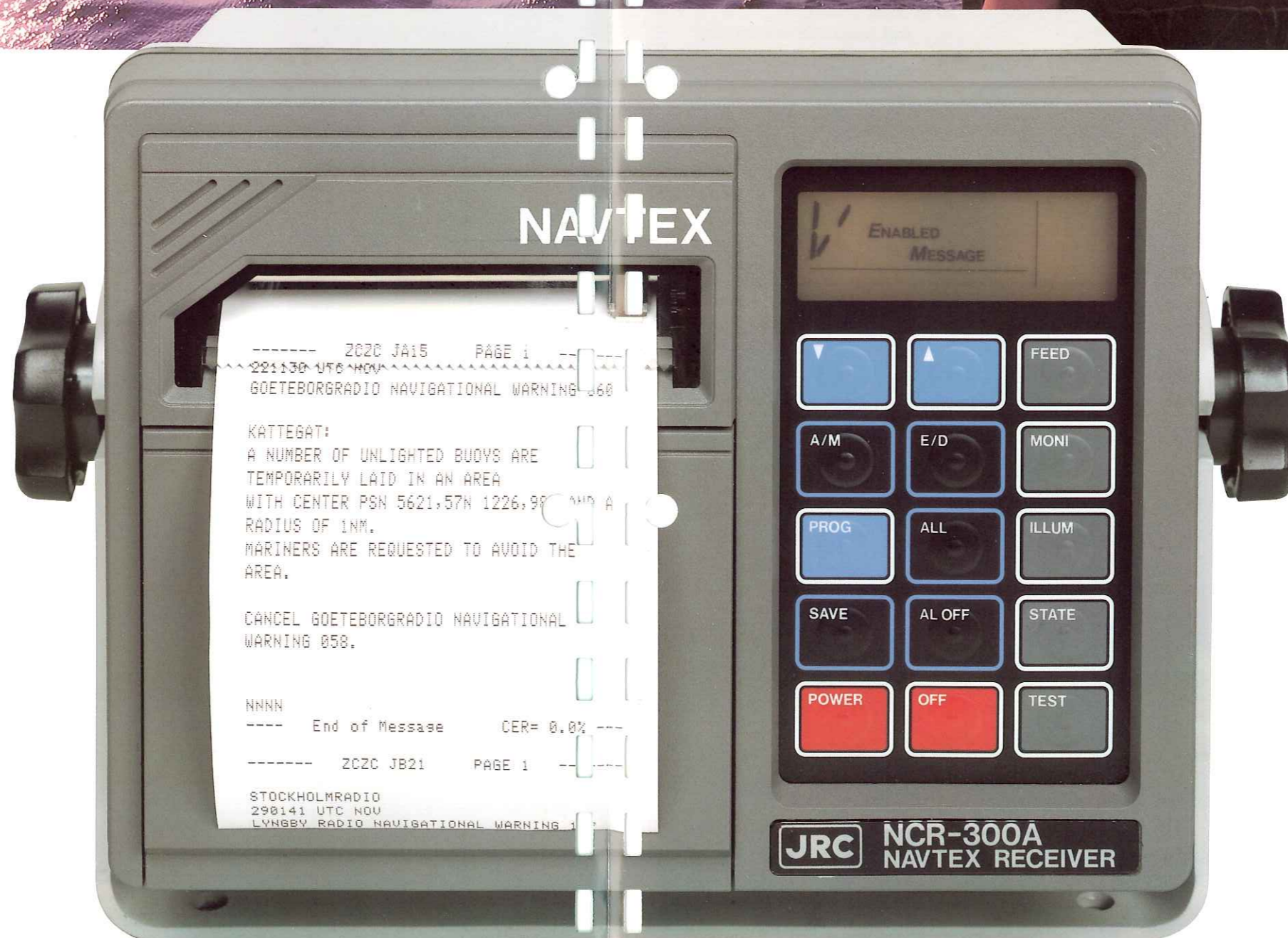
This system provides all ships sailing in inshore areas within 200 to 400 miles from shore with general marine safety information broadcast on 518kHz on a schedule from NAVTEX coastal stations supervised by IMO 16 NAVAREA co-ordinators.

The NCR-300A NAVTEX Receiver is a compact automatic receiver with a built-in small printer, which can automatically receive the broadcast telex information including navigational and meteorological warnings, search and rescue (SAR) alerts and other information on a 24-hour watch basis.

The received messages are once stored in the memory, then edited to be printed out in a given print format on the small printer.

The NAVTEX Receiver is designed for flexible installation on a desk top, bulkhead or overhead on board all types of ship, from fishing or pleasure boats to large ocean-going vessels.

All new and existing ships over 300 gross tons will have to fully comply with IMO GMDSS requirements for NAVTEX receivers after August 1st, 1993.



Full Scale

FEATURES

- Designed to fully comply with IMO, CCIR, CEPT and MPT 1204 class B standards.
- Compact, lightweight, low-cost design.
- Flexible installation on a desk top, bulkhead or overhead.
- Simple operation and easy-to-see display.
- Self-diagnostic testing facility.
- Character error rate (CER) printed out at message end.
- Preamble (message ID) and the reason for nonprint message presented on LCD.
- Overlapped operations of reception and programming.
- Overlapped operations of reception and status printout.
- Print, display and erase of stored message ID

STANDARD COMPONENTS

NAVTEX Receiver, NCR-300A
Mounting Yoke, MPBX 16298
Mounting Screw
Thermal Printing Paper, FG65BU-2 25m
Spare Parts (2 fuses)
Instruction Manual
Operation Card

OPTION

Active Antenna, NAW-300A
Power Supply Unit, NBG-122

Dimension : 138W×100H×92Dmm
Weight : Approx. 1.3kg

SPECIFICATIONS

RECEIVER

Receiving frequency : 518kHz
 Receiving mode : F1B NAVTEX broadcast
 Sensitivity : CER better than 1×10^{-2} at $1 \mu\text{V}$ input
 Frequency stability : $\pm 15\text{Hz}$
 External AF input : $1700 \pm 85\text{Hz}$, 0 dBm, 600 ohms
 Antenna input : 50 ohms for active/wide-band antenna, and high impedance for wire antenna

PROCESSOR

Signalling mode : 7-unit SITOR code and NAVTEX decoding in accordance with CCIR Rec. 476-3, 625 B-mode and 540-1

PRINTER

TYPE : Thermal, 40-characters/line
 Character size : 7×5 dot matrix
 Paper roll : 80mm-wide \times 25m-long, thermal printing paper
 Paper out : Audible alarm and P-OUT flicker on LCD

CONTROLS

Power ON/OFF ; Programming of AREA, MESSAGE, LOGGING, and SAVE mode (option) ; Paper feed ; Alarm OFF ; Programed Status Print-out ; TEST (self-diagnostic) ; Lighting (for printing paper, LCD and switches), etc.

DISPLAYS

Selected/rejected AREA ; Selected/rejected MESSAGE
 ALARM DISABLE ;
 Received message ; Paper-out ; Urgent message receiving ; Save (option)

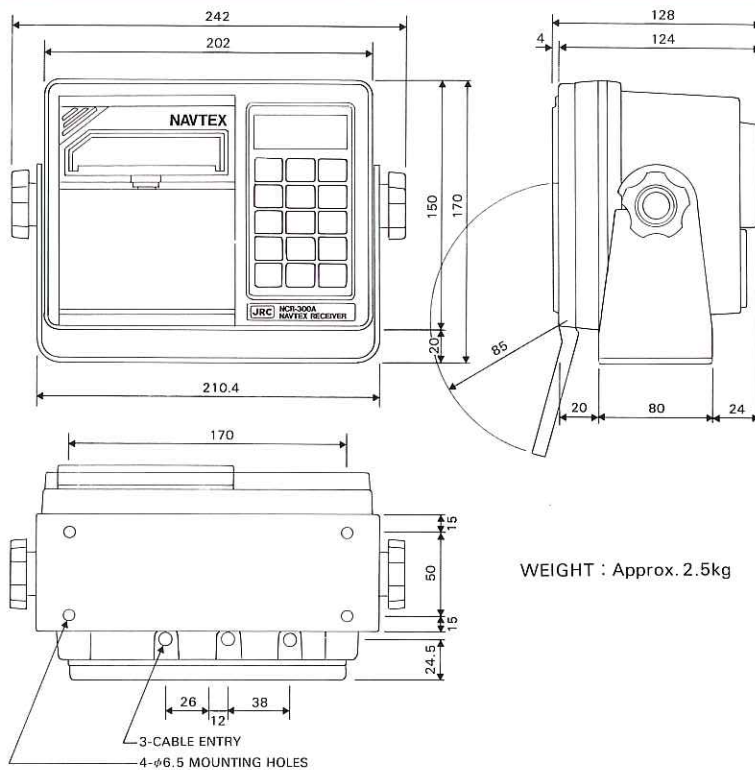
ALARMS

Urgent message ; Paper-out

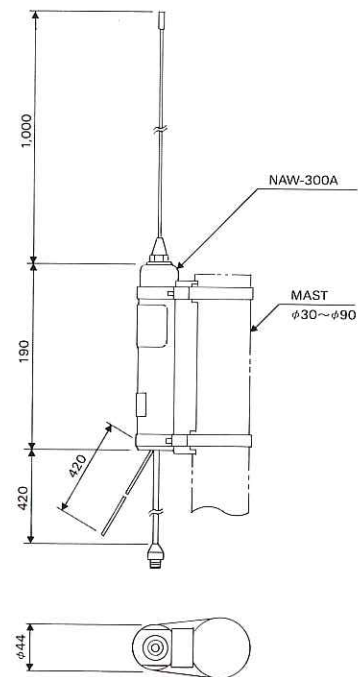
GENERAL

Power supply : 10.8 to 35V DC or 100/110/120/220/240V AC with power supply unit (NBG-122 option)
 Power consumption : 5W(standby at 24V) ; 7W(operating at 24V)
 Ambient temperature : -15 to 55°C (operational)
 -25 to 75°C (storage)
 Ambient humidity : Up to 95% at 40°C
 Mounting : Desk-top, bulkhead or overhead

DIMENSIONS



NAVTEX RECEIVER NCR-300A



WEIGHT : Approx. 0.5kg

ACTIVE ANTENNA NAW-300A

Specifications subject to change without notice

For further information, contact:

JRC Japan Radio Co., Ltd.

Since 1915

Main Office: Akasaka Twin Tower(Main),
 17-22, Akasaka 2-chome,
 Minato-ku, Tokyo 107, JAPAN
 Telephone: Tokyo(03)3584-8789, 8832
 Facsimile: Tokyo (03)3584-8795
 Telex: 2425420 JRCTOK J
 Cable: JAPANRADIO TOKYO

Overseas Branches: London, New York
 Liaison Offices: Jakarta, Bangkok, Manila, New Delhi,
 Manchester, Rio de Janeiro,
 Portsmouth, Rotterdam, Las Palmas 14EM