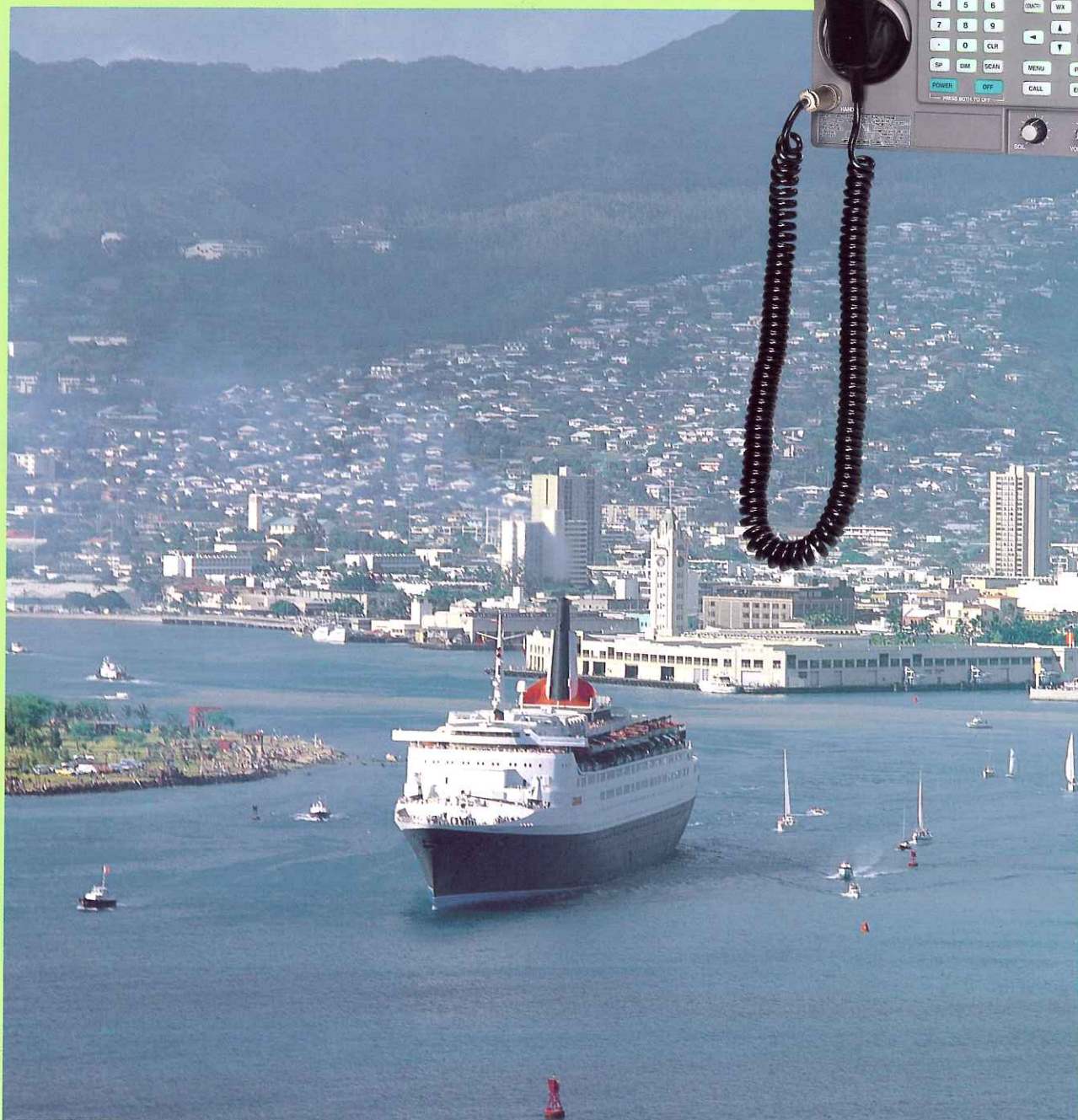


JRC VHF/FM MARINE RADIOTELEPHONE

JHS-32A



Designed in compliance with the GMDSS carriage requirements.



SPECIFICATIONS

● JHS-32A VHF radiotelephone

Transmission frequency range : 155.000 to 159.500 MHz
Reception frequency range : 155.000 to 159.500 MHz (simplex)
 160.600 to 163.500 MHz (duplex)
Channel capacity : Up to 57 ITU/USA/
 Canadian channels
 Up to 99 private channels
 Up to 10 memory channels
 9 weather channels
 (For reception only)
Channel spacing : 25 kHz/10 kHz
Mode of operation : Simplex or duplex
 (Simplex or semi-duplex
 on private channels)
Mode of modulation : G3E, G2B (F3E, F2B)
Frequency accuracy : $\pm 10 \times 10^{-6}$ or less
Antenna impedance : 50 ohms, unbalanced
Output power : 25 W/1W, selectable
Receiver sensitivity : $2 \mu V$ or less (20 dB NQ)
Receiver sensitivity (DSC) : 1% or less symbol error
 rate at $1 \mu V$ antenna input.
Major operation items : Starting and stopping
 distress alert

● CH70 DSC Watchkeeping Receiver (Built-in)

Reception channel : Channel 70 (156.525 MHz)
Mode of modulation : G2B (F2B)
Frequency accuracy : $\pm 10 \times 10^{-6}$ or less
Antenna impedance : 50 ohms, unbalanced
Receiver sensitivity : 1% or less symbol error rate
 at $1 \mu V$ antenna input.

Major display items :

Setting transmitter/
 receiver channels and
 transmission power
 Adjusting dimmer, squelch,
 and volume
 For telephone mode :
 transmitter/receiver
 channels, status of
 operation modes, date,
 time, and position
 For DSC mode : message
 (9 lines \times 40 characters),
 error display and operation
 guide
 (4 lines \times 40 characters)
Power supply voltage : 100 to 120 VAC (50/60 Hz) or
 200 to 240 VAC (50/60 Hz),
 and 24 VDC (21.6 to 31.2VDC)
Power source selection : Normally AC operation.
 Automatic switching to
 DC operation at AC power
 failure.

Power supply voltage :

Power source selection :

● NCH-414 Remote Controller

Operation and display items : The same as the JHS-32A
Power supply voltage : 100 to 120 VAC (50/60 Hz)
 or 200 to 240 VAC(50/60 Hz),
 and 24 VDC (21.6 to 31.2VDC)
Power source selection : Normally AC operation.
 Automatic switching to
 DC operation at AC power
 failure.

● NKG-52 Printer

Printing system : Thermal type serial dot printer
Input interface : Centronics (15 pin D-Shell)
Input data : 8 bit parallel
Character format : 7 \times 5 dot matrix
Printing paper : FH65BU-2 thermal paper,
 80 mm wide
Power supply : 5 VDC, 3 W maximum
 (To be supplied from the
 JHS-32A)

● NRE-332 Guard Receiver

Mode of reception : Simultaneous reception of
 two selected channels
Reception channels : Up to 57 ITU/USA channels
Mode of modulation : G3E (F3E)
Frequency accuracy : $\pm 10 \times 10^{-6}$ or less
Antenna impedance : 50 ohms, unbalanced
Receiver sensitivity : $2 \mu V$ or less (20 dB NQ)

Power supply voltage : 100 to 120 VAC (50/60 Hz)
 or 200 to 240 VAC(50/60 Hz),
 and 24 VDC (21.6 to 31.2VDC)
Power source selection : Normally AC operation.
 Automatic switching to
 DC operation at AC power
 failure.

COMPONENTS

● BASIC SYSTEM COMPONENTS

Component	Model	Quantity	Remarks
VHF Radiotelephone (with built-in DSC watchkeeping receiver)	JHS-32A	1	With handset and spare fuses (200%)
Whip Antenna	WH-150-3M	2	With Mounting bracket
Coaxial Connector	N-P-10U	4	
Instruction Manual		1	
Test Data		1	

● OPTIONS

Component	Model	Remarks
Handset Connection Box	NQE-846	Watertight type for wings
Handset Connection Box	NQE-847	Indoor flush-mount type
Spare Handset	HS-6000J5	
Handset Hook	UBP-51-10	
Printer	NKG-52	With printer cable and printing paper (1 roll)
Printing Paper	FH65BU-2	For NKG-52, 25 m long roll
Cable for Centronics Printer	6ZCJD61000	1m to 10 m long (To be specified by customer)
Remote Controller	NCH-414	With handset, Up to 3 controllers can be installed.
Guard Receiver	NRE-332	
External Speaker	NVS-423	Bulkhead mount type
External Speaker	NVS-423A	Flush-mount type
Antenna	NAV-70A	Dipole type
Antenna Supporting Stay	XP-7983B	For NAV-70A
Antenna Mounting Bracket	MPBP30089	For NAV-70A, made of stainless steel (Two pieces are necessary.)
Coaxial Cable	RG-10/UY	For antenna cable
Flush-mount fitting	4B21367	For JHS-32A
Flush-mount fitting	4B21368	For NCH-414
Flush-mount fitting	MPBP02915	For NKG-52
Flush-mount fitting	4B21369	For NRE-332



JHS-32A
VHF Radiotelephone



NCH-414
Remote Controller



NRE-332
Guard Receiver



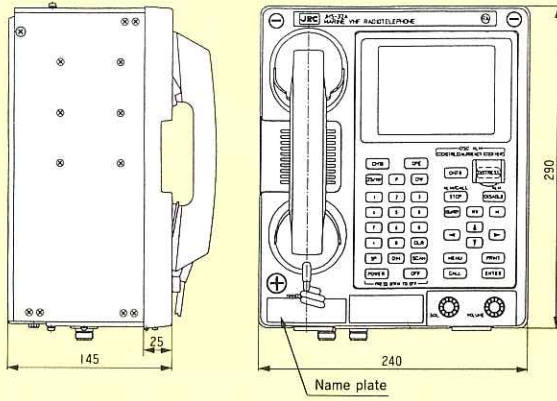
NKG-52
Printer

FEATURES

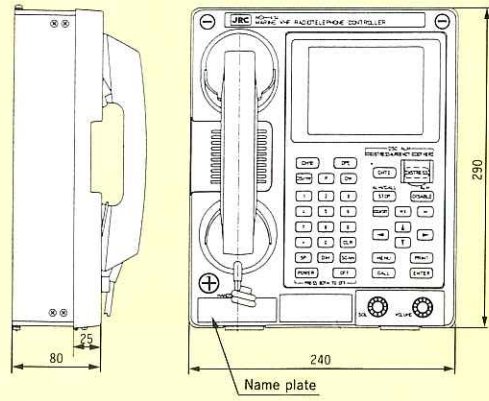
- The JHS-32A VHF radiotelephone meets the ITU Radio Regulations, IMO Performance Standards, and CCIR Recommendations.
- The JHS-32A VHF radiotelephone covers all channels specified in the ITU Radio Regulations.
- The JHS-32A VHF radiotelephone can be easily installed in a narrower space because all the necessary units, transmitter/receiver, antenna duplexer unit, DSC unit, CH 70 DSC Watchkeeping Receiver and power supply are built-in in a compact body.
- The JHS-32A VHF radiotelephone incorporates a large graphic LCD with wide angle of visibility. The LCD does not limit the place for installation.
- The JHS-32A VHF radiotelephone guides the operator on the LCD display how to operate according to the needs of the operator, by selecting the desired item from the menu. This makes any operation easy, DSC operation in particular.
- The JHS-32A VHF radiotelephone can be used with the NKG-52 dedicated printer or a general purpose printer with CENTRONICS interface. The connected printer automatically prints out the message for DSC transmission and reception. The message stored in memory can be manually printed out later on.
- The brightness of LCD and keypad backlighting is widely adjustable, not disturbing the night watch.
- In addition to the channels specified by Radio Regulations, the JHS-32A VHF radiotelephone covers USA channels, Weather channels, and Canadian channels available along the coast of North America. Up to 99 private channels can also be incorporated.
- The JHS-32A VHF radiotelephone incorporates memory channels, memory scanning function, scanning function of all channels or desired channels, and dual watching functions. These functions are convenient for watching the particular channels.
- Besides the usual radiotelephone communications, distress, urgency, safety, and routine calls are available. When the coast station offers automatic connection service to the public telephone subscribers, the service can be available by inserting the desired telephone number in the DSC message.
- The JHS-32A VHF radiotelephone has the interface to receive position and time data from a navigation equipment such as GPS. At the distress call transmission, the position and time data is automatically inserted in the DSC message to be transmitted. When receiving the area call, the JHS-32A VHF radiotelephone automatically checks whether own ship is in the concerned sea area, by referring to the position data from the navigation equipment. When normal operation, the position and time data from the navigation equipment is available on the LCD at any time for the convenience of checking and reporting the position of the ship.
- The JHS-32A VHF radiotelephone can be connected up to three remote controllers with which the same operation as those available on the JHS-32A VHF radiotelephone.
- By installing the NRE-332 Guard Receiver, the operator can keep a continuous watch on any two legal channels independently from the JHS-32A, required by the Administration of specific countries.
- The JHS-32A VHF radiotelephone can be set so that it automatically terminates transmission with an alarm, according to the FCC Regulations in the USA, when transmission continues for five minutes.
- The JHS-32A VHF radiotelephone is provided with the self-diagnostic and error display functions to ensure ease of checking and maintenance.
- The JHS-32A VHF radiotelephone incorporates the automatic power reduction circuit. The circuit protects the transmission circuitry from damage in case of high SWR due to antenna or antenna cable failure.



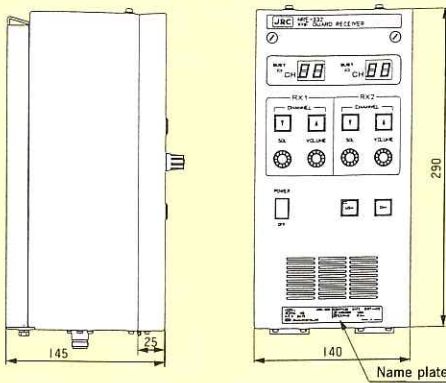
DIMENSIONS



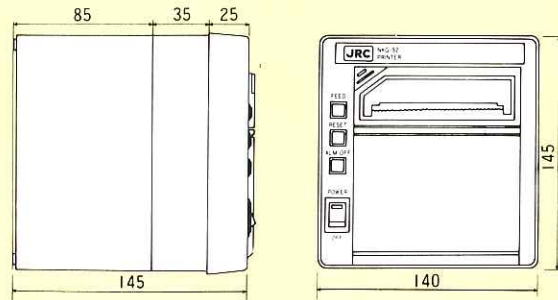
JHS-32A VHF Radiotelephone (with DSC Watchkeeping Receiver)
Weight : Approx. 10.5 kg



NCH-414 Remote Controller
Weight : Approx. 5 kg



NRE-332 Guard Receiver Weight : Approx. 5 kg



NKG-52 Printer Weight : Approx. 1.5 kg

Design and specifications in this catalog are subject to change without notice.

For further information, contact:

CODAR (Pte.) LIMITED
315 OUTRAM ROAD # 11-06/07/08
TAN BOON LIAT BUILDING
SINGAPORE 169074
TEL: 2210310
FAX: 2240890



Since 1915

Japan Radio Co., Ltd.

Main Office: Akasaka Twin Tower(Main),
17-22, Akasaka 2-chome,
Minato-ku, Tokyo 107, JAPAN
Telephone: Tokyo(03)3584-8789, 8832
Facsimile: Tokyo (03)3584-8795
Telex: 2425420 JRCTOK J
Cable: JAPANRADIO TOKYO

Overseas Branches: London, New York
Liaison Offices: Jakarta, Bangkok, Manila, New Delhi,
Hudson, Calgary, Rio de Janeiro,
Portsmouth, Rotterdam, Las Palmas 12EM