

FURUNO®

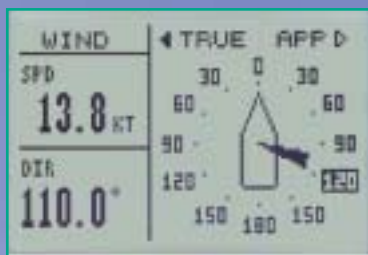
Navigational data organizer

REMOTE DISPLAY UNIT

Model RD-30



Speedometer



Anemometer



- Organizes operation of GPS, VideoPlotter, radar, echo sounder, etc. for user's preference
- NMEA 0183 or IEC 61162-1 digital interface
- Positive display of own ship position, speed, course, water temperature, depth, speed and direction of current and wind
- AIRMAR Smart Sensor™ providing water temperature, water depth and speed relative to water
- Audible alarms for course error, ship speed, cross track error, temperature, depth, arrival
- High contrast 4.5" Silver Bright LCD display, night and day light viewable

The RD-30 is a navigational data organizer that allows the operator to select the preferred display from interfaced equipment such as GPS, VideoPlotter, Radar and echo sounder, autopilot and various sensors for water temperature, tide and wind.

The compact, high contrast Silver Bright 4.5" LCD may be installed in a limited space, remote from its source.

Five display modes are available including Speedometer, Highway and Text. The text mode presents up to four of the most necessary types of data. The display layout can be customized for your specific needs.

AIRMAR Smart Sensor™ is available. It contains the functionality of measuring water temperature, water depth, speed relative to water, and NMEA interface all in one and is connected to the RD-30 with a single cable.



The future today with FURUNO's electronics technology.

FURUNO ELECTRIC CO., LTD.

9-52 Ashihara-cho, Nishinomiya City, Japan Phone: +81 (0)798 65-2111

Fax: +81 (0)798 65-4200, 66-4622 URL: www.furuno.co.jp

Catalogue No. N-845d

TRADE MARK REGISTERED
MARCA REGISTRADA

SPECIFICATIONS OF RD-30

1. Display Unit

4.5-inch monochrome LCD (8 gray tones)
120 (V) x 64 (H) pixels

2. Display Mode

Highway, Graphical, Speedometer, Text mode, Anemometer

3. Alarm

Water temp, Depth, Speed, Time, Anchor watch, Distance run, Cross track error

4. Correction

Manual correction for Water temp, Depth, Speed, Wind

5. Interface Input/Output (NMEA 0183)

BWR, CUR, DBK, DBS, DBT, GGA, GLC, GLL, GTD, HDG, HDT, HDM, MDA, MTW, MWV, RMB, RMC, ROT, VBW, VDR, VTG, VHW, VWT, VWR, ZDA

6. Power supply

12-24 VDC, 200-105 mA

EQUIPMENT LIST

Standard

- | | |
|--|--------|
| 1. Display Unit RD-30 | 1 unit |
| 2. Standard Spare Parts and Installation Materials | 1 set |

Option

- Flush mount kit for display
S type (OP20-17), F type (OP20-18/29)
- Extension Cable for sensor
MJ-A7SPF/SRMD-100

ENVIRONMENT

Climatic and EMC: IEC 60945

Waterproofing

IPX5 (IEC 60529), CFR-46 (USCG)

Lineup of AIRMAR Smart Sensor™

Type	Remarks
235DT-MSE	Depth & Temperature Sensor
235DT-PSE	Depth & Temperature Sensor
235DST-PWE	Depth, Speed and Temperature Sensor
235DHT-LMSE	Depth & High Precision Temperature Sensor
235DHT-MSE	Depth & High Precision Temperature Sensor

Smart Sensor™ is a trade mark of AIRMAR, registered in U.S. and other country.

FURUNO U.S.A., INC.
Camas, Washington, U.S.A.
Phone: +1 360-834-9300 Fax: +1 360-834-9400

FURUNO (UK) LIMITED
Denmead, Hampshire, U.K.
Phone: +44 2392-230303 Fax: +44 2392-230101

FURUNO FRANCE S.A.
Bordeaux-Mérignac, France
Phone: +33 5 56 13 48 00 Fax: +33 5 56 13 48 01

FURUNO ESPANA S.A.
Madrid, Spain
Phone: +34 91-725-90-88 Fax: +34 91-725-98-97

FURUNO DANMARK AS
Hvidovre, Denmark
Phone: +45 36 77 45 00 Fax: +45 36 77 45 01

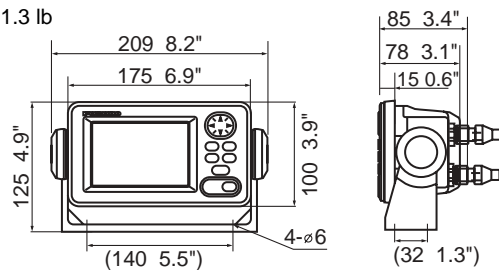
FURUNO NORGE A/S
Ålesund, Norway
Phone: +47 70 102950 Fax: +47 70 127021

FURUNO SVERIGE AB
Västra Frölunda, Sweden
Phone: +46 31-7098940 Fax: +46 31-497093

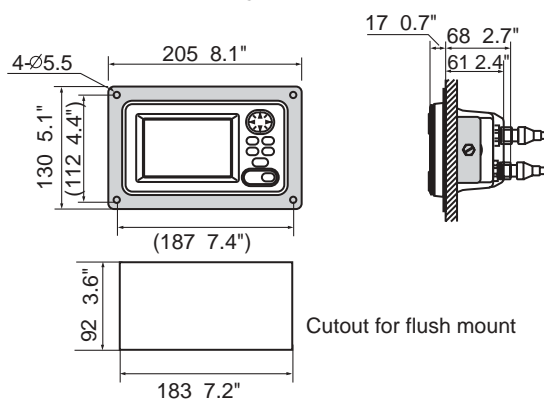
FURUNO FINLAND OY
Espoo, Finland
Phone: +358 9 4355 670 Fax: +358 9 4355 6710

Display Unit

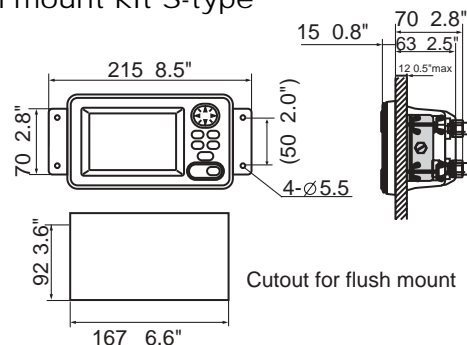
0.6 kg 1.3 lb



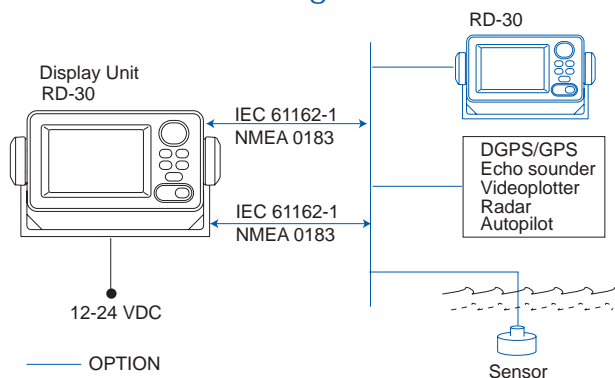
Flush mount kit F-type



Flush mount kit S-type



Interconnection Diagram



SPECIFICATIONS SUBJECT TO CHANGE WITHOUT NOTICE

0409XSS Printed in Japan

