

# FAR-2107/2807 SERIES RADAR

## Installation of Performance Monitor PM-31

---

This information provides the procedure necessary for the installation of the Performance Monitor PM-31. This kit is installed in the antenna unit of the FAR-2107/2807 series X band radar to monitor radar performance.

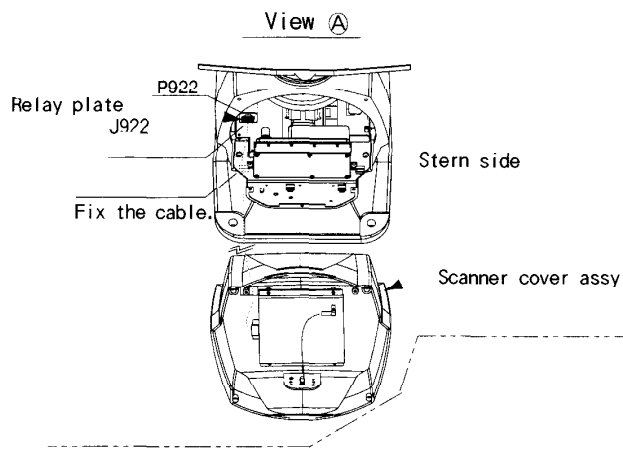
Name: Performance monitor  
Type: PM-31  
Code no.: 008-080-438

	Name	Type	Code number	Qty
①	SCANNER COVER ASSY.	PM-31	008-539-430	1
②	GREASE	GASKET GREASE #2 50G	000-149-704	1
③	SM-XH CONNECTOR ASSY.	03-2108 (6P-6P)	008-534-840	1
④	LIFTING FIXTURE	03-001-3264	300-132-640	1
⑤	GASKET	03-001-3263	300-132-631	1

### Procedure

To hoist the scanner cover assy. to the radar mast, by using rope, attach the lifting fixture ④ to the scanner cover assy.①.

1. Remove the bolt and chain at the bottom of the stern-side cover, and then remove the cover.
2. Coat the bolt hole on the scanner cover assy.① with silicone sealant (Adhesive 1211) and secure the chain with the bolt.
3. Remove the cover at the bow side also.
4. Insert the XH connector of the SM-XH connector ③ assy. to J911 on TB board 03P9349 and the SM connector of the SM-XH connector assy. to the relay plate.
5. Coat the gasket ⑤ with the gasket grease #2 50G ② and attach it to the scanner cover assy.①.
6. Connect the cable assembly coming from the scanner cover assy.① to the SM connector attached at step 4 above.
7. Attach the scanner cover assy. to the stern side of the antenna unit.
8. Reattach the bow-side cover.

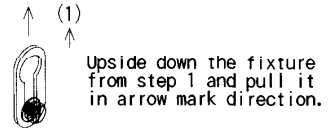


How to fix lifting fixture

- (1) Insert the lifting fixture as shown below.



- (2) Fix the lifting fixture as shown below.



Note: Fix flat side of the fixture to the coating face.

