

FURUNO®

Cost-effective, Compact, High-performance

MARINE GPS NAVIGATOR

With the FURUNO GP-70, smaller craft can enjoy highly-accurate, all-weather real-time GPS navigation.

Model GP-70



The GP-70 is a new, cost-effective navigator which brings the latest GPS technology into pleasure or smaller craft.

The GP-70 comprises a new design, slim profile antenna and a compact display. The sensitive, dual-channel receiver tracks up to eight satellites simultaneously to provide exceptional computation speed. In addition, an 8-state Kalman filter is utilized for optimum accuracy in determination of vessel position, course and speed.

The large, backlit, wide view-angle LCD displays various alphanumeric data on a user arranged layout, such as ship's Speed/Course or Velocity to a waypoint, Range/Bearing or ETA/TTG to a waypoint, selected waypoint no. or route no., and ship's position in Lat/Long. A row of stars at the top of the LCD indicates the number of satellites being tracked. The unique graphic indicator at the left gives see-at-a-glance information on ship's Course and Bearing to a waypoint, and Course/Bearing offset or Cross-track error.

In case of man-overboard or other event requiring fast storage of location, the event position and present time can be instantly memorized by pressing [SAVE] key (20 points max.). Operator can register up to 100 waypoints (incl. present position) and 10 routes each containing up to 10 waypoints.

The GP-70 operates from a 10-40 VDC universal supply and power drain is less than 10 W.

- Large, wide view-angle LCD (100 x 87 mm) displays various nav information in alphanumeric and graphics. It may be illuminated for nighttime viewing.
- Compact, sturdy aluminum display cabinet and slim profile 500-gram antenna allow flexible installation
- Two user-programmable ports for outputting data in NMEA 0180S, NMEA 0183, or FURUNO CIF format
- LCD display and keypad functions can be customized by the user to suit his particular requirements

Deck Water-Tight

Display cabinet, cable and connectors exceed IEC Pub. 529 IPX6.

IPX6 states "Water from heavy seas or water projected in powerful jets shall not enter the enclosure in harmful quantities."



© The future today with FURUNO's electronics technology.

FURUNO ELECTRIC CO., LTD.

9-52 Ashihara-cho, Nishinomiya City, Japan Telephone: (0798) 65-2111
Telex: 5644-325, Telefax: (0798) 65-4200, 66-4622, 66-4623

Catalogue No. N-820b

TRADE MARK REGISTERED
MARCA REGISTRADA

SPECIFICATIONS OF GP-70

RECEIVER CHARACTERISTICS

1. Receiving System

C/A code. 5-satellite tracking on dual channels by using high-speed time-division multiplex

2. Receiving Frequency

L1 (1575.42 MHz)

3. Position Accuracy (HDOP \leq 3)*

15 m rms without SA (Selective Availability)
50 m rms with SA implemented

4. Velocity Accuracy (HDOP \leq 3)*

0.1 knots rms without SA, 0.3 knots rms with SA

5. Tracking Velocity

250 knots

*Accuracy depends on the current satellites' status. GPS accuracy subject to change (SA turned on or off) in accordance with the policy of the US Government.

PROCESSOR/DISPLAY CHARACTERISTICS

1. Display

100 (w) x 87 (H) mm, backlit, super twist LCD

2. Date/Time

Date, Hour, Minute, and Second in GMT or Local

3. Memory of Waypoints and Voyage Plan

Total 100 waypoints* can be registered.

- (1) Waypoint Navigation: you can select any waypoint as a destination
- (2) Routing Navigation: you can register up to 10 routes each containing up to 10 waypoints

Range/bearing to the selected waypoint shown digitally.

*Waypoint no. 00: present position

4. Memory of Event Positions (Man overboard)

Total 20 points (L/L and date/time)

5. Alarms (audio-visual)

- (1) Cross-track error or Approach to border
- (2) Arrival or Anchor watch
- (3) Speed faster or slower than, or between preset value(s)
- (4) Distance-run over preset value

6. Data Update Rate

Every second

7. Data Output

2 ports are provided for:

- (1) NMEA 0183 (\$**AAM, \$**APA, \$**APB, \$**BOD, \$**BWC, \$**BWW, \$**GGA, \$**GLL, \$**RMB, \$**RMC, \$**VTG, \$**WCV, \$**WNC, \$**WPL, \$**XTE, \$**ZDA, \$**ZLZ, \$**ZTG, **: any talker selectable)
- (2) NMEA 0180S (XTE)
- (3) FURUNO CIF (Date/time, L/L, Speed/Course, Wpt L/L, Range/bearing to wpt, Altitude, Event, Route)

8. Geodetic System

WGS-84, WGS-72, Tokyo, North American 1927, European 1950, Australian Geodetic 1984

9. Environment

IEC 529 IPX6 (Deck-watertight)

POWER SUPPLY

- 10-40 VDC, less than 10 W
- 110/220 VAC, 50-60 Hz, w/optional rectifier PR-62

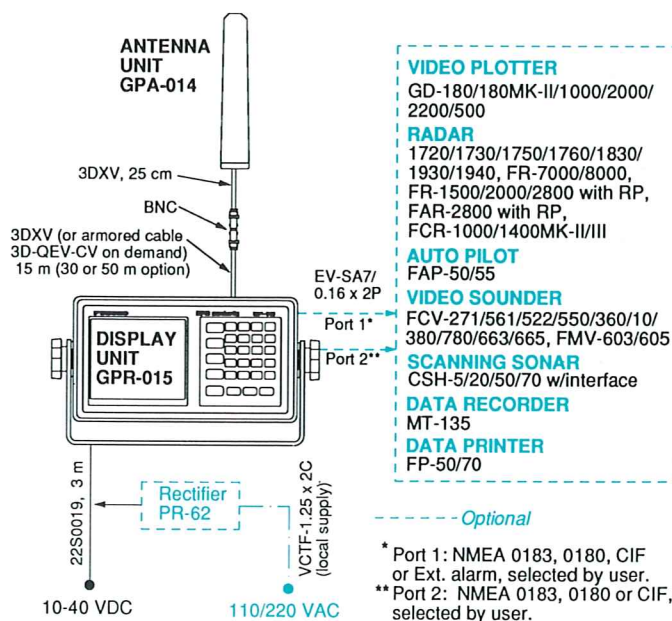
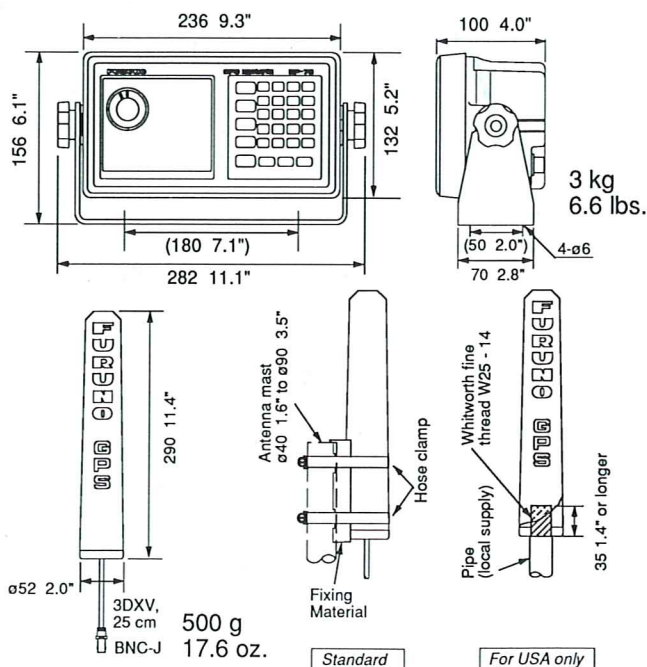
EQUIPMENT LIST

Standard

- | | |
|--|--------|
| 1. Display Unit GPR-015 | 1 unit |
| 2. Antenna Unit GPA-014 w/15 m ant. cable | 1 unit |
| 3. Installation Materials and Standard Spare Parts | 1 set |

Option

1. Rectifier PR-62 for 110/220 VAC supply
2. Armored Type Ant Cable Set CP20-3 (30 m) or CP20-5 (50 m)
3. Flush Mount Kit



VIDEO PLOTTER

GD-180/180MK-II/1000/2000/2200/500

RADAR

1720/1730/1750/1760/1830/1930/1940, FR-7000/8000, FR-1500/2000/2800 with RP, FAR-2800 with RP, FCR-1000/1400MK-II/III

AUTO PILOT

FAP-50/55

VIDEO SOUNDER

FCV-271/561/522/550/360/10/380/780/663/665, FMV-603/605

SCANNING SONAR

CSH-5/20/50/70 w/interface

DATA RECORDER

MT-135

DATA PRINTER

FP-50/70

Optional

- * Port 1: NMEA 0183, 0180, CIF or Ext. alarm, selected by user.
- ** Port 2: NMEA 0183, 0180 or CIF, selected by user.

SPECIFICATIONS SUBJECT TO CHANGE WITHOUT NOTICE

FURUNO U.S.A., INC.

271 Harbor Way, South San Francisco, California U.S.A. Phone: (415)873-9393
Telex: 331-419 Telefax: (415)872-3403

FURUNO (UK) LIMITED

187 Albert Quay, Aberdeen AB1 2QA, U.K. Phone: 0224-595351 Telex: 739512
Telefax: 0224-575794

FURUNO FRANCE S.A.

Parc Technologique Carnot, 20 Avenue Edouard Herriot, 92356 Le Plessis Robinson, France. Phone: (1) 40 94 67 00
Telex: 631 362 Telefax: (1) 40 94 69 10

FURUNO DANMARK AS

Hammerholmen 44-48, DK-2650 Hvidovre, Denmark. Phone: 36 77 45 00 Telex: 27289
Telefax: 36 77 45 01

FURUNO NORGE A/S

Ystnegst. 30-32, N-6001 Ålesund, Norway. Phone: (071)25642 Telex: 40677
Telefax: (071)27021

FURUNO SVERIGE AB

Gruvgatan 23, Box 165, 421 22 V. Frölunda, Sweden. Phone: 031-490220 Telex: 21452
Telefax: 031-497093

9109XN Printed in Japan