

FURUNO®

VHF MARINE TRANSCEIVER

With DSC modem and CH70 watch receiver

Model **FM-3000**

- 25 Watts or 1 Watt RF Output Power
- Built-in DSC meets RTMC SC101 requirement
- Displays L/L and time with a GPS receiver connected
- Optional remote second-station Control Mic allows full control from remote locations (except for DSC)
- All U.S., international channels and NOAA weather channels available
- Waterproof speaker microphone provides clear reception and transmission
- Easy channel selection with large rotary control
- Triple watch on selected channel while monitoring channel 16 and 70
- Quick access to channel 16/9 Key
- Optional voice scrambler provides private communications with other radios equipped with scramblers.



Remote second-station Control Mic
for operation from remote locations such as deck or flybridge
FM-3010



The future today with FURUNO's electronics technology.

FURUNO ELECTRIC CO., LTD.

9-52 Ashihara-cho, Nishinomiya City, Japan Phone: +81 (0)798 65-2111
Fax: +81 (0)798 65-4200, 66-4622 URL: www.furuno.co.jp

Catalogue No. V-030a

TRADE MARK REGISTERED
MARCA REGISTRADA

The FURUNO FM-3000 is a high-performance, 25 W or 1 W marine VHF radiotelephone with DSC (Digital Selective Calling) facilities. The compact, stylish and waterproof unit is ideal for the panel or tabletop installation in the cockpit or on the open flybridge.

The FM-3000 employs a large channel selector and knobs for volume and squelch adjustments for ease of operation. The selected channel is displayed with large and bold number on a bright LCD. Connected with an appropriate GPS receiver, own ship's position and time (UTC and local) may be displayed. This feature ensures the transmission of your location in an emergency or when you are attempting to meet a fellow vessel.

The DSC uses a digital signal to send and receive specific information as MMSI (Maritime Mobile Service Identity), working frequencies, etc., so that a call is addressed to a designated user or group that has DSC facilities. In an emergency, you can transmit the distress alert by simply pressing the dedicated distress button. The distress alert is acknowledged by coastal stations or ships equipped with DSC capability.

All functions of the FM-3000 can be controlled from the optional FM-3010 remote second-station control mic. This waterproof mic can be used as a second station to the FM-3000, allowing access while you are on the deck or flybridge.

SPECIFICATIONS OF FM-3000

General

- Frequency Coverage
 - Transmit 156.025 to 157.425 MHz
 - Receive 156.050 to 163.275 MHz
- Mode
 - FM (16K0G3E)
 - DSC (16K0G2B)
- Channel Spacing 25 kHz
- Frequency Stability ± 10 ppm

Transmitter

- Output Power 25 W and 1 W
- Modulation System Variable reactance phase modulation
- Frequency Stability ± 10 ppm
- Max. Frequency Deviation ± 5.0 kHz
- Spurious Emissions -70 dBc

Receiver

- Receiver System Double conversion superheterodyne
- Sensitivity (12 dB SINAD) $0.22 \mu\text{V}$
- Squelch Sensitivity $0.22 \mu\text{V}$
- Intermodulation Rejection Ratio 75 dB
- Spurious Response Rejection Ratio 75 dB
- Adjacent Channel Selectivity 75 dB
- Audio Output Power 4.5 W (at 10% distortion)

DSC

Interface (NMEA0183 ver. 2.0/3.01)

- Input RMC, GGA, GNS, GLL,
 - Output DSC*, DSE*
- *NMEA0183 ver. 3.01 only

ENVIRONMENT (IEC 60945 test method)

- Temperature -15°C to $+55^{\circ}\text{C}$
- Waterproofing IPX5 (IEC 60529), CFR-46 (USCG standard)

POWER SUPPLY

12 VDC, 5.5 A max

EQUIPMENT LIST

Standard

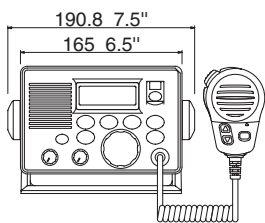
- Transceiver Unit with Speaker Microphone FM-3000 1 unit
- Installation Materials and Spare Parts

Option

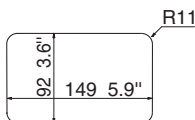
- Controllable Mic FM-3010 (incl. connection cable FM-3011, 6 m)
- Extension Cable FM-3020, 6 m
- Scrambler FM-3030
- Flush Mount Kit FM-3040

TRANSCIVER UNIT

FM-3000 2.5 kg 5.5 lb

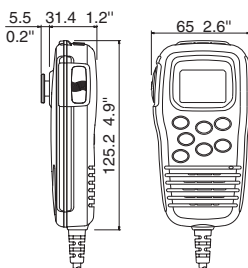


Cutout for Flush Mount

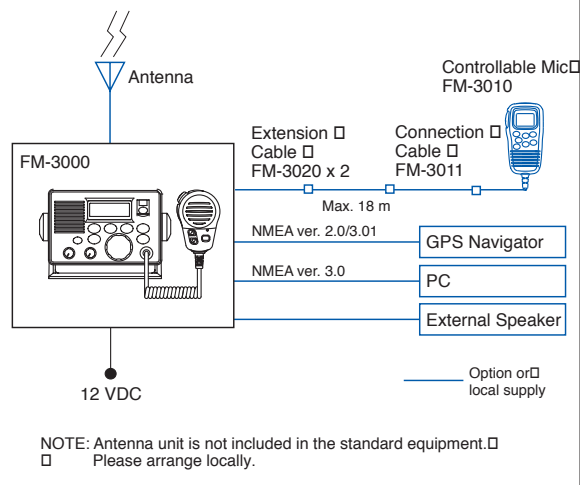


CONTROLLABLE MIC

FM-3010 0.8 kg 1.8 lb.



INTERCONNECTION DIAGRAM



SPECIFICATIONS SUBJECT TO CHANGE WITHOUT NOTICE

FURUNO U.S.A., INC.
Camas, Washington, U.S.A.
Phone: +1 360-834-9300
Fax: +1 360-834-9400

FURUNO (UK) LIMITED
Denmead, Hampshire, U.K.
Phone: +44 2392-230303
Fax: +44 2392-230101

FURUNO FRANCE S.A.
Bordeaux-Mérignac, France
Phone: +33 5 56 13 48 00
Fax: +33 5 56 13 48 01

FURUNO ESPAÑA S.A.
Madrid, Spain
Phone: +34 91-725-90-88
Fax: +34 91-725-98-97

FURUNO DANMARK AS
Hvidovre, Denmark
Phone: +45 36 77 45 00
Fax: +45 36 77 45 01

FURUNO NORGE A/S
Ålesund, Norway
Phone: +47 70 102950
Fax: +47 70 127021

FURUNO SVERIGE AB
Västra Frölunda, Sweden
Phone: +46 31-7098940
Fax: +46 31-497093

FURUNO FINLAND OY
Espoo, Finland
Phone: +358 9 4355 670
Fax: +358 9 4355 6710

FURUNO POLSKA Sp. z o.o.
Gdynia, Poland
Phone: +48 58 669 02 20
Fax: +48 58 669 02 21

04125SS Printed in Japan