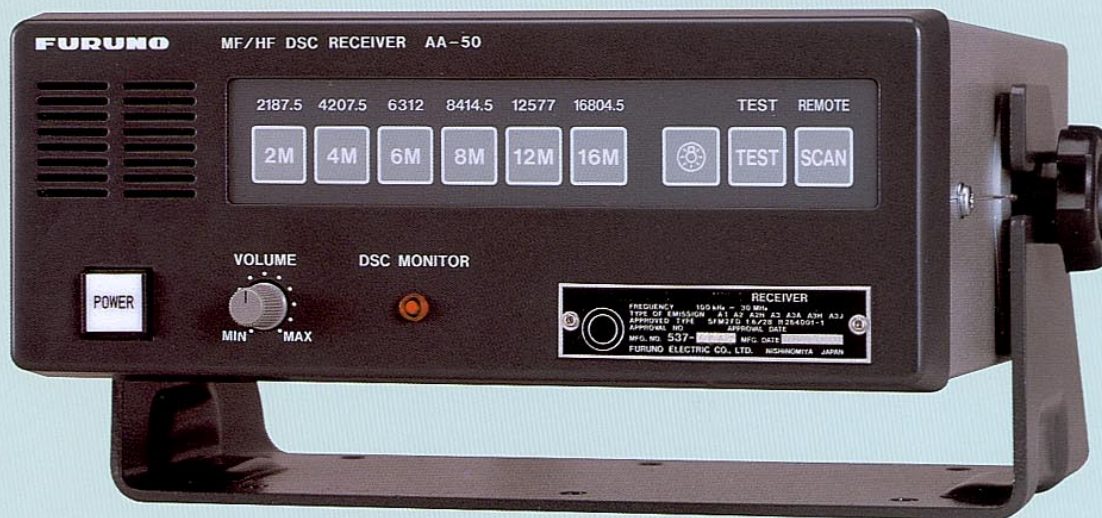




FURUNO®

MF/HF DSC WATCH RECEIVER

Model AA-50



- Offering continuous DSC watch on 2187.5, 8414.5, 4207.5, 6312, 12577, and 16804.5 kHz
- Operates in conjunction with FURUNO SSB FS-1562-15/25 or FS-5000/8000, and DSC Terminal DSC-6
- Complies with GMDSS carriage requirements (Regulation 10 of Chapter IV, SOLAS) for vessels navigating in Sea Areas A3 (without Inmarsat-C SES) or A4
- Active Antenna (pre-amp) FAX-5 optional

The AA-50 is FURUNO's quality MF/HF DSC Watch Receiver complying with GMDSS carriage requirements (Regulation 10 of Chapter IV, SOLAS convention).

According to the above GMDSS carriage requirements, every ship navigating in Sea Areas A3 (without Inmarsat-C SES) or A4 shall be equipped with a radio installation capable of maintaining a continuous DSC watch on 2187.5 kHz, 8414.5 kHz and on at least one of the following frequencies: 4207.5, 6312, 12577 or 16804.5 kHz.

The AA-50 operates in conjunction with FURUNO

FS-1562-15/25, FS-5000 or FS-8000 MF/HF Radiotelephones, and DSC Terminal DSC-6. Ordinary DSC messages received by the MF/HF are fed to the DSC-6, while a continuous watch is maintained by the AA-50. As soon as an urgent message is received by the AA-50, the message is promptly indicated on the LCD display of the DSC-6.

Power supply is from 10 to 40 VDC input. Rectifier PR-62 is available as an option for 115/230 VAC. Active antenna FAX-5 is supplied as an option for vessels without space for an additional full-size antenna.



The future today with FURUNO's electronics technology.

FURUNO ELECTRIC CO., LTD.

9-52 Ashihara-cho, Nishinomiya City, Japan Telephone: +81 (0)798-65-2111
Telefax: +81 (0)798-65-4200, 66-4622, 66-4623

Catalogue No. W-3231f

TRADE MARK REGISTERED
MARCA REGISTRADA

SPECIFICATIONS OF AA-50

1. **Receiving Frequencies**
2187.5, 8414.5, 4207.5, 6312, 12577, and 16804.5 kHz
2. **Scan Watch**
All frequencies within 2 seconds
3. **Mode of Reception**
F1B, J2B
4. **Sensitivity**
Error rate 1×10^{-2} or less at $1 \mu\text{V}$ input
5. **Stability**
 ± 10 Hz
6. **Bandwidth**
270 to 300 Hz (-6 dB)
7. **Line Output**
600 Ω balanced, -10 dBm to +10 dBm
8. **Ambient Temperature**
-15°C to +55°C

POWER SUPPLY

- 10-40 VDC, 40 W or less
- 110/220 VAC with optional rectifier PR-62

ACTIVE ANTENNA FAX-5 (option)

1. **Frequency Range**
80 kHz to 30 MHz
2. **Power Supply**
From AA-50

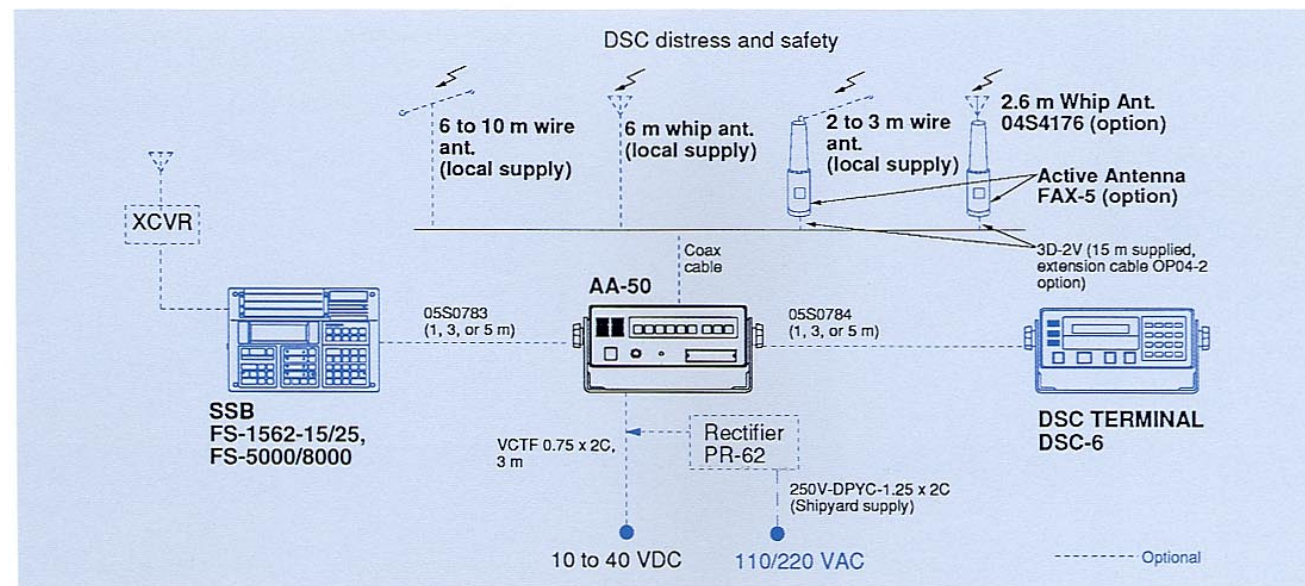
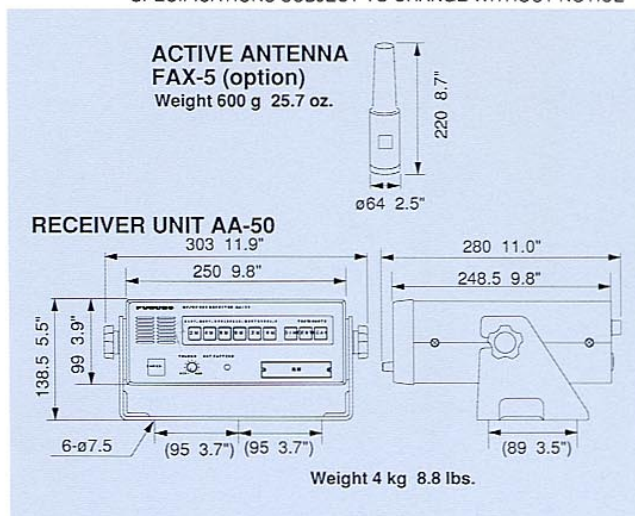
EQUIPMENT LIST (STANDARD)

- | | |
|----------------------------------------------------|--------|
| 1. Receiver Unit | 1 unit |
| 2. Standard Spare Parts and Installation Materials | 1 set |

(OPTIONAL)

1. Rectifier PR-62 for 110/220 VAC
2. Active Antenna (pre-amp) FAX-5 with Cable 3D-2V (15 m)
3. 2.6 m Whip Antenna 04S4176 (FAX-5 required)
4. Extension Cable Set OP04-2 (10, 20, 30 or 40 m) for connecting with FAX-5
5. Cable Set 05S0783 (1, 3, or 5 m) for connecting with FS-5000 or FS-8000
6. Cable Set 05S0784 (1, 3, or 5 m) for connecting with DSC-6

SPECIFICATIONS SUBJECT TO CHANGE WITHOUT NOTICE



FURUNO U.S.A., INC.
Camas, Washington, U.S.A.
Phone: +1 360-834-9300 Telefax: +1 360-834-9400

FURUNO (UK) LIMITED
Denmead, Hampshire, U.K.
Phone: +44 1705-230303 Telefax: +44 1705-230101

FURUNO FRANCE S.A.
Bordeaux-Mérignac, France
Phone: +33 5 56 13 48 00 Telefax: +33 5 56 13 48 01

FURUNO ESPAÑA S.A.
Madrid, Spain
Phone: +34 91-725-90-88 Telefax: +34 91-725-98-97

FURUNO DANMARK AS
Hvidovre, Denmark
Phone: +45 36 77 45 00 Telefax: +45 36 77 45 01

FURUNO NORGE A/S
Ålesund, Norway
Phone: +47 70 102950 Telefax: +47 70 127021

FURUNO SVERIGE AB
Västra Frölunda, Sweden
Phone: +46 31-7098940 Telefax: +46 31-497093

FURUNO SUOMI OY
Helsinki, Finland
Phone: +358 9 317277 Telefax: +358 9 3412930

99043N Printed in Japan

