

PORTABLE VHF TELEPHONE

Alpha 40s

- Marine professional walkie-talkie
- Watertight design
- With high-capacity lithium battery
- Type approval with CCS



- Use for onboard communication on VHF channels.
- Includes all ITU channels, USA channels and Private channels.
- Compact, lightweight and rugged construction.
- Watertight design for marine use.
- Conforms to the regulations of IMO MSC.1/Circ.1460/Rev.4 and IEC 60945 etc.



SPECIFICATIONS

● TECHNICAL SPECIFICATIONS

- Frequency Range: 156.000~161.450 MHz (TX)
156.000~163.425 MHz (RX)
- Operating Channels: ITU, USA, CAN channels
- Output Power: High 3 W / Low 1 W

● BATTERY REQUIREMENTS

- Battery Voltage: DC 7.4 V
- Capacity: 2600 mAh
- Operating Temperature: -20°C~+55°C

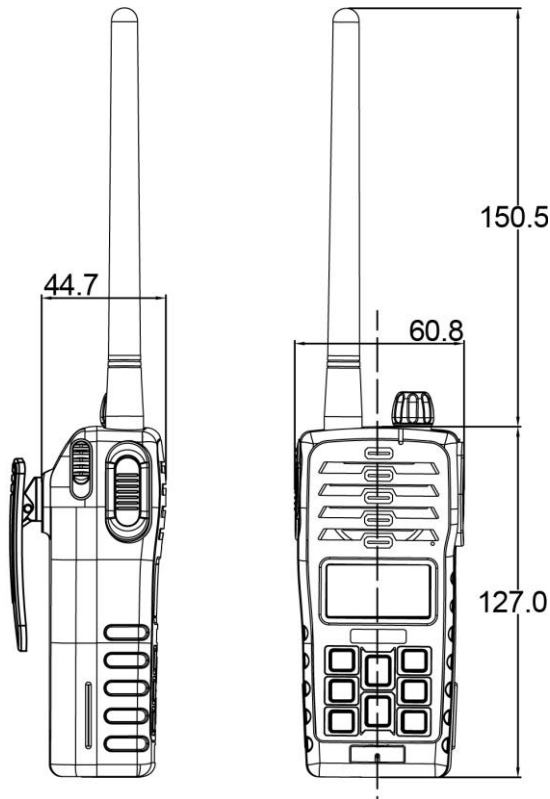
● SIZE & WEIGHT

- Size: 277.5 (H)×60.8 (W)×44.7 (D) mm
- Weight: 305 g (Transceiver + Battery)

● IP GRADE

- IP67 (Transceiver / Antenna / Battery)
- IP22 (Charger / Adaptor)

SIZE DIMENSION



EQUIPMENT LIST

● STANDARD

- | | | |
|-----------------------------|-----------|-------|
| - Transceiver & Antenna | Alpha 40s | 1 set |
| - Rechargeable Battery Pack | NBT800CN | 1 pc |
| - Battery Charger | NBT800CU | 1 pc |
| - AC/DC Adaptor | NBT200CUA | 1 pc |
| - Belt Clip | | 1 pc |
| - Wrist Rope | | 1 pc |



Rechargeable Battery Pack



Wrist Rope



Belt Clip



Battery Charger



AC/DC Adaptor

