


SKIPPER

ESN100

Navigation Echo Sounder

MED B approved 
Single channel
navigational echo sounder.

Posibilities for one or two
transducers installed.

User friendly with
automatic settings.

ESN100-SB Display unit:

9" touch display

1 x NMEA output (IEC61192-1)

2 x NMEA input (IEC61192-1)

LAN port (IEC61192-450)

Display and alarm complies with:
IEC92288:2014 and IEC62923(2018)

JB50E1-SA Transceiver unit:

2 transducer terminals,

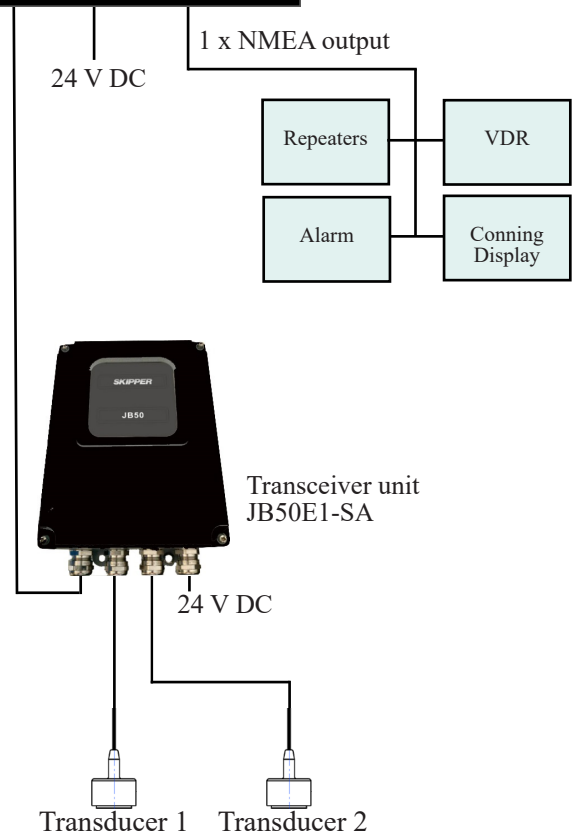
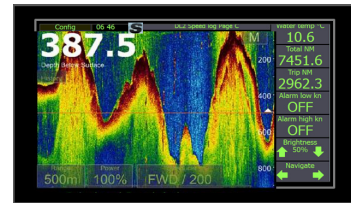
both terminals software

programmable to 50 and 200kHz.

RS485 communication with display unit

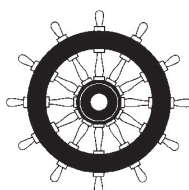
Overview

ESN100-SB



SKIPPER

SKIPPER Electronics AS
Norway
E-mail: sales@skipper.no
www.skipper.no



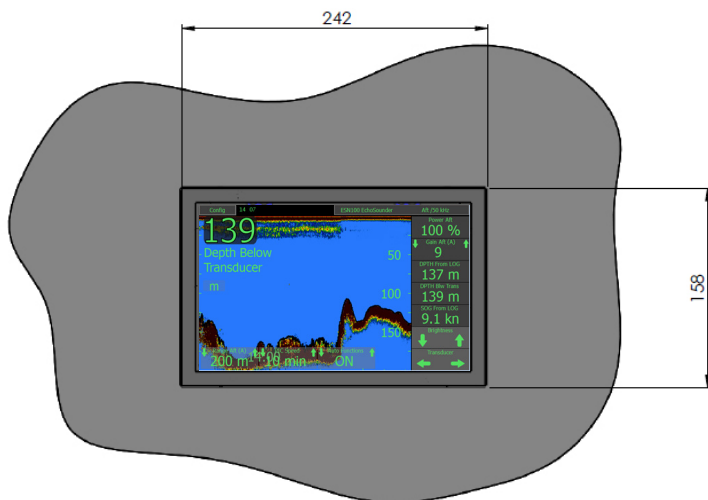
SKIPPER

Navigation Echo Sounder

ESN100

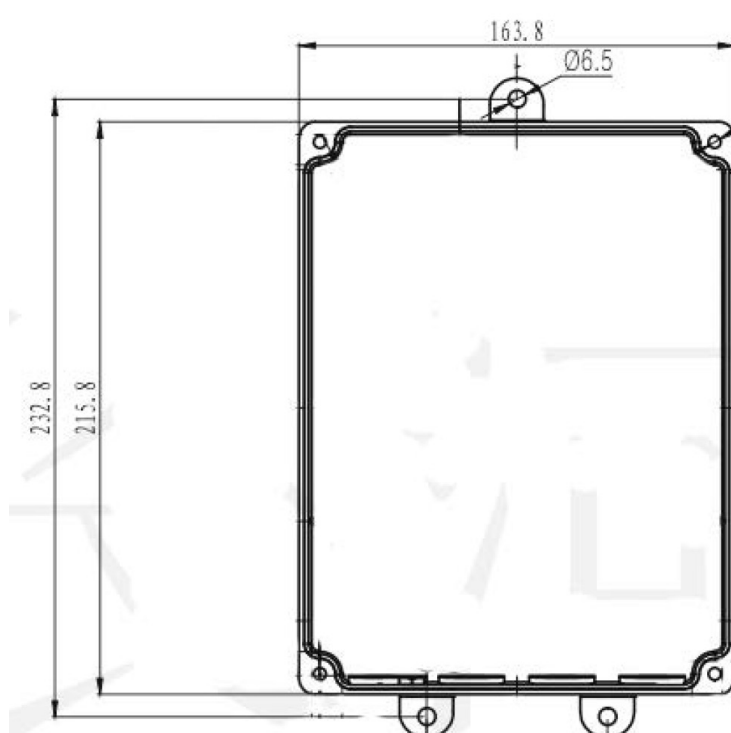
ESN100-SB specifications

Display	9" Resistive touch. 400NITS
Ranges	Selectable from 0 - 5 m to 0 - 1000 m
Depth resolution	0-100m: 0,1m 100-1000m: 1m
Interfaces	1 x RS485 Communication with transceiver unit 1 x NMEA 0183 Outputs (IEC61192-1) 2 x NMEA 0183 Inputs (IEC61192-1) 1x LAN (IEC61192-450)
Depth alarms	Alert complies with IEC61924-2:2012 ALF or ALR. Internal sounder.
Power Supply	24VDC nominal. (21 - 32 VDC)
Power Consumption	Typical 6W Maximum 10W



JB50E1-SA specifications

Channels	Single channel echo sounder
Transducer connectors:	2 Transducer connectors in transceiver unit. Active transducer selectable in software.
Frequencies	50 kHz and / or 200 kHz. (Both connectors, software selectable)
Power Supply	24VDC nominal. (21 - 32 VDC)
Power Consumption	Typical 15W Maximum 25W
Expected depth limits	200kHz ETN200T: 1m-250m 200kHz ETN200ST/G: 1m-200m 50kHz ETN50T/G: 1m-450m 50/200kHz ETS50200: 1m-450m
Measuring Accuracy	1-20m: Accuracy<0.5m 20-200m: Accuracy<5m
Transducer power	600W maximum
IP grade	IP56



Transducers

ETN200xx	200kHz transducer for Steel tank, Aluminium tank or Sea valve (25m/40m cable)
ETN50xx	50kHz transducer for Steel tank, Aluminium tank or Sea valve (25m/40m cable)
ETS50200xx	Dual frequencies 50 and 200kHz transducer Steel tank, SPERRY steel tank, Aluminium tank or Sea valve (25m/50m cable)

Transducer mounting options:

