

4000017151

P-5113

Telephone with Relay



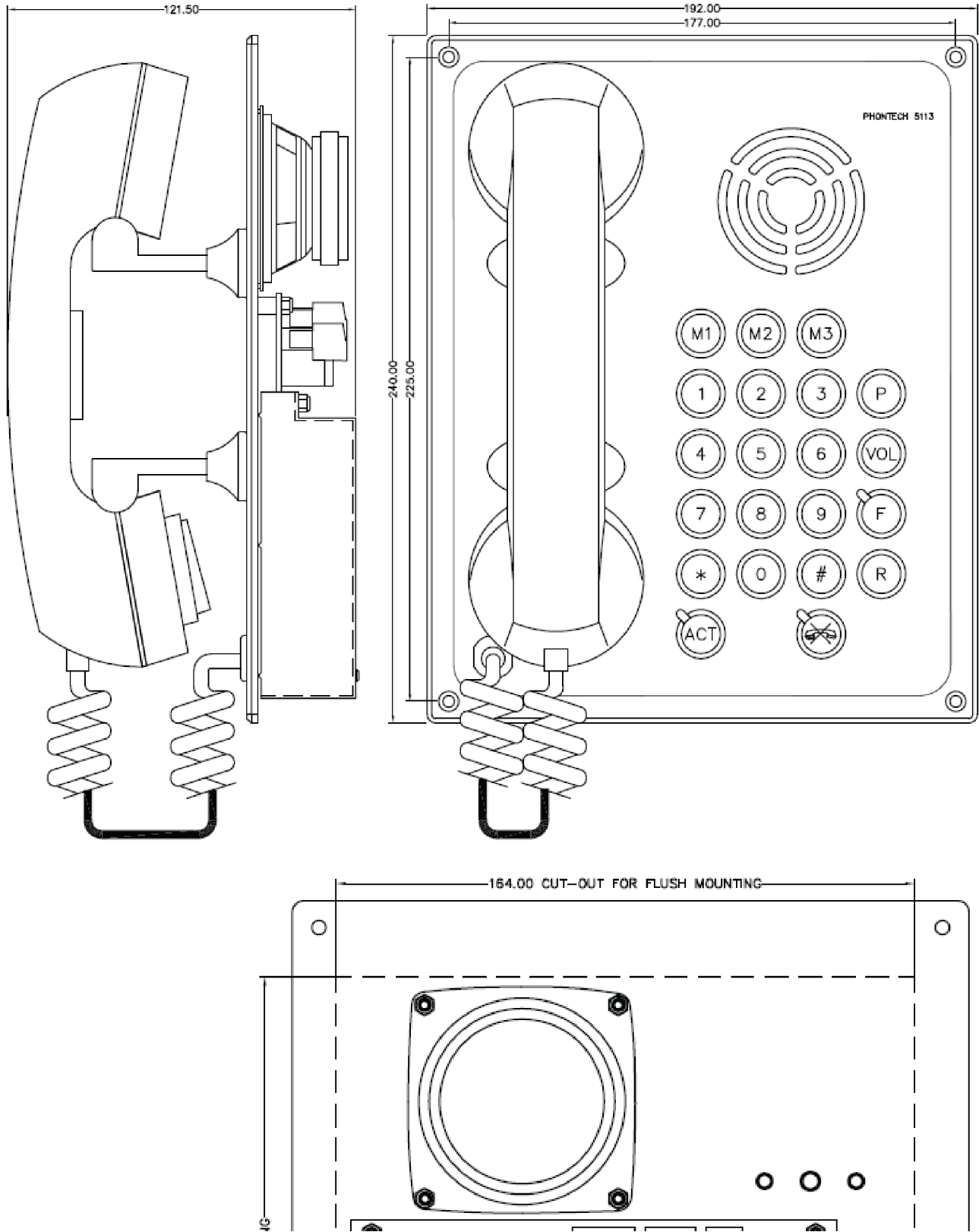
Description

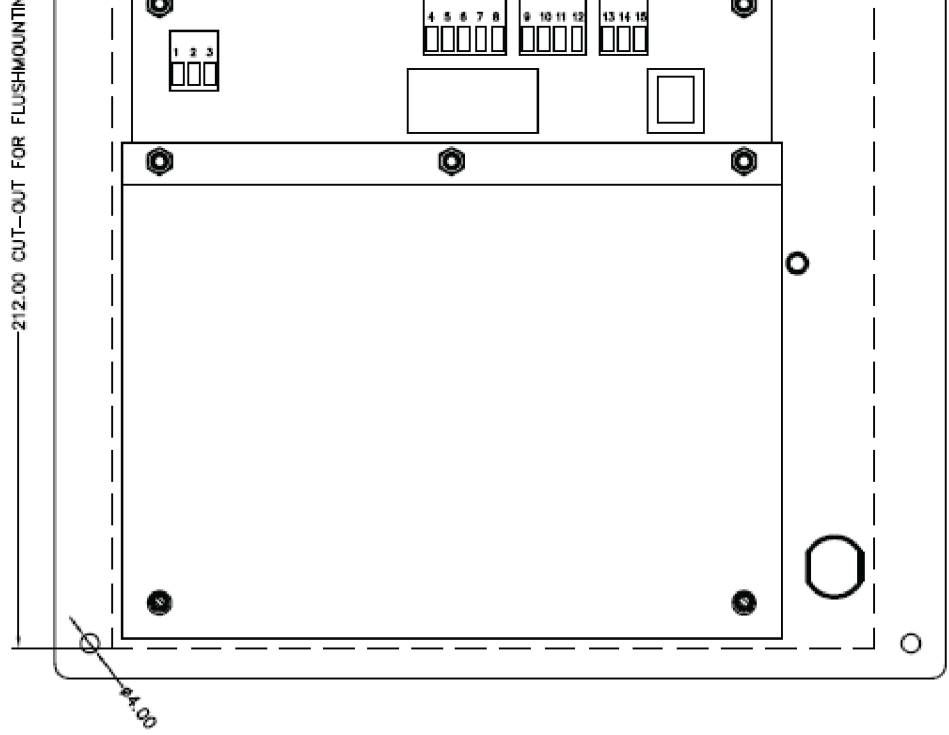
This item has been replaced by item number [2213000300](#)

- ✓ DTMF analog telephone
- ✓ Loudspeaking / handset operation
- ✓ Memory buttons
- ✓ Built-in relay, max 5A
- ✓ External loudspeaker connection
- ✓ Complies with IEC 60945 Standard for Marine Equipment
- ✓ DNV GL type approval and compatible with NORSOK

The P-5113 is an analog flush-mounted console telephone with speakerphone functionality.

Technical Dimensions





Specifications

MECHANICAL

Dimensions (WxHxD)	192x240x121.5 mm
Weight	1.2 kg
Material	Aluminium / PC
Color	RAL 9005
Mounting	Flush / Console
Fixing	4 x M4 bolts
Access	Front
Cable Entry	Rear

ELECTRICAL

Power Supply	22-32 VDC / 10 W (max when external loudspeaker is connected)
Telephone line feed voltage	24-64 VDC
24-64 VDC Ring Voltage / Frequency	$45 < R < 110V$ / $18 < F < 25$ Hz
Termination	Screw terminals ≤ 1.5 mm ²
Compass Safe Distance	>1.9 m
Dial Method	DTMF (ITU-T Q23)
Ringling Volume	≥ 75 dB(A) at 1 m distance

ENVIRONMENTAL

Temperature	-15°C to +55°C
Humidity	+93% (at +40°C)
Ingress Protection Rating	IP-22