



4000017568

P-5000

Telephone line relay unit

- ✓ Autonomous Line Relay for 2 wire analog telephone lines (POT)



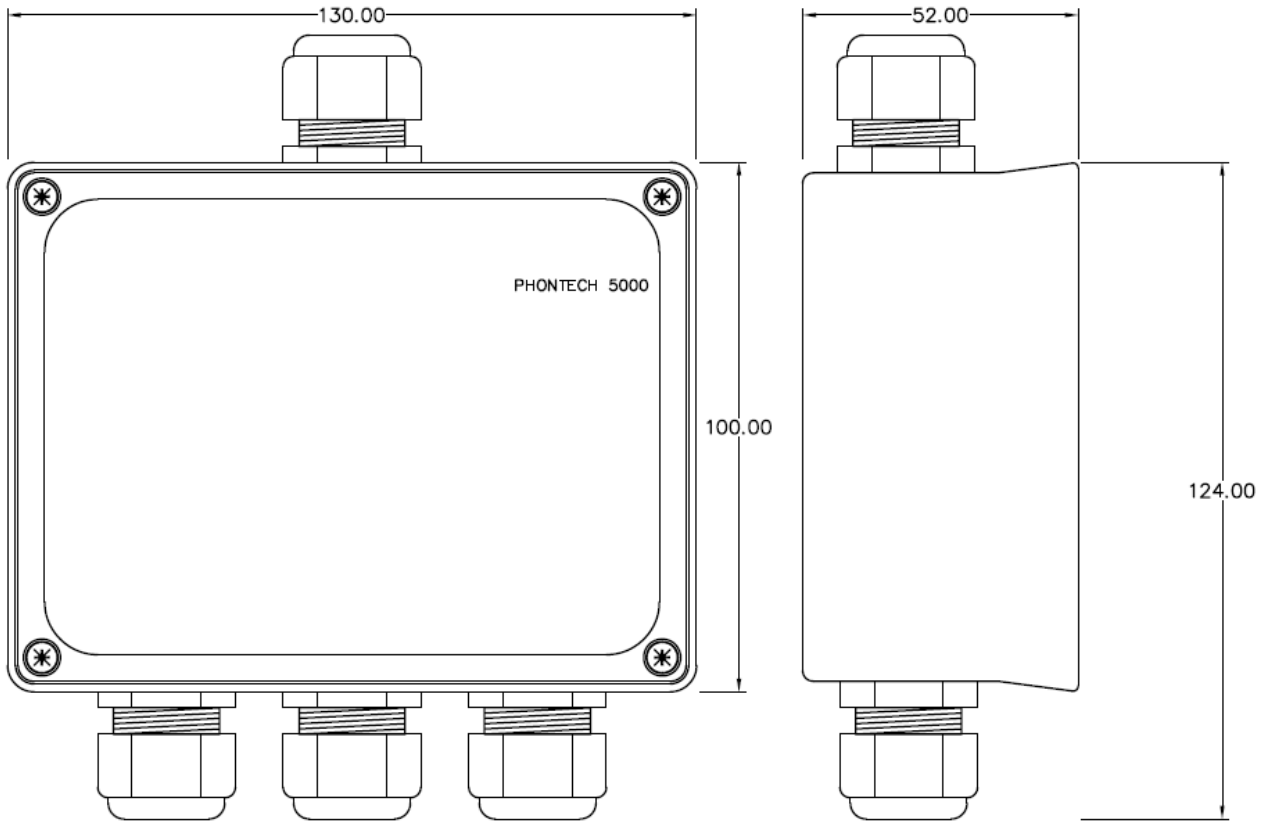
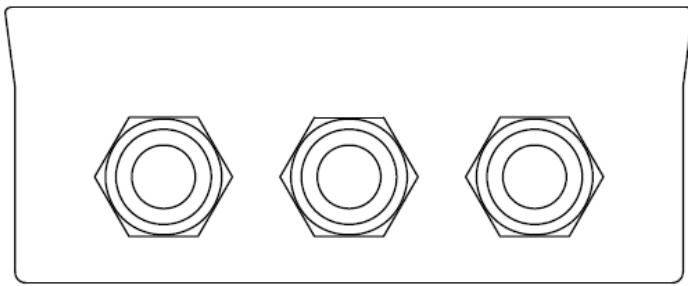
Onboard communication

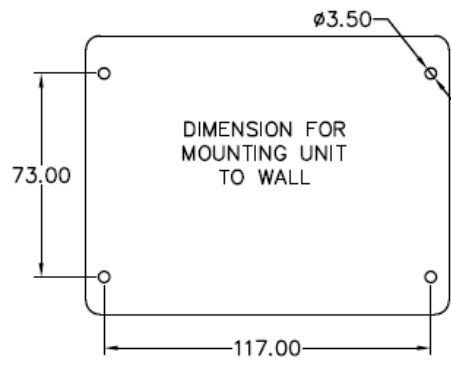
Description

P-5000 is a Telephone line relay unit for analogue POTS/FXS telephone lines. The relay unit has a self-contained power supply and double switch NO/NC Relay

- ✓ Self-contained power supply
- ✓ Relay max 5A
- ✓ Pulsed or Continuous operation (Jumper P2 configuration)

Technical Dimensions





Specifications

GENERAL/ENVIRONMENT

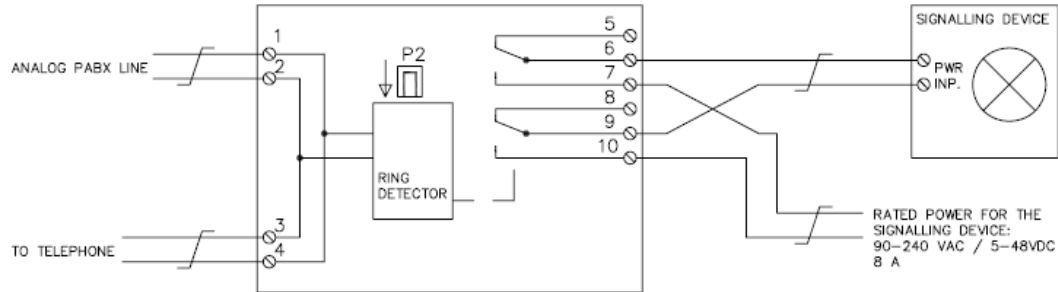
Dimension (WxHxD)	130x148x52mm
Weight	0.3 kg
Material	PC/ABS blend, ABS
Color	RAL 9005 / 9006
Cable Entry	Top/Bottom
Access	Front
Mounting/Fixing	Wall / Inside 4x 3mm bolts
Glands	4xM20
-	
Environment	IP-56
Temperature	25°C to +55°C (Storage: -30°C to +70°C)
Humidity (max)	93% (at +40°C)
-	
Compass Safe Distance	>5m

ELECTRICAL

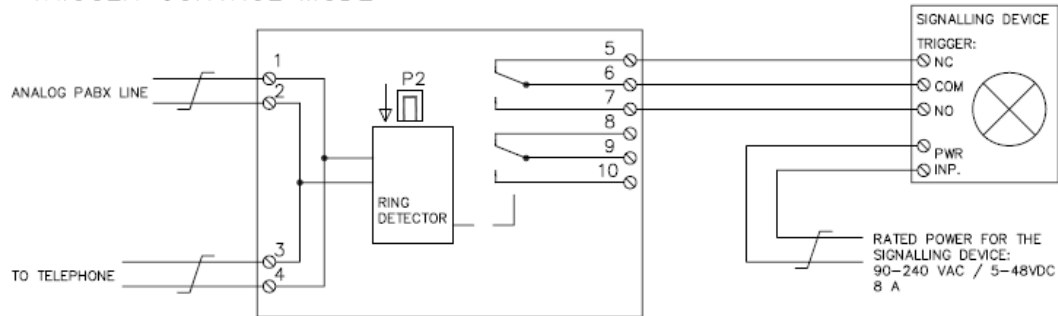
Terminations	Screw terminals $\leq 1.5\text{mm}^2$
Power Supply	(Telephone Line self-contained)
Line Feed Voltage	24-64V DC
Ringin voltage	45-110 V, 18-25Hz
Relay Switching capacity	8A / 250VAC

CONNECTION ALTERNATIVES:

POWER CONTROL MODE:



TRIGGER CONTROL MODE



INSTALLATION AND OPERATION PRECAUTIONS:

- * THE RING RELAY BOARD MUST BE CONNECTED TO A LIVE TELEPHONE LINE FOR 1 MINUTE BEFORE FIRST OPERATION
- * THE RING RELY CAN INITIALLY BE IN THE WRONG STATE AND MUST BE OPERATED ONCE BEFORE SECURE CORRECT OPERATION
- * RELAY ACTION:
P2 OFF = CONTINUOUS
P2 ON = PULSED
RELAY MAXIMUM LOAD = 8A