

3005000025

HSB-03

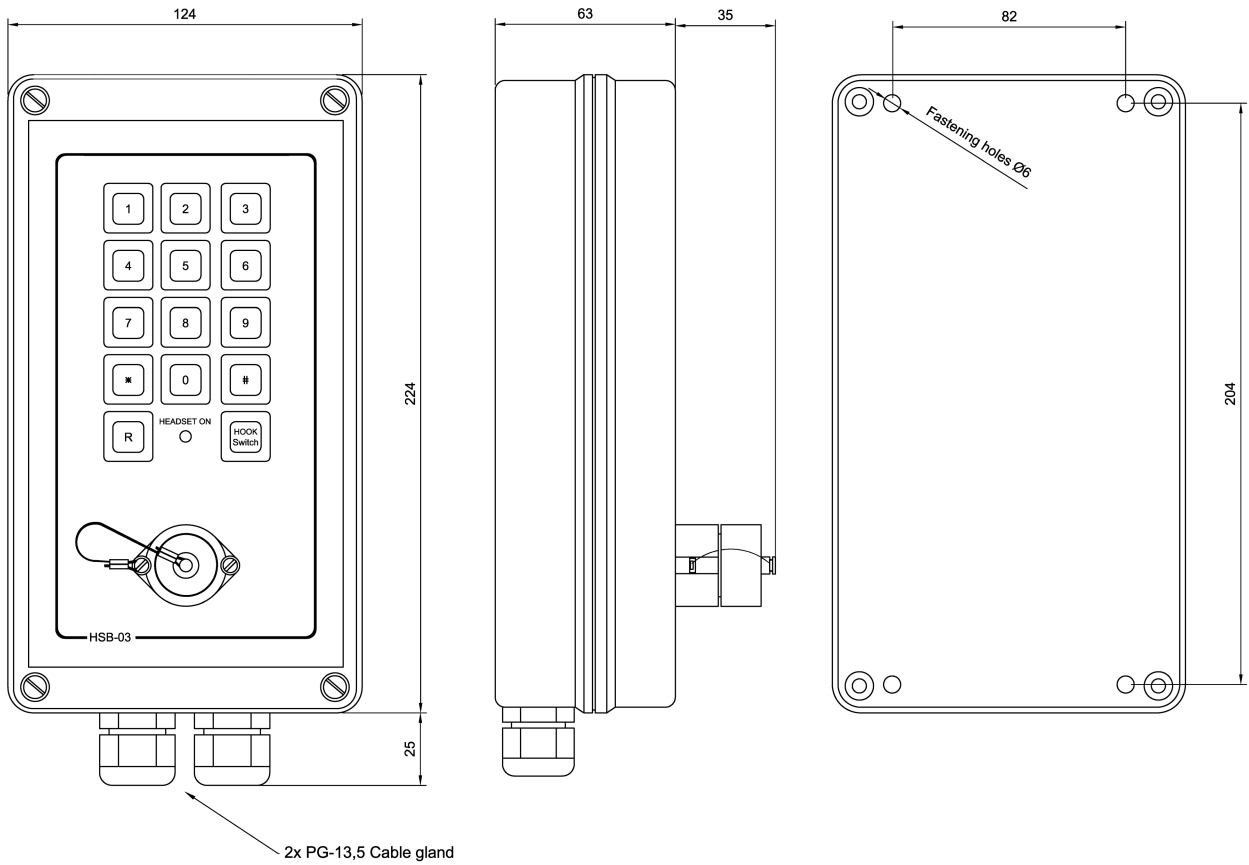
Analog telephone, weatherproof

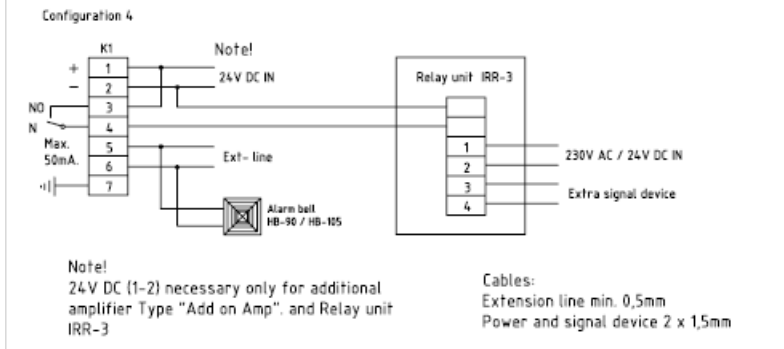
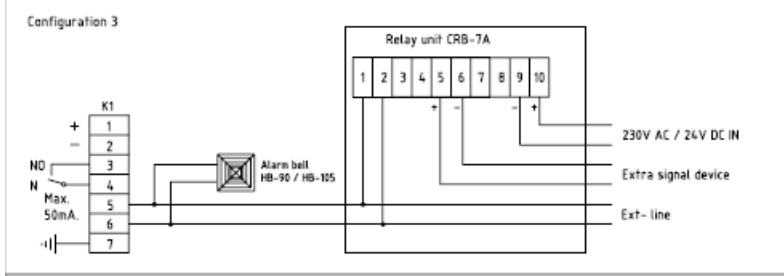
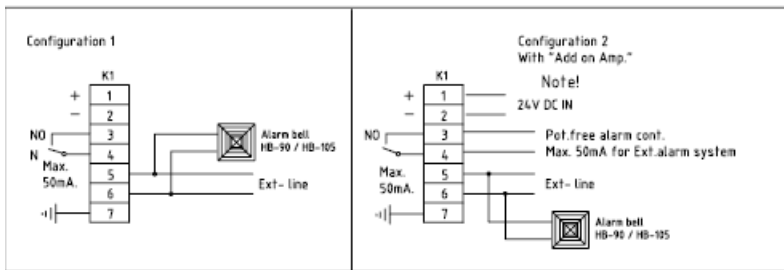
 IP66

Description

- ✓ Multi-purpose Telephone
- ✓ Delivered for bulkhead mounting
- ✓ Socket with dust-cap for connection of headset or microphone
- ✓ To be used together with:
 - ✓ Headset type P-MT7 and parallel alarm bell type HB-105
- ✓ DTMF dialing
- ✓ Potential free alarm contact for external alarm system, max 50mA
- ✓ External relay units as IRR-3 and CRB-7A can be used for activating of extra alarm units.

Technical Dimensions





Specifications

GENERAL

Ringing voltage:	45-110 V, 25-50 Hz
Power for AddOn Amplifier	24V DC. HSB-03 will not be operating without 24V DC when AddOn Amplifier is mounted.
Temp. range	-20 C / +50 C
Connections	Screw terminals
Cable Inlet	2x PG-13.5
Colour	Grey
IP class	IP-66
Dimensions (MM)	124W x 224H x 63D

Accessories



P-MT7-A

Headset with boom mic, headband, and 10m cable



HAS-3

Handset for HSB-03 W/C16 plug



HAS-3WT

Handset for HSB-03 W/C16 plug. Weather proof



CRB-7

Relaybox for Signal Units
Waterproof