

3006200040

VSP-5008

EX Buffer Unit



- ✓ Intrinsically safe buffer unit for mounting in safe area
- ✓ Supports up to 4 Ex(i) telephones - VSP-512
- ✓ 4x 24V DC outputs to Ex signal units
- ✓ 8 call signal outputs to safe area
- ✓ Delivered in a painted steel cabinet for wall mounting
- ✓ Can be delivered with up to 2x zener barriers for 24V DC I.S. sounder in zone 0
- ✓ (½ x zener barrier for each sounder)

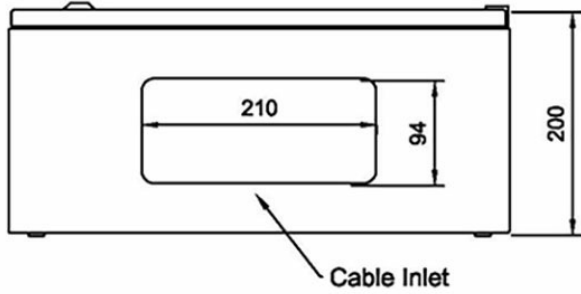
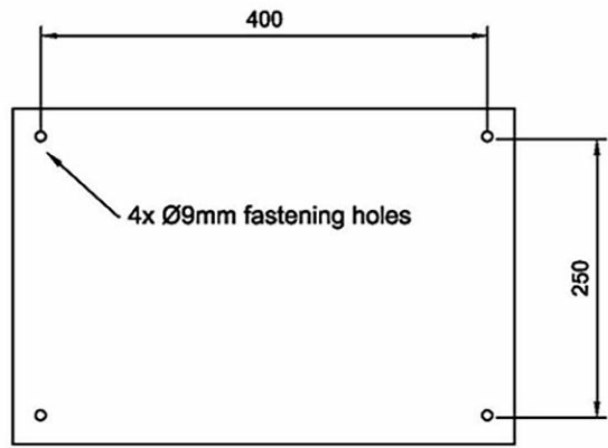
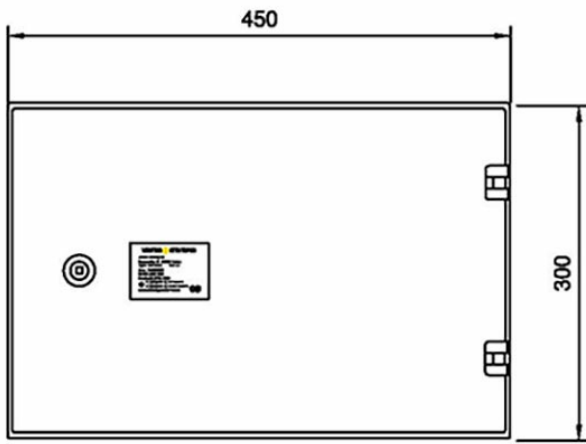



Atex

Description

Ensures uninterrupted communication between Ex- and safe zone in a Batteryless telephone system (VSP). To be mounted in Safe area with Barriers into the Hazardous (Ex) area. It accommodates up to 8 Batteryless telephones within the system, enabling seamless communication. Call signals are distributed in the Hazardous area via EX(d) signal units controlled by relay outputs. Encased in a durable painted steel cabinet designed for wall mounting. It offers optional integration with up to 2 zener barriers (4 extension numbers) for 24V DC sounders in zone 0, guaranteeing reliable operation and enhanced safety in hazardous environments.

Technical Dimensions



 ATEX Approved product
Certification body Nemko
Certificate no. Nemko: 05 ATEX 1059
Protection system II (1)G [EEx ia] IIC Ta: 60°C

Specifications

GENERAL

Dimensions (WxHxD)	450 x 300 x 200 mm
Mounting	Wall mounted
Weight	11.0 kg
Housing	Steel cabinet
Color	Beige / RAL 7032
Cable entry	Pre-cut cable inlet in bottom
Connections	Screw terminals
Operation voltage	24V DC
Power Consumption	15W (max)
Protection mode	Ex II (1) G EEx ia IIC T6
Certificate	Presafe 15 ATEX 6475 / IECEX PRE 15.0024
IP-rating	IP-44

ORDER NUMBER	DESCRIPTION	SHIP WEIGHT
3006200040	BUFFER UNIT WITH CAPACITY TO CALL 8 MAIN STATIONS IN SAFE AREA	11.0 Kg
Related items:		
3006200044	TELEPHONE I/S WALL W/12- POS SWITCH IP44, EEX ia IIC T6	1,8 Kg
3006200046	MT7H79F-501-FL5255 HEADSET I/S W/BOOM MI ON-OFF 10M CORD, I. Beltclip and 10 m cable.	0,5 Kg
3006102010	BEX-24B BEACON EX BExBG05D 24V DC BLUE ATEX IP67 1 CABLE GLAND	2,45 Kg
3006102011	BEACON EX BExBG05D 24V DC IP67 ORANGE ATEX 1 CABLE GLAND	
3006102012	EX APPROVED LIGHT, 24V DC RED, ATEX, IP66,1 CABLE GLAND	
3006102015	EX APPROVED LIGHT ORANGE 220V AC WT IP66, INCL. 1 CABLE GLA	2,75 Kg
3006102029	dHW2 EX SIGNAL BELL 24 Vdc IP 66 II 2 G EEx de IIC T6	6,0 Kg
3006102080	dHW1 EX SIGNAL BELL 230 V AC 50/60 Hz IP 66 - II 2 G EEx de IIC T	6,0 Kg
DHH1-230	Ex signal horn 230VAC 50/60 Hz WT - IP-66 -II 2 G EEx DE IIC T6	5,5 Kg
1020600992	IRR-3 RELAY BOX 24V DC OR 220V AC - SIGNAL UNIT WT - IP-66	0,35 Kg

Used With



VSP-512

Intrinsically Safe Operating Unit