

3006200037

## VSP-5004

### Ex Buffer Unit



- ✓ Intrinsically safe buffer unit for mounting in safe area
- ✓ Supports up to 4 Ex(i) telephones - VSP-512
- ✓ 4x 24V DC outputs to Ex signal units
- ✓ 4 call signal outputs to safe area
- ✓ Delivered in a painted steel cabinet for wall mounting
- ✓ Can be delivered with up to 2x zener barriers for 24V DC I.S. sounder in zone 0
- ✓ (½ x zener barrier for each sounder)

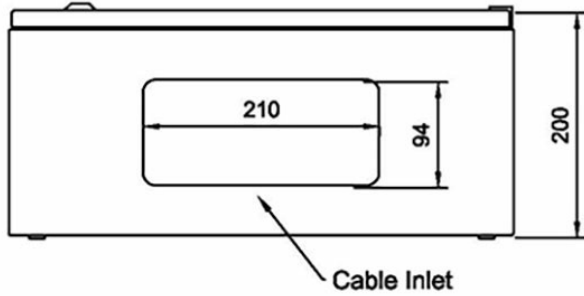
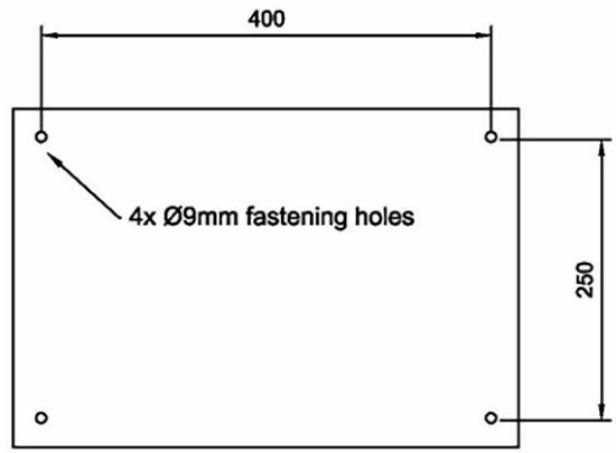
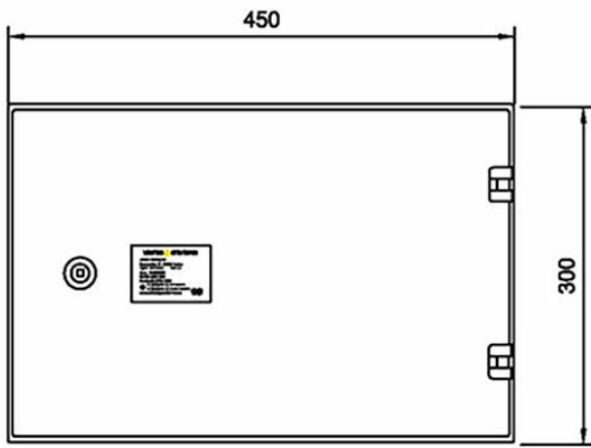



## Description

Ensures uninterrupted communication between Ex- and safe zone in a Batteryless telephone system (VSP). To be mounted in Safe area with Barriers into the Hazardous (Ex) area. It accommodates up to 4 Batteryless telephones within the system, enabling seamless communication. Call signals are distributed in the Hazardous area via EX(d) signal units controlled by relay outputs. Encased in a durable painted steel cabinet designed for wall mounting. It offers optional integration with up to 2 zener barriers (4 extension numbers) for 24V DC sounders in zone 0, guaranteeing reliable operation and enhanced safety in hazardous environments.

- ✓ Type Nos. for buffer units with additional zener barrier:
- ✓ VSP-5004/1 with 1x zener barrier (2 ext. No./ I.S. Sounders)
- ✓ VSP-5004/2 with 2x zener barriers (4 ext. No./ I.S. Sounders)

## Technical Dimensions



 ATEX Approved product
Certification body <b>Nemko</b>
Certificate no. <b>Nemko: 05 ATEX 1059</b>
Protection system <b>II (1)G [EEx ia] IIC Ta: 60°C</b>

# Specifications

## GENERAL

Dimensions (WxHxD)	450 x 300 x 200 mm
Mounting	Wall mounted
Weight	11.0 kg
Housing	Steel cabinet
Color	Beige / RAL 7032
Cable entry	Pre-cut cable inlet in bottom
Connections	Screw terminals
Operation voltage	24V DC
Power Consumption	10W (max)
Protection mode	Ex II (1) G EEx ia IIC T6
Certificate(s)	Presafe 15 ATEX 6475 / IECEX PRE 15.0024
IP-rating	IP-44

## Used With



### VSP-512

Intrinsically Safe Operating Unit