

3006200029

VSP-213M-L

Main Station - Batteryless Telephone System - 20-Way



- ✓ 20 extension system
- ✓ 2 positions group selector switch
- ✓ 10 extension line selector switch
- ✓ LED call indication in front
- ✓ Flush mounted
- ✓ Wall mounting with corresponding metal cabinet type MBOKS-G
- ✓ Desk mounting with corresponding wooden cabinet type VSPC-OAK
- ✓ Suitable for installation in accommodation and control rooms

Description

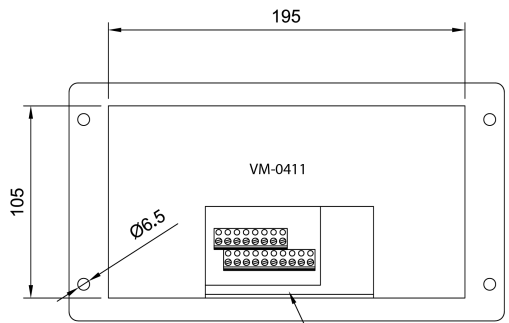
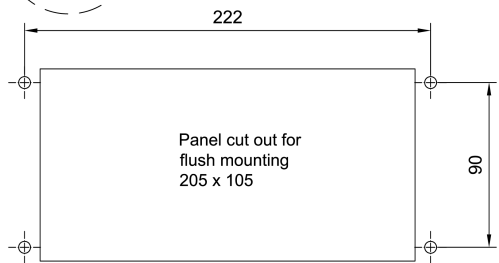
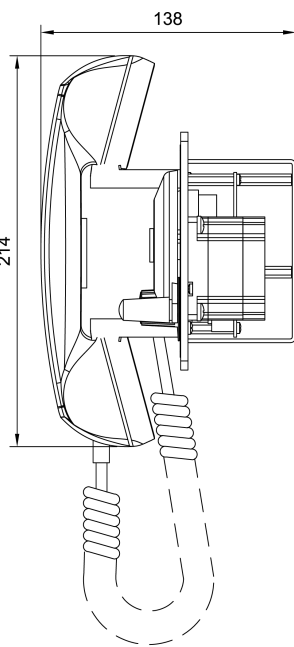
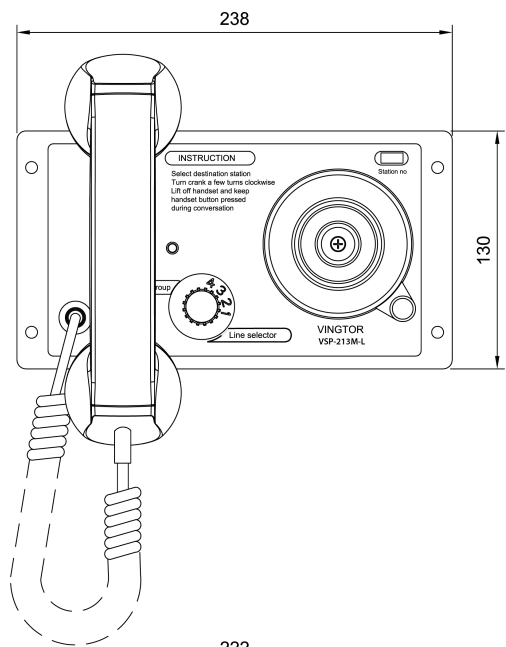
VSP-213M-L Main Station: Dependable Onboard Batteryless Telephone

The VSP-213M-L Main Station, part of our reliable 20-Way Batteryless Telephone System, is tailored for ships needing consistent and clear secondary communication. This unit's design allows for flexible installation and operation, making it a solid choice for strategic communication across a vessel. Key aspects include:

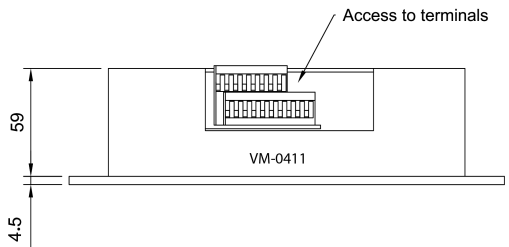
- ✓ Flexible Installation: Options for flush, wall, or desk mounting cater to various onboard needs.
- ✓ Selective Calling: Enhanced with a 10-position selector switch and a 2-position group selector for efficient communication between stations
- ✓ Designed for Strategic Placement: Ideal for accommodation areas, ensuring communication remains uninterrupted, even during power failures.

The VSP-213M-L is crafted for vessels that prioritize dependable and efficient communication in line with global safety standards.

Technical Dimensions



Access to terminals



Note: VM-0411 Protection Cover is an optional accessory

Specifications

GENERAL

| | |
|-----------------------------|-------------------|
| Connections | Screw terminals |
| Color | Black |
| IP rating | IP-44 |
| Dimensions | 238 x 130 x 77 mm |
| Panel cut-out | 205 x 105 mm |
| Weight | 1.30 kg |
| Operating temperature range | -25°C to 55°C |
| Compass Safe Distance | > 155cm |

Accessories



MBOKS-G

VSP Batteryless Telephone System

VSPC-OAK

Wooden OAK Cabinet

VM-0411

Protection cover for VSP-stations

CD-4

Plugbox Waterproof



IRR-VSPM-24

Relay box 24V DC for VSP M

IRR-VSPM-220

Relay Box 220V AC for 20 Way system

VSP-36-PEL-A

Headset with boom mic, headband, and 10m cable

VSP-36-PELP-A

Headset with boom mic, headband, and 10m cable



VSP-36-PEL-A/20

Headset with boom mic,
headband, and 20m cable



VSP-36-PELP-A/20

Headset with boom mic,
headband, and 20m cable