

3006200028

VSP-212M-L

Main Station Panel Mounted with Relay 20-Way



- ✓ 20 stations system
- ✓ 2 positions group selector switch
- ✓ 10 position line selector switch
- ✓ Built-in relay latch timer for activation of external visible or audible 24VDC signal units
- ✓ Alarm stop button
- ✓ Noise compensated microphone
- ✓ Optical LED call indication at front (in addition to audible call signal)
- ✓ Flush mounted
- ✓ Wall mounting with corresponding metal cabinet type MBOKS-G
- ✓ Desk mounting with corresponding wooden cabinet type VSPC-OAK

Description

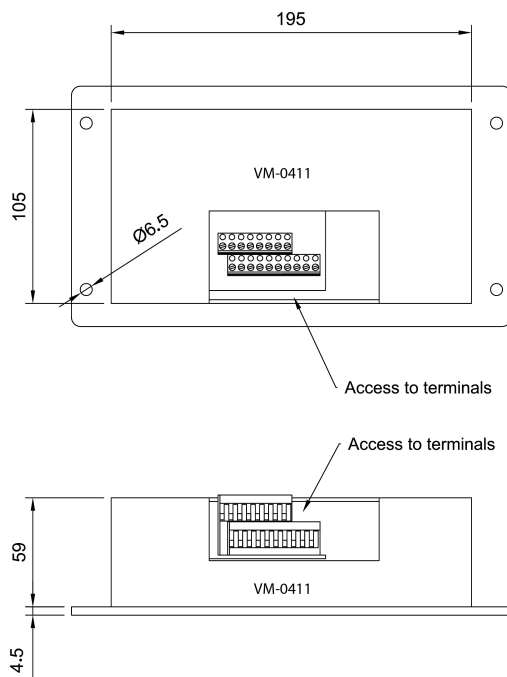
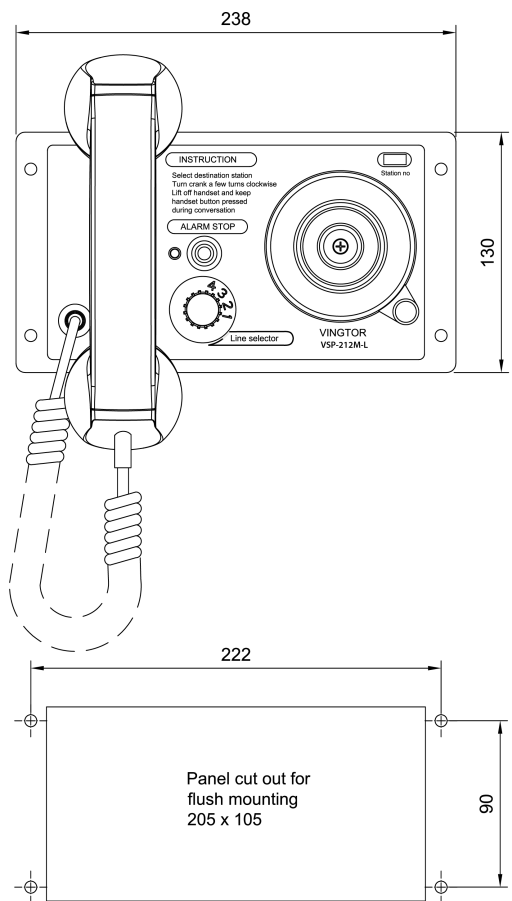
VSP-212M-L Main Station: 20-way Batteryless Communication for Vessels

The VSP-212M-L Main Station is an integral part of our 20-Way Batteryless Telephone System, designed to offer clear and uninterrupted communication in various maritime environments. Its design and features cater to ships looking for a sturdy and reliable communication system. Features include:

- ✓ Versatile Mounting Options: Can be flush-mounted, wall-mounted, or desk-mounted to fit different spaces and needs.
- ✓ External Signal Activation: Comes with a built-in relay latch timer for external visible or audible signals, enhancing safety alerts.
- ✓ Noise-Compensated Microphone: Ensures clear communication in noisy areas, such as engine rooms.

Suitable for control rooms and areas with high ambient noise, the VSP-212M-L ensures compliance with safety communication requirements onboard.

Technical Dimensions



Note: VM-0411 Protection Cover is an optional accessory

Specifications

GENERAL

Connections	Screw terminals
Colour	Black
IP rating	IP-44
Dimensions	238 x 130 x 77 mm
Panel cut-out	205 x 105 mm
Weight	1.30 kg
Operating temperature range	-25°C to 55°C
Compass Safe Distance	> 155cm
Relay switching capacity (max)	4A

Accessories



VM-0411

Protection cover for VSP-stations



MBOKS-G

VSP Batteryless Telephone System



VSPC-OAK

Wooden OAK Cabinet



VSP-36-PEL-A

Headset with boom mic, headband, and 10m cable



VSP-36-PEL-A/20

Headset with boom mic, headband, and 20m cable



CD-4

Plugbox Waterproof



VSP-36-PELP-A

Headset with boom mic, headband, and 10m cable



VSP-36-PELP-A/20

Headset with boom mic, headband, and 20m cable



VSP-36-PELP-A/25

Headset with boom mic, headband,
and 25m cable



IRR-VSPM-24

Relay box 24V DC for VSP M



IRR-VSPM-220

Relay Box 220V AC for 20 Way
system