

1020159000

CD-4

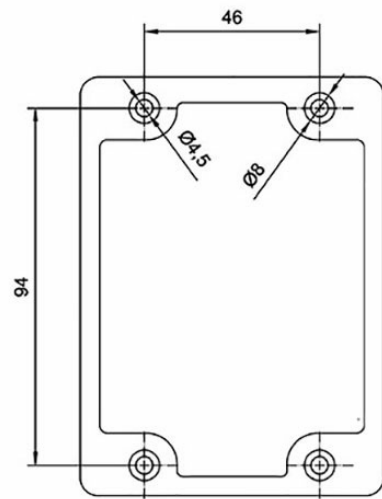
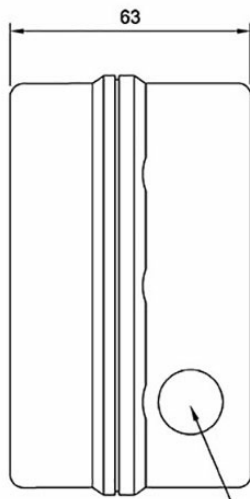
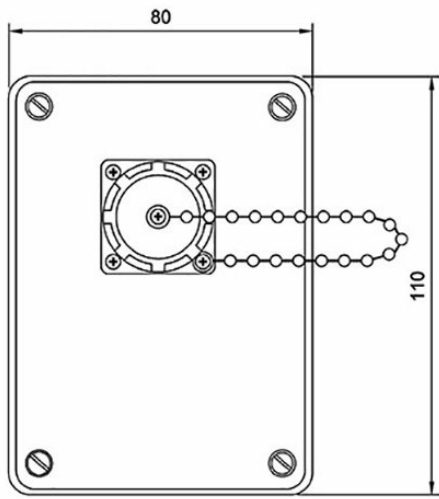
Plugbox Waterproof

 IP66

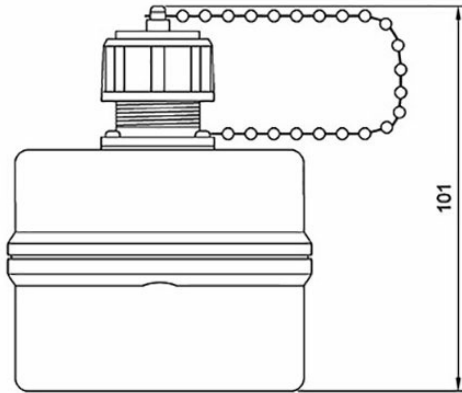
## Description

- ✓ Waterproof plug box
- ✓ Designed to be used in VSP / PRO700 and ACM systems
- ✓ Protected Socket with wall mounting
- ✓ Suitable for installation in noisy areas

## Technical Dimensions



Prepared for PG-11



# Specifications

## SPECIFICATIONS

Connections Screw terminals

Material Flame retardant blend plastic housing

IP class IP-66

Operating temperature range -25°C to 55°C

Dimensions (mm) 80W x 110H x 63D

Cable inlet PG-11

Weight 0.35 kg

