

1020600935

VSP-213-L

Main Station - Batteryless Telephone System - 12-Way



- ✓ 12 extensions selector switch
- ✓ Flush mounted
- ✓ Wall mounting with corresponding metal cabinet type MBOKS-G
- ✓ Desk mounting with corresponding wooden cabinet type VSPC-OAK
- ✓ Suitable for installation in wheelhouse, control room or accommodation

Description

VSP-213-L Main Station: Flexible Batteryless Telephone Solution

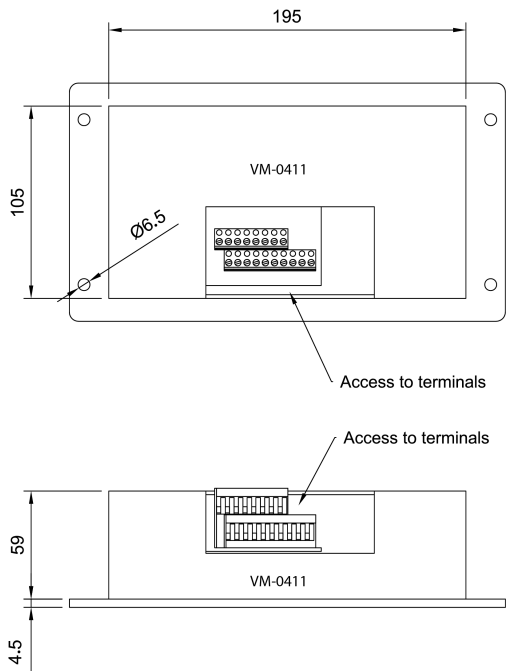
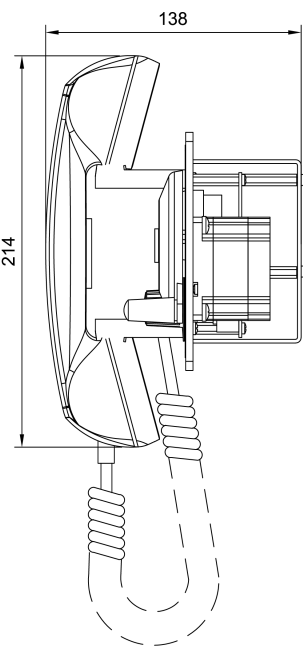
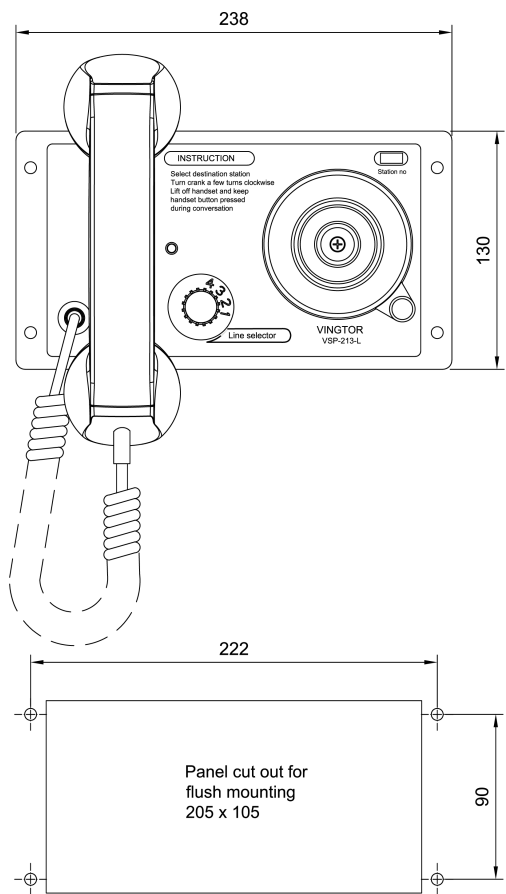
The VSP-213-L main station is part of our 12-way Batteryless telephone system. The 12-Way system consists of up to 12 main stations with selector switch for selective calling between all connected stations.

Features include:

- ✓ Multiple Mounting Options: Flush, wall, or desk mounting to accommodate different spaces.
- ✓ 12-Position Selector Switch: Allows for efficient communication between stations, crucial in emergencies.
- ✓ Reliable Functionality: Ensures clear communication, even during complete vessel power blackouts.

Designed for both general and accommodation areas, the VSP-213-L meets the stringent demands for reliable secondary communication onboard.

Technical Dimensions



Note: VM-0411 Protection Cover is an optional accessory

Specifications

SPECIFICATIONS

Connections	Screw terminals
Colour	Black
IP rating	IP-44
Dimensions (WxHxD)	238 x 205 x 137 mm (w/ handset and built-in depth)
Panel cut-out	205 x 105 mm
Weight	1.3 kg
Operating temperature range	-25°C to 55°C
Compass Safe Distance	> 155cm

Accessories



VSP-36-PEL-A

Headset with boom mic, headband, and 10m cable



VSP-36-PEL-A/20

Headset with boom mic, headband, and 20m cable



CD-4

Plugbox Waterproof



VSP-36-PELP-A

Headset with boom mic, headband, and 10m cable



VSP-36-PELP-A/20

Headset with boom mic, headband, and 20m cable



VSP-36-PELP-A/25

Headset with boom mic, headband, and 25m cable



MBOKS-G

VSP Batteryless Telephone System



VSPC-OAK

Wooden OAK Cabinet



IRR-24

Relay Box



IRR-VSP-220

Relay box 220V AC for VSP-12
way



VM-0411

Protection cover for VSP-stations