

IMCOS-9020 / IMCOS-9022 Single / multi-way self powered telephone



Product description

IMCOS-9020 and IMCOS-9022 are self powered telephones, suitable for ship applications. Specifically designed for marine environment, requiring a harsh and rugged product.

IMCOS-9020 is a single-way telephone, while IMCOS-9022 is a 12-way model.

Available in different versions, depending on the various installation locations.

Thanks to the built in audio generator and 12 stations selector switch, IMCOS-9022 allows a reliable point-to-point or multipoint communication with no central exchange needed. IMCOS-9020 can also be used for dedicated lines in a multiway system.

Type approved by marine class societies: ABS, BV, CCS, GL, LR, RINA. Tested according to EN60945, IACS-E10

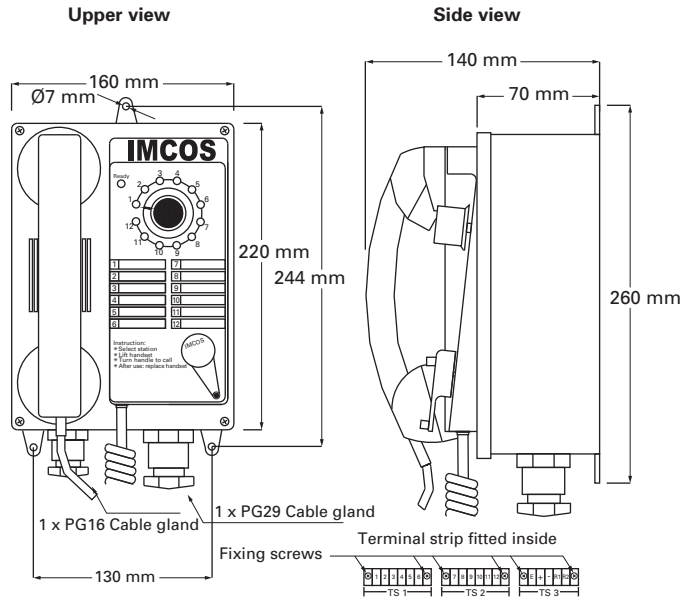
Features

- ABS. Non corrodible material
- 12-way selector switch (IMCOS-9022)
- Anti Rolling handset
- "READY" LED for start speaking signal
- "R/S" LED for status of recharge (IMCOS-9020)
- Optical LED call indication (IMCOS-9022)
- Optional 24 V DC power supply
- Dedicated headset with microphone suitable for noisy areas use
- Extensible handset lead up to 1,5 mt
- Different versions available:
 - console mounting (IMCOS-902x-C)
 - wall mount (IMCOS-902x-W)
 - portable with pre-wired plug and socket (IMCOS-902x-P)
- Wall mounting version can be equipped with headset and microphone (IMCOS-902x-W-HS)
- Ingress Protection IP55

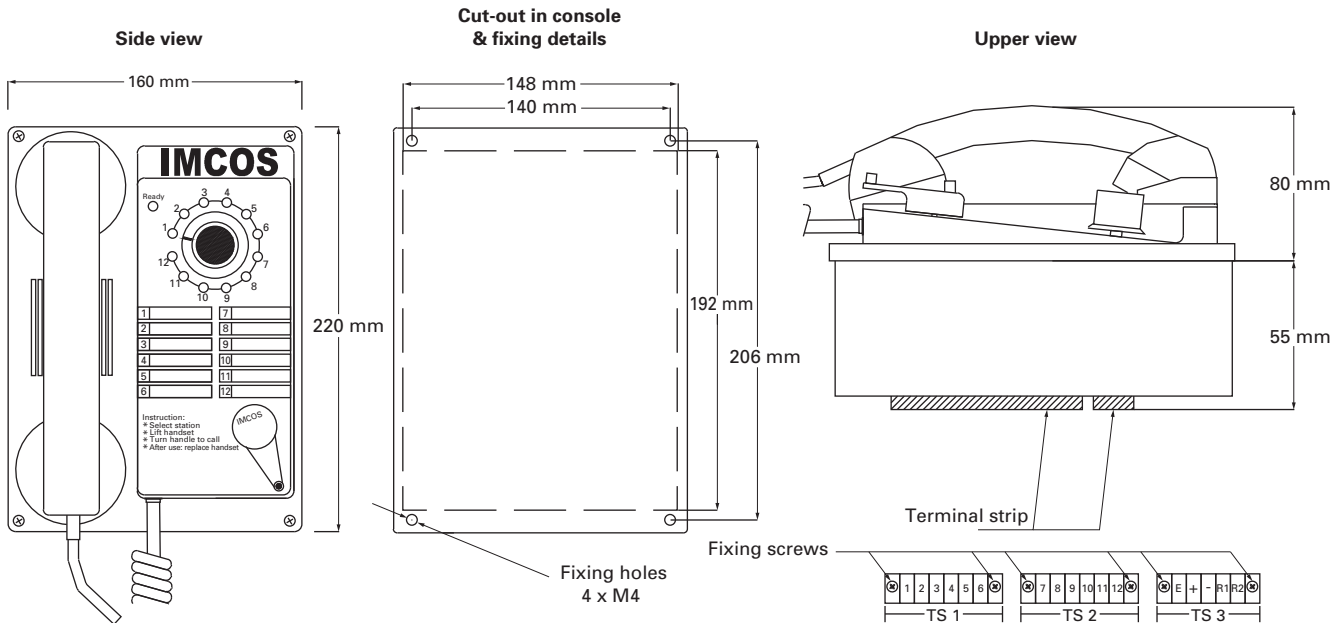
Specification

Material	ABS - black colour
Mounting	Console / wall mounting / portable version
Wiring	Screw terminals (-C / -W) 2 m. prewired cable and plug (-P) Cable type: 3 cores screened cables + 1 per added station
Cable glands	1XPG29; 1XPG16 (only -W)
Ingress protection	IP 55
Weight	1,2 Kg (IMCOS-9020-C) 1,3 Kg (IMCOS-9022-C) 1,3 Kg (IMCOS-9020-W) 1,5 Kg (IMCOS-9022-W) 1,8 Kg (IMCOS-9020-P) 2 Kg (IMCOS-9022-P)
Max/min temperature	+70/-25 °C
Test certifications	according to EN 60945 Enclosure Emissions EN 55016-2-3 Immunity EN 61000 Dry heat cycle EN 60068-2-2 Damp heat cycle EN 60068-2-30 Cold Test EN 60068-2-1 Salt mist EN 60068-2-52 Ingress Protection EN 60529 Sinusoidal Vibration EN 60068-2-6

IMCOS-902x-W Dimensions & fixing



IMCOS-902x-C Dimensions & fixing



Ordering requirements

The following code is designed to help in selection of the correct unit. Build up the reference number by inserting the code for each component into the appropriate box.

Model		Mounting		Headset		Accessories	
Entries	Code	Entries	Code	Entries	Code		
Single w.	IMCOS-9020-x-y	Console	C	no headset headset*	HS	IMCOS-902x-S	Socket for portable telephone
Multi w.	IMCOS-9022-x-y	Wall	W	(applicable to w model)		IMCOS-9032	Headset
		Portable	P				

All specifications, dimensions, weights and tolerances are nominal (typical) and Gitiessse reserve the right to vary all data without prior notice. No liability is accepted for any consequence of use.

IMCOS™ System is type approved by seven marine class societies.