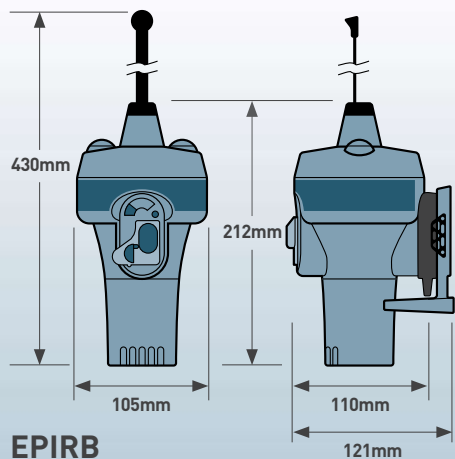
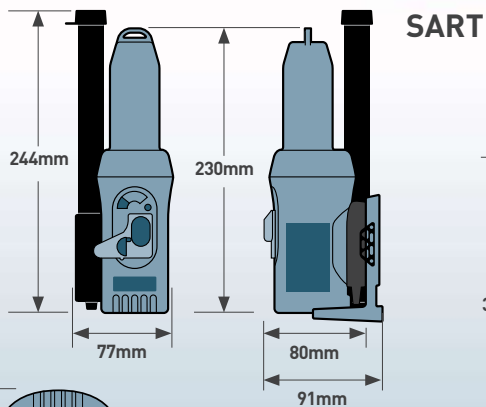


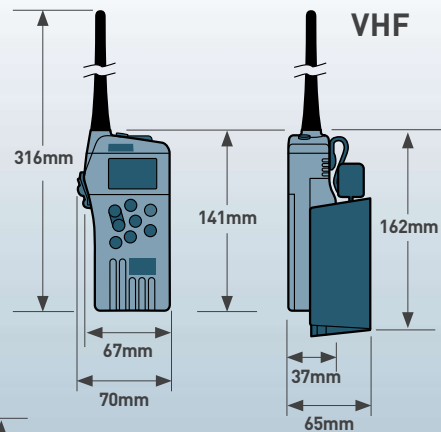
Product Outlines



EPIRB

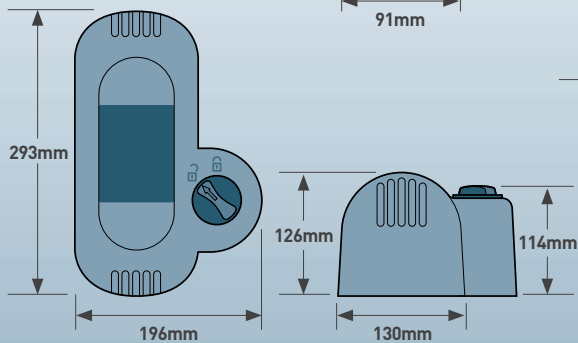


SART



VHF

Housings



Ocean Signal Ltd.
Unit 4, Ocivan Way
Margate
CT9 4NN
United Kingdom

info@oceansignal.com
www.oceansignal.com
+44 1843 282930



Two optional housings for the SafeSea EPIRB are available. Both are manufactured in a durable and highly UV stable plastic and provide excellent protection of the unit until it is required.

The EPIRB can be easily removed from either housing.

- MRH100 manual release housing
- ARH100 automatic release housing, containing a hydrostatic release mechanism which automatically deploys the EPIRB if the vessel is sinking

Note: IMO regulations require an automatic release housing to be provided for mandatory fitted EPIRB's.

Specifications:

Frequency
406.037MHz

Temperature range (class 2)
-20°C to +55°C

Standards (Meets or exceeds requirements of the following)

IMO A.662(16), A.694(17); A.810(19), A.814(19); MSC.56(66); MSC.120(74)

C/S T.001, T.007; IEC61097-2, IEC60945; RTCM SC110

See Web Site for further details of specification



ARH100 Automatic release housing



EPIRB Mounted with hydrostatic release