

**Released**

# X-band TR Limiter

## Model No. TL393

**Copyright©**

**Nisshinbo Micro Devices Inc.  
Microwave Business Headquarters**

-Notice of Proprietary Information-

This document and its contents are proprietary to Nisshinbo Micro Devices Inc.  
This publication and its contents may not be reproduced or distributed for any other purpose  
without the written permission of Nisshinbo Micro Devices Inc.  
Those specifications listed in this document are subject to change at any time.

## ■ GENERAL DESCRIPTION

TL393 is a broad band primer less TR Limiter designed specifically for use with X-band radars. Consisting of a TR tube and 2 stages diode limiter, TL393 is a small, rugged device, which protects the LNA or the mixer diode in the receiver from burning out as a result of RF power coming from other radars. Non-radioactive isotope is included for the ignition.



## ■ ELECTRICAL CHARACTERISTICS < at 25 °C >

PARAMETERS	MINIMUM	MAXIMUM	UNITS
Frequency range	9300	9500	MHz
V.S.W.R. (Note 1)	-	1.5	-
Insertion loss (Note 1,3)		2.0	dB
Flat leakage power (Note 2,3)		25	mW
Spike leakage power (Note 2,3)		400	mW
Recovery time (Note 4)		2.0	μs

Note 1: Measured at input power level 0.1mW CW.

Note 2: Measured at 50kW, 1.0μs pulse width and 1000 p.p.s.

Note 3: Measured at frequency 9410 MHz.

Note 4: Measured at 5kW, 1.0μs pulse width and 1000 p.p.s. 3dB recovered point.

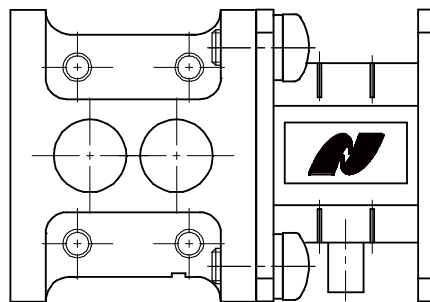
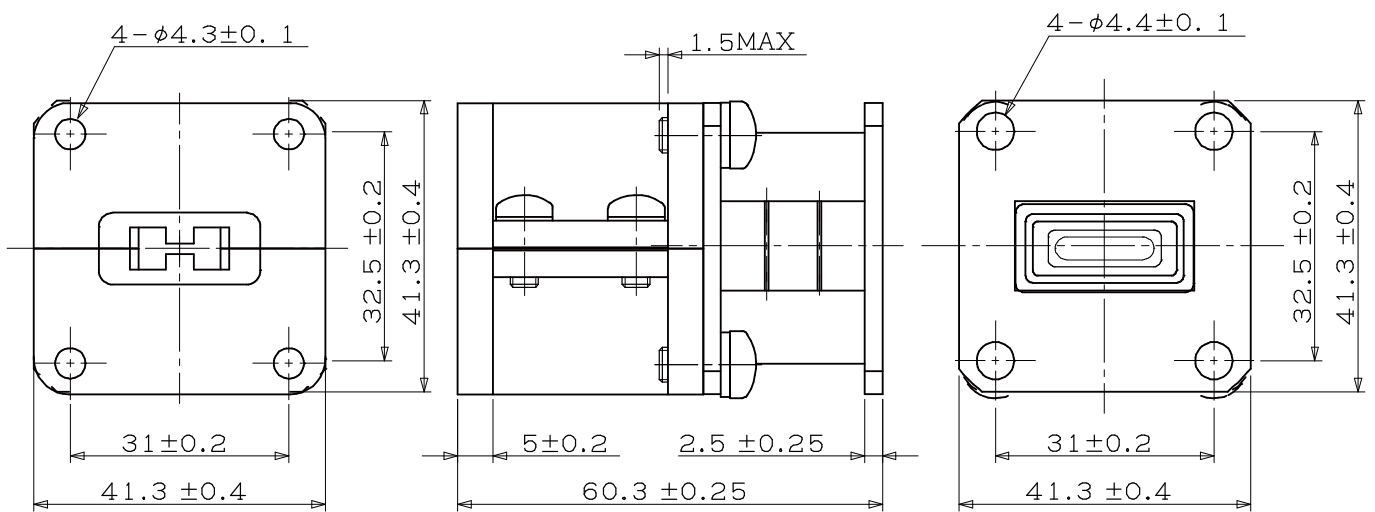
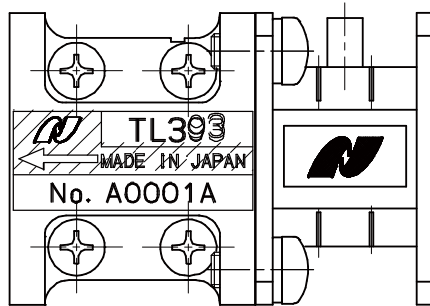
## ■ ABSOLUTE MAXIMUM RATINGS

These ratings cannot necessarily be used simultaneously and no individual ratings should be exceeded.

PARAMETERS	MINIMUM	MAXIMUM	UNITS
Transmitter power (Peak)	-	100	kW
Operating temperature	-30	+75	°C
Ambient temperature	-30	+90	°C
Pulse duration	-	1.2	μs

\* Above Specifications are subject to change without notice.

## ■ OUTLINE



(Dimensions are expressed in "mm".)

\* Above Specifications are subject to change without notice.

