

Released

S-band TR Limiter

Model No. TL378A

Copyright©

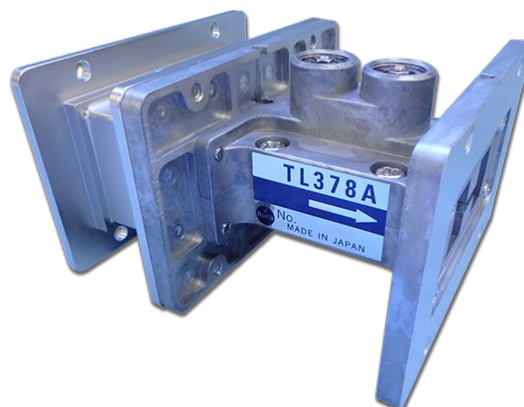
Nisshinbo Micro Devices Inc.
Microwave Business Headquarters

-Notice of Proprietary Information-

This document and its contents are proprietary to Nisshinbo Micro Devices Inc.
This publication and its contents may not be reproduced or distributed for any other purpose
without the written permission of Nisshinbo Micro Devices Inc.
Those specifications listed in this document are subject to change at any time.

■ GENERAL DESCRIPTION

TL378A is a broad band primer less TR Limiter designed specifically for use with S-band radars. Consisting of a TR tube and a diode limiter, TL378A is a small, rugged device which protects the mixer diode in the receiver from burning out as a result of RF power coming from it and other radars. Longer life is expected for TL378A, when used with circulator.



■ ELECTRICAL CHARACTERISTICS < at 25 °C >

PARAMETERS	MINIMUM	MAXIMUM	UNITS
Frequency range	3000	3100	MHz
V.S.W.R. (Note 1)	-	1.5	-
Insertion loss (Note 1,3)		1.5	dB
Flat leakage power (Note 2,3)		20	mW
Spike leakage power (Note 2,3)		400	mW
Recovery time (Note 2,3)		2.0	μs

Note 1: Measured at input power level 0.1mW CW.

Note 2: Measured at 30kW, 1.0μs pulse width and 1000 p.p.s.

Note 3: Measured at frequency 3050 MHz.

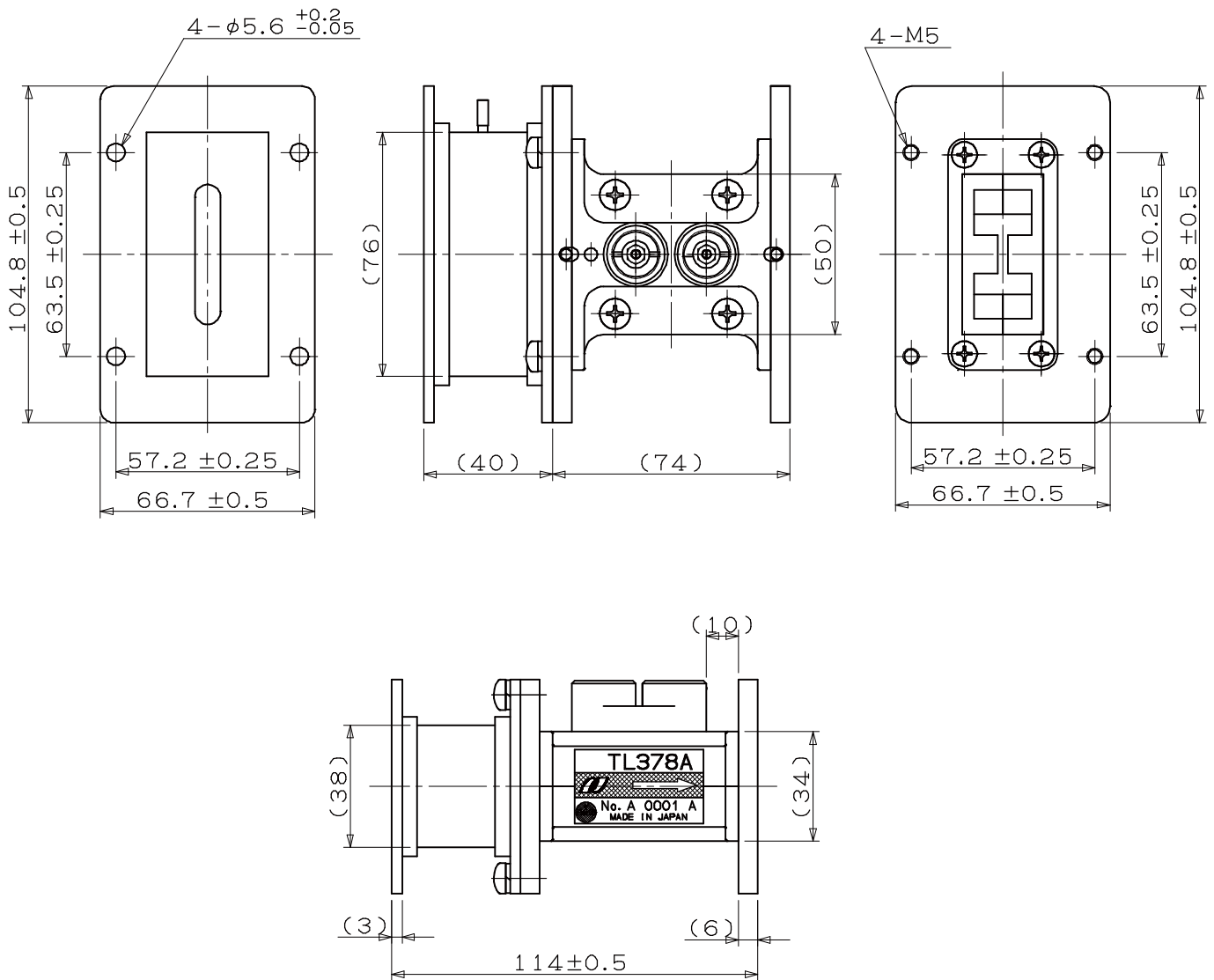
■ ABSOLUTE MAXIMUM RATINGS

These ratings cannot necessarily be used simultaneously and no individual ratings should be exceeded.

PARAMETERS	MINIMUM	MAXIMUM	UNITS
Transmitter power (Peak)	-	100	kW
Operating temperature	-30	+80	°C
Ambient temperature	-30	+90	°C

* Above Specifications are subject to change without notice.

■ OUTLINE



(Dimensions are expressed in "mm".)

* Above Specifications are subject to change without notice.

