

Date

Dec. 17, 2018

Released

S Band Diode Limiter

Model No. NJS6318

Copyright© 2018
New Japan Radio Co., Ltd.
Microwave Division

-Notice of Proprietary Information-

This document and its contents are proprietary to New Japan Radio Co., Ltd.
This publication and its contents may not be reproduced or distributed for any other purpose
without the written permission of New Japan Radio Co., Ltd.
Those specifications listed in this document are subject to change at any time, without notice.

New Japan Radio Co., Ltd.
Microwave Division

Title:

Datasheet of NJS6318

Reference No.:
DS-S6318

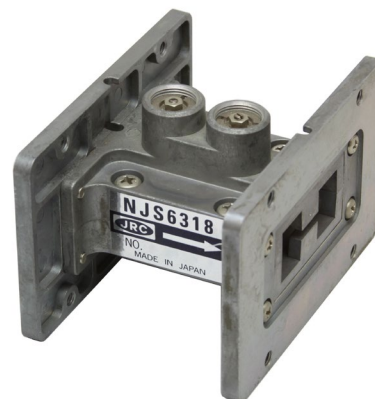
Rev.:
05E

Sheet:
1/3

■ GENERAL DESCRIPTION

NJS6318 is designed for the high power limiter of radar system.

It features a small size operable at any frequency between 3.00GHz and 3.10GHz. This diode limiter consists of the two stage self-biased limiter diodes, and no external trigger and no bias are required.



■ ABSOLUTE MAXIMUM RATINGS

PARAMETERS	MINIMUM	MAXIMUM	UNITS
Maximum handling power	-	30	kW
Continuous handling power	-	4	kW
Ambient temperature	-30	+90	°C
RF pulse width (Fig.1)	-	-	μs

■ ELECTRICAL CHARACTERISTICS < at 25°C >

PARAMETERS	MINIMUM	MAXIMUM	UNITS
V.S.W.R. (Note 1)	-	1.5	-
Insertion loss (Note 1,3)	-	1.2	dB
Flat leakage power (Note 2,3)	-	150	mW
Spike leakage power (Note 2,3)	-	600	mW
Recovery time (Note 2,3)	-	0.5	μs

Note 1: Measured at power level 0.1mW CW.

Note 2: Measured at power level 4kW, 1.0μs pulse width and 1000pps.

Note 3: Measured at frequency 3.05GHz.

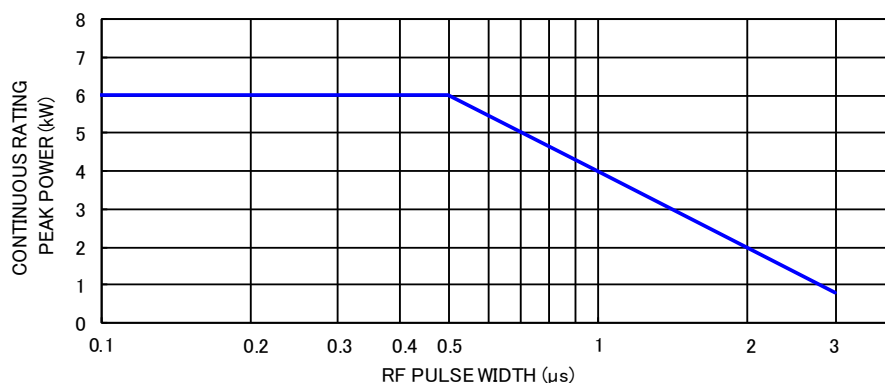
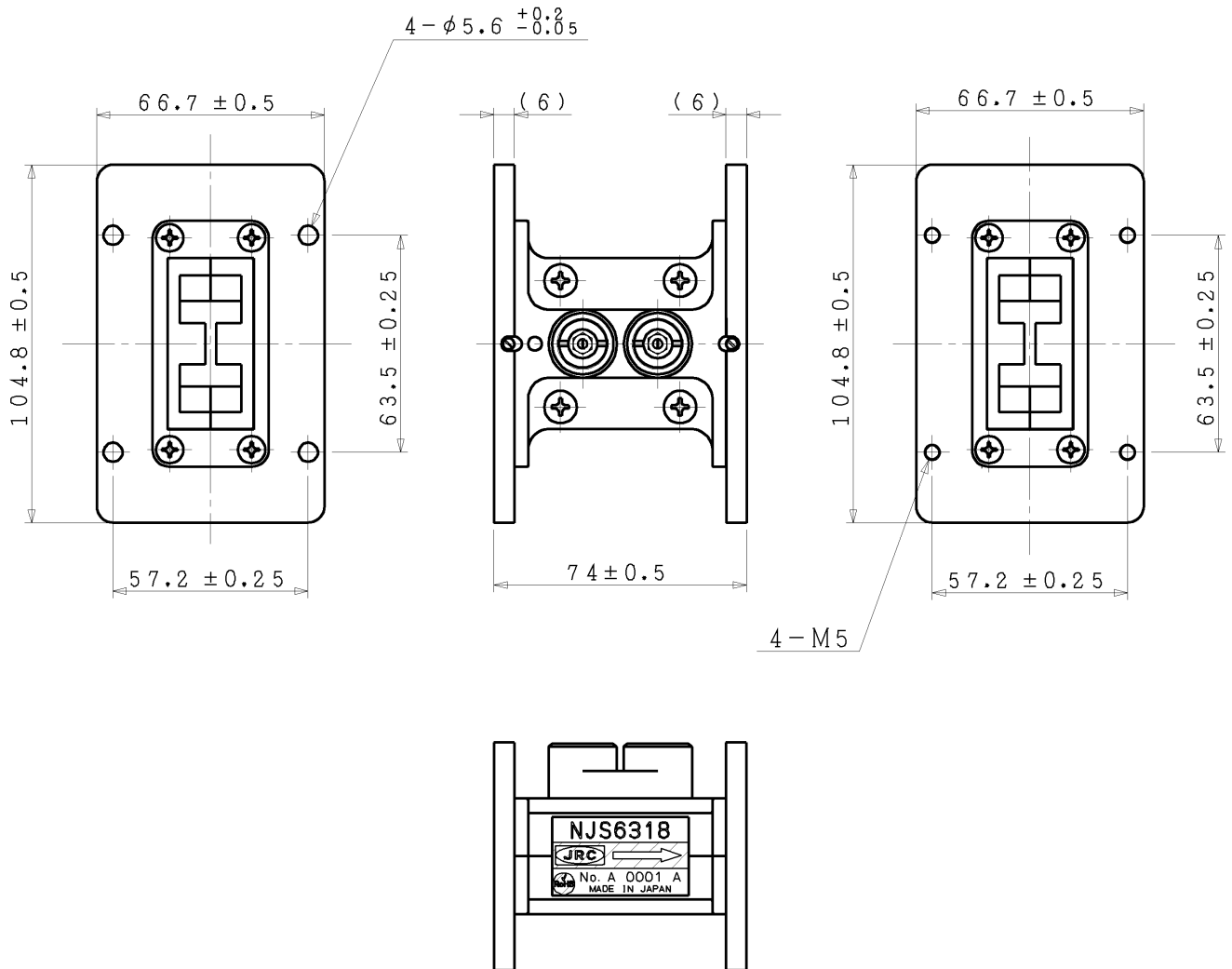


Fig.1 PULSE WIDTH DEPENDENCE OF CONTINUOUS RATINGS
(at=25 °C)

* Above Specifications are subject to change without notice.

■ OUTLINE



(Dimensions are expressed in "mm".)

* Above Specifications are subject to change without notice.

