

**Released**

# Dummy Load

## Model No. NJC4002

### Copyright©

**Nisshinbo Micro Devices Inc.**  
**Microwave Business Headquarters**

-Notice of Proprietary Information-

This document and its contents are proprietary to Nisshinbo Micro Devices Inc.  
This publication and its contents may not be reproduced or distributed for any other purpose  
without the written permission of Nisshinbo Micro Devices Inc.  
Those specifications listed in this document are subject to change at any time.

## ■ GENERAL DESCRIPTION

NJC4002 is a waveguide type dummy load, designed for X-band Marine Radar.

It loads the higher return loss at the broad band.



## ■ ABSOLUTE MAXIMUM RATINGS

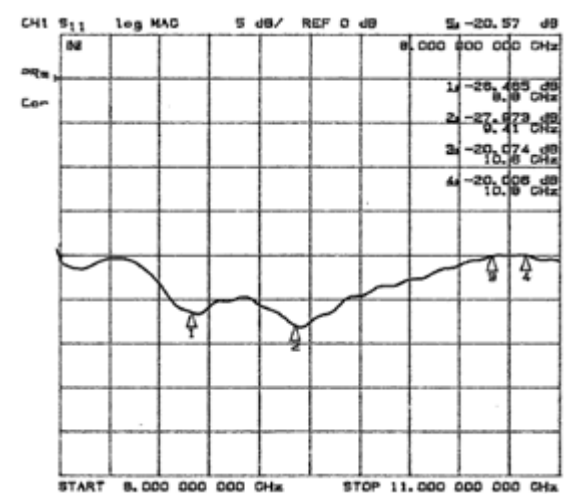
PARAMETERS		MINIMUM	MAXIMUM	UNITS
Continuous handling power	Peak	-	30	kW
	Average	-	30	W
Pulse width		-	1.3	μs
Storage temperature		-40	+100	°C
Operating temperature		-30	+85	°C
Humidity		-	90	%

## ■ ELECTRICAL CHARACTERISTICS

PARAMETERS		MINIMUM	MAXIMUM	UNITS
Frequency range		8.5	10.8	GHz
V.S.W.R.	(Condition 1)	-	1.5	-
Input coupling		UG-39/U Flange (WR90 Waveguide)		

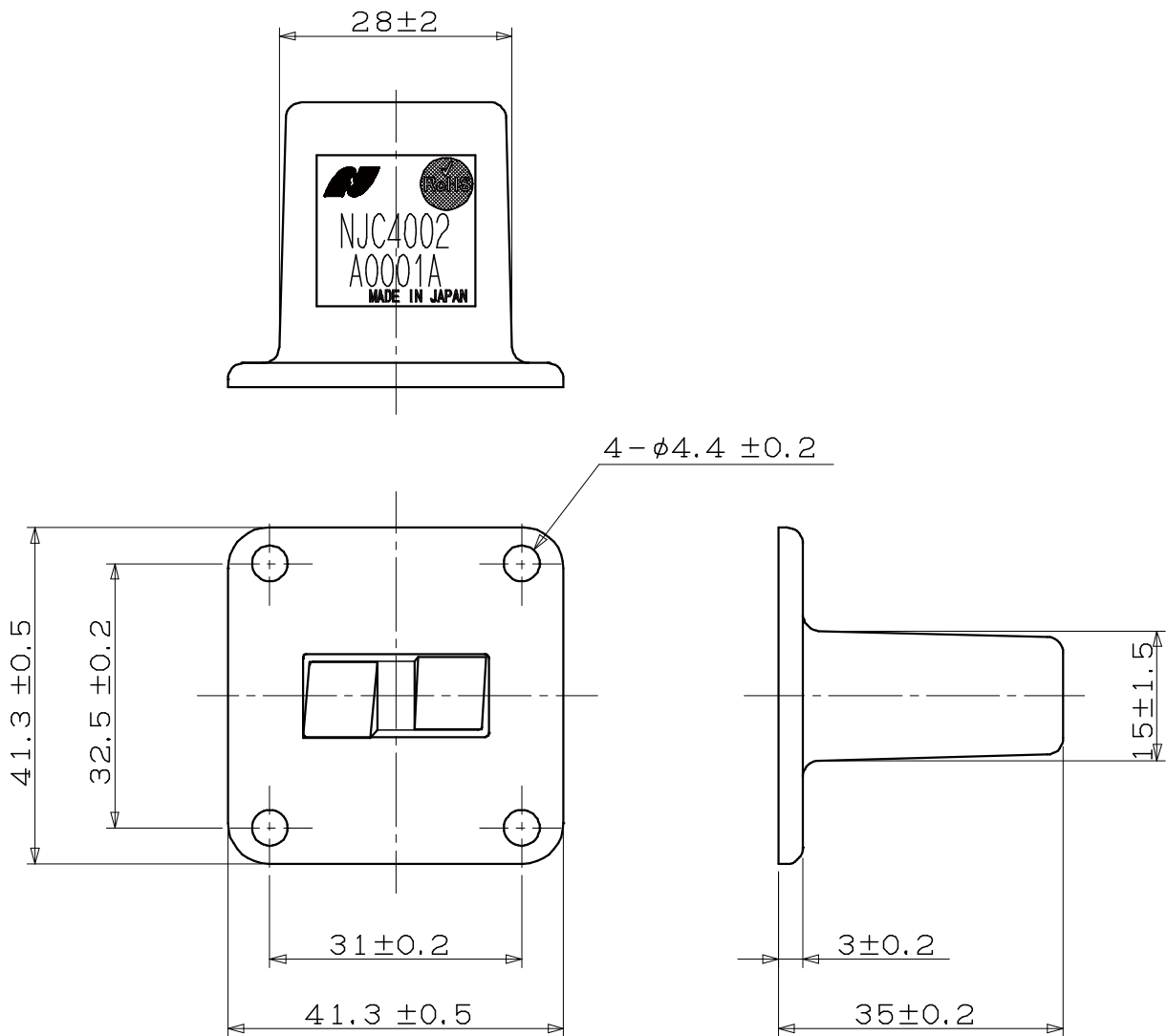
Condition 1: Measured at power level 0.1mW CW.

### PARAMETER TEST DATA



\* Above Specifications are subject to change without notice.

## ■ OUTLINE



(Dimensions are expressed in "mm".)

\* Above Specifications are subject to change without notice.

