

Gyrocompass TG-8000/8500

TG-8000/8500 is designed based on our previous TG model which has been installed on more than 8000 ships, keeping its high reliability, enhanced follow-up performance and interfacing features for equipment.

The TG-8000 is designed for standard IMO ship application whereas the TG-8500 is designed for High-Speed Craft application.



Features

- Suitable for speeds of up to 70knots (TG-8500)
- Fast follow-up rate (maximum 75°/s)
- Fast serial data output (IEC61162-2)
- Interfaces with external heading sensor.
- Minimal system components for dual gyro system for space saving & installation cost.
- Startup-timer function

TG-8000 : IMO regulated vessels
IMO A424 (XI) ISO 8728

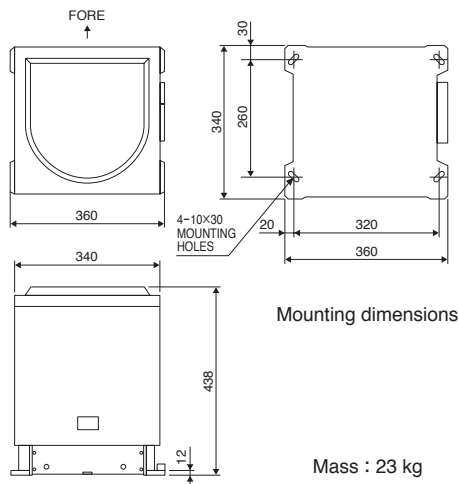
TG-8500 : High Speed Craft
IMO A821 (19) ISO 16328 HSC



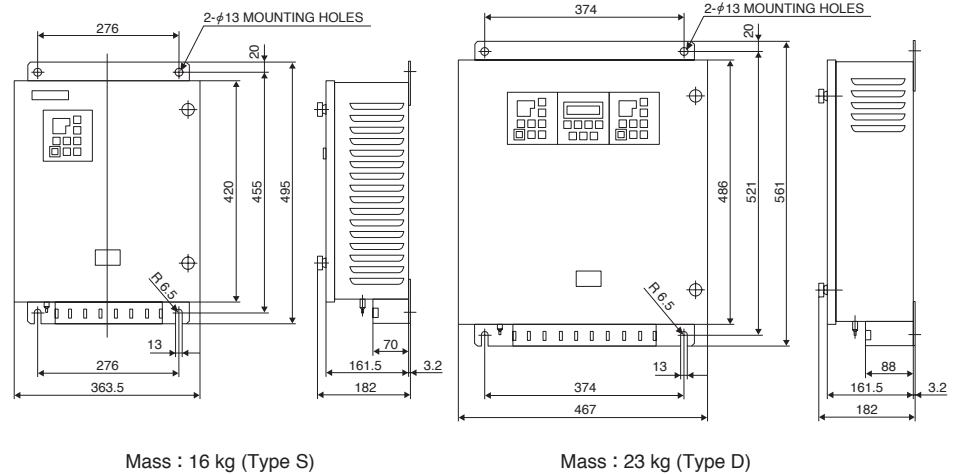
0062/

Configurations

Master compass



Control unit



Specifications

General Specifications

Power Supply

Main Power Supply : AC100/110/115/220 V 1 ϕ 50/60 Hz
Emergency Power Supply : DC24 V

Power Consumption

Starting : 140 VA
Operating : 70 VA
Repeaters : 150 VA 1/6 $^\circ$ 3 ϕ 9 Ports
Output Signal : DC24 V Stepper, 9 Repeaters (include Auto Pilot)
: IEC61162-1ed.2 or IEC61162-2 5 ports (include Auto Pilot)
: Rate of turn -5 V \sim +5 V/30 $^\circ$ / min
-10 V \sim +10 V/120 $^\circ$ or 300 $^\circ$ / min 3 ports
: Dry Contact (Operation, Alarm)

Input Signal

: Speed : 200 or 400 pulses/nm (Dry contact)
: IEC61162-1ed.2
: Position (GPS) : IEC61162-1ed.2
: External Heading Input : IEC61162-1ed.2 or IEC61162-2
: Dry Contact (Alarm Ack, Buzzer Stop)

Performance Specifications

Settling Accuracy

Settling Time : Less than 4 hours
Settling Point Error : Less than $\pm 0.3^\circ$
RSM Value : Less than 0.1 $^\circ$
Repeatability : Less than $\pm 0.2^\circ$
Accuracy on Scorsby Table : Less than $\pm 0.5^\circ$
Master-compass follow up rate : Maximum 75 $^\circ$ /s
Accuracy Under Environmental Variation : Less than $\pm 0.5^\circ$ (Condition : ISO8728 / ISO16328)

Environmental Conditions

Permissible Roll and Pitch angle : $\pm 45^\circ$

Design and specifications are subject to change without prior notice, and without any obligation on the part of the manufacturer.



CAUTION

Before operating this equipment, you should first thoroughly read the operator's manual.

TOKYO KEIKI

TOKYO KEIKI INC.

www.tokyo-keiki.co.jp/marine/

Marine Systems Company

Head Office

2-16-46, Minami-Kamata, Ohta-ku, Tokyo 144-8551 JAPAN
Tel. +81-3-3737-8611 Fax. +81-3-3737-8663

TOKYO KEIKI (SHANGHAI) CO., LTD.

C-1407, Orient International Plaza, No.85 Lou Shan Guan Rd., Shanghai 200336. CHINA
Tel. +86-21-3223-1252 Fax. +86-21-6278-7667

TOKYO KEIKI U.S.A., INC.

625 Fair Oaks Ave, Suite190, South Pasadena, California 91030 U.S.A.
Tel. +1-626-403-1500 Fax. +1-626-403-7400

Busan Liaison Office

Shindonga bldg. Room 1003, 749-1 Gayadaero, Busanjin-gu, Busan 614-783, KOREA
Tel. +82-51-802-2190 Fax. +82-51-802-2188

Singapore Branch

No.2 Jalan Rajah #07-26/28, Golden Wall Flatted Factory, Singapore 329134
Tel. +65-6254-1877 Fax. +65-6254-1745