

FURUNO

WEATHER FAX

Weather Facsimile Receiver



Model:
FAX-30



- ▶ **BlackBox unit connects directly to a PC with a printer through a single Ethernet cable.**
- ▶ **Presents weather charts, satellite images and NAVTEX messages on a PC screen**
- ▶ **Selected images/messages can be printed out from a printer interfaced with a PC**
- ▶ **Noise Rejection for clearer images**
- ▶ **Straightforward operation by using web browser**
- ▶ **Thumbnail view for easy selection of stored images**
- ▶ **Built-in NAVTEX receiver**
(The receiver does not conform to GMDSS regulations.)
- ▶ **Storage of up to twelve images and 130 NAVTEX messages on internal memory**
- ▶ **Fully automatic facsimile operation with a built-in schedule timer**
- ▶ **Facsimile images available in color, gray scale or monochrome**

solution

ial Weather/Navigation information on a PC

The FURUNO FAX-30 can turn any commercial PC into a weather fax and NAVTEX receiver. This "BlackBox" receiver unit allows direct connection with a single Ethernet cable to a commercial PC showing weather charts and satellite images.

The standard package includes the receiver unit and installation materials. An optional antenna and Windows® based PC are required for basic operation.

The information can be viewed simply by using an Internet browser, there is no complicated software to learn.

Print out the weather and NAVTEX information by using a printer interfaced with a PC. In addition, the FAX-30 has no mechanical moving parts, which provides maintenance-free and cost-effective solutions for safety information gathering.

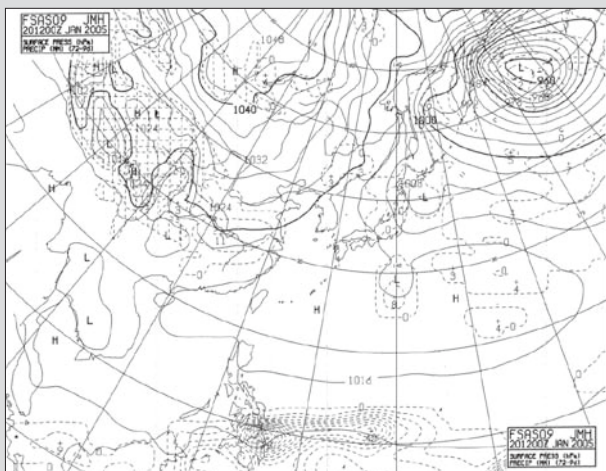
The FAX-30 receives weather map broadcasts from a fax transmitting station working under World Meteorological

Organization (WMO) standards. Up to twelve received pictures can be stored on the internal memory. Drum speeds, Index of Cooperation (IOC), and other essential parameters are manually or automatically selected to ensure quality reception. The fax station, which provides optimum image quality, can be searched utilizing the auto channel mode. The station is selected according to the quality of the signal reception. Phase and synchronization can be adjusted even after the reception is completed.

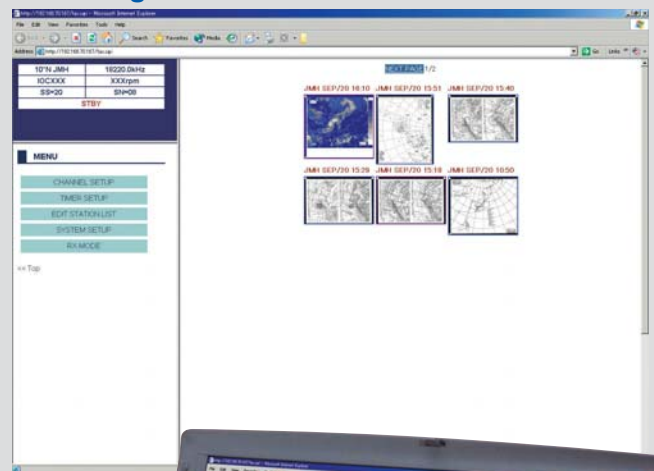
The stored pictures can be freely rotated or zoomed in/out on the screen. Display colors are selectable from three patterns of color, eight tones of gray scale and monochrome.

With a built-in NAVTEX receiver, you can view up to 130 recently received NAVTEX messages. The NAVTEX messages cannot be received while receiving FAX images.

Weather Chart



Browsing Screen



Navtex Message

GD75 JAN/21 05:49 518kHz ERROR RATE=0.0%

ZCZC GD75
221700 UTC JAN 05
OVERBOARD NO.20
RUNNING UNMANNED FISHING BOAT WAS
SIGHTED IN POSITION SOUTHWEST OF
YAKUSHIMA(30-12.3N 130-25.9E)
AT 220750UTC.
THE CREWMAN SEEMS TO HAVE FALLEN
OVERBOARD.
SHIPS IN THE VICINITY ARE REQUESTED TO
KEEP A SHARP LOOKOUT AND REPORT ANY
INFORMATION TO JAPAN COAST GUARD.

NNNN

Satellite Image



SPECIFICATIONS

PRODUCT NAME FACSIMILE RECEIVER

GENERAL

Frequency
 FAX: LF 80-160 kHz
 MF/HF 2-25 MHz
 NAVTEX: 490 kHz, 518 kHz
 Class of Emission
 FAX: F3C/J3C
 NAVTEX: F1B
 Receiving System Double superheterodyne
 Number of Channels 1000 channels
 Scanning Speed 60, 90, 120, 180 or 240 r.p.m.,
 automatic or manual selection
 IOC 576 or 288
 automatic or manual selection
 Display Color Monochrome, 8 shades of gray,
 Blue shades, Pink and Black,
 Red and blue
 Networking Interface Ethernet 10 BASE-T TCP/IP

POWER SUPPLY 12-24 VDC, 1.0-0.5 A

MINIMUM SYSTEM REQUIREMENTS FOR PC

OS: Windows 98, 2000, XP, Vista
 CPU: 600 MHz or faster

RAM: 128 MB or more
 Resolution: 1024 x 768 pixels
 Network Facility: Ethernet network facility required
 Browser:
 Internet Explorer Ver. 5.01 SP2/5.5 SP2/6.0 SP1/7.0
 Netscape® Communicator Ver. 4.78/6.2/7.0

Environment

Temperature -15C to +55C
 Waterproof IPX2

EQUIPMENT LIST

Standard

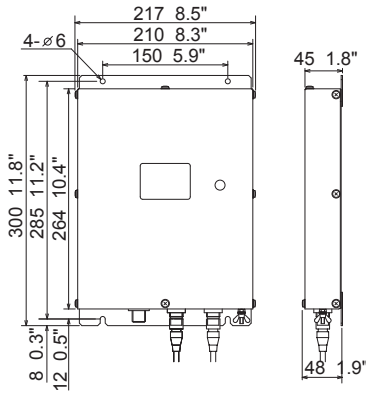
- | | |
|--|--------|
| 1. Receiver Unit FAX-30 | 1 unit |
| 2. Installation Materials and Spare Parts
(including 5 m Power Cable) | 1 set |

Option

1. Preamp Unit FAX-5 with 15 m cable
2. Whip Antenna for FAX-5 04S4176
3. Antenna Fixing Clamp OP08-11
4. Extension Kit for Antenna Cable OP-04-2 10/20/30/40/50 m
5. PC Adapter Cable MJ-A6SPF0017-050C
6. HUB Adapter Cable MJ-A6SRMD/TM11AP8-005
7. Automatic Printing Software FAX-30-APT

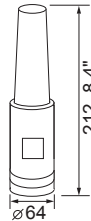
Receiver Unit

FAX-30 2.0 kg 4.4 lb

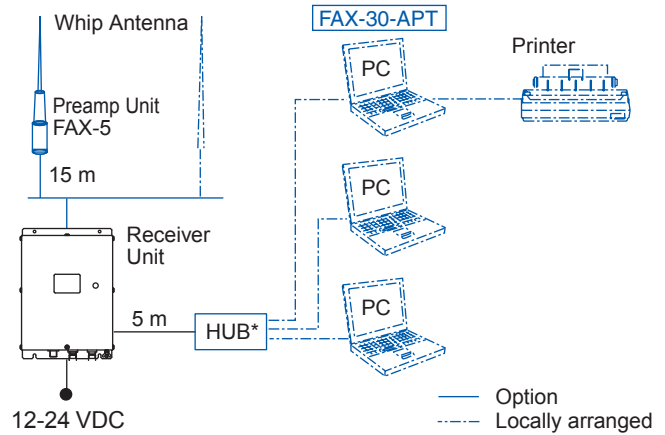


Preamp Unit (option)

FAX-5 1.3 kg 2.9 lb



INTERCONNECTION DIAGRAM



* Not required to connect single PC.

NOTE: FAX-30 cannot be accessed by more than one PC at a time.
 FAX-30-APT can not be run in multiple PC at a time.

All brand and product names are registered trademarks, trademarks
 or service marks of their respective holders.
 SPECIFICATIONS SUBJECT TO CHANGE WITHOUT NOTICE

FURUNO ELECTRIC CO., LTD.
 Nishinomiya, Hyogo, Japan
 www.furuno.com
FURUNO U.S.A., INC.
 Camas, Washington, U.S.A.
 www.furunousa.com
FURUNO (UK) LIMITED
 Havant, Hampshire, U.K.
 www.furuno.co.uk
FURUNO NORGE A/S
 Ålesund, Norway
 www.furuno.no

FURUNO DANMARK A/S
 Hvidovre, Denmark
 www.furuno.dk
FURUNO SVERIGE AB
 Västra Frölunda, Sweden
 www.furuno.se
FURUNO FINLAND OY
 Espoo, Finland
 www.furuno.fi
FURUNO POLSKA Sp. z o.o.
 Gdynia, Poland
 www.furuno.pl

FURUNO DEUTSCHLAND GmbH
 Rellingen, Germany
 www.furuno.de
FURUNO FRANCE S.A.S.
 Bordeaux-Mérignac, France
 www.furuno.fr
FURUNO ESPAÑA S.A.
 Madrid, Spain
 www.furuno.es
FURUNO ITALIA S.r.l.
 Genoa, Italy

FURUNO HELLAS S.A.
 Glyfada, Greece
 www.furuno.gr
FURUNO (CYPRUS) LTD
 Limassol, Cyprus
 www.furuno.com.cy
FURUNO EURUS LLC
 St. Petersburg, Russian Federation
 www.furuno.com.ru
FURUNO SHANGHAI CO., LTD.
 Shanghai, China
 www.furuno.com/cn

FURUNO KOREA CO., LTD.
 Busan, Korea
RICO (PTE) LTD
 Singapore
 www.rico.com.sg

14073SK Printed in Japan
 Catalogue No. FX-618e