

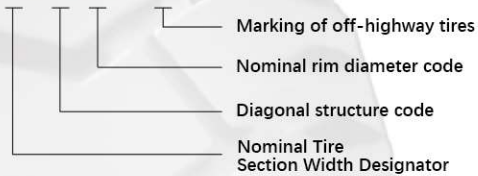


# TIRE SPECIFICATIONS

## 1. INDICATION OF SPECIFICATIONS FOR PNEUMATIC TIRES FOR INDUSTRIAL VEHICLES

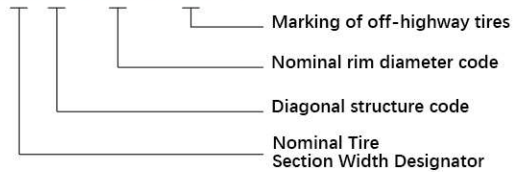
### Ordinary cross-section industrial vehicle tires

**6.50 - 10 NHS**



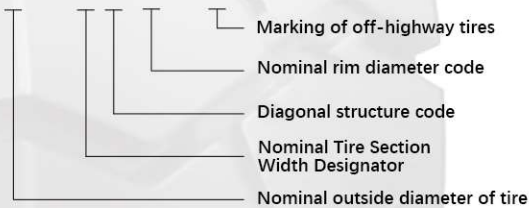
### Low profile industrial vehicle tires

**12 - 16.5 NHS**



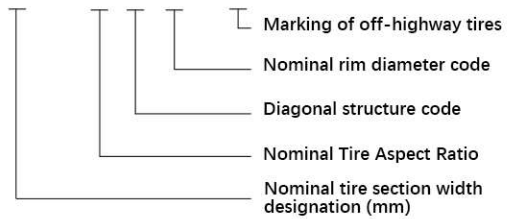
### Wide cross-section industrial vehicle tires

**28 x 9 - 15 NHS**



### Metric Series Tires

**355 / 65 - 15 NHS**



## 2. PNEUMATIC TIRE RIMS SOLID TIRE SPECIFICATION EXPRESSION METHOD

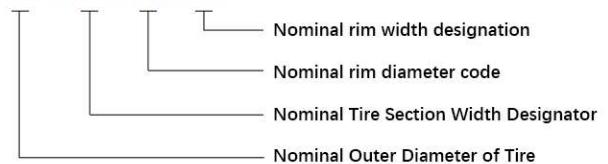
### Ordinary cross-section solid tires

**7.00 - 12 / 5.0**



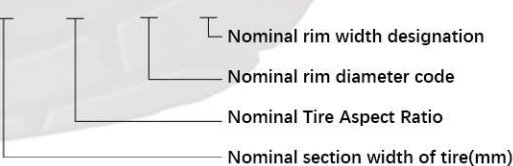
### Wide section solid tires

**27x10-12/8.0**



### Metric series solid tires

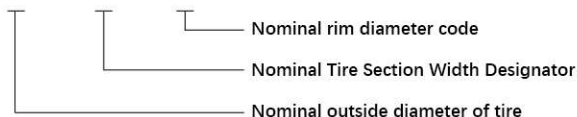
**200 / 50 - 10/6.5**



## 3. PRESSURE-MATCHED SOLID TIRE SPECIFICATION REPRESENTATION

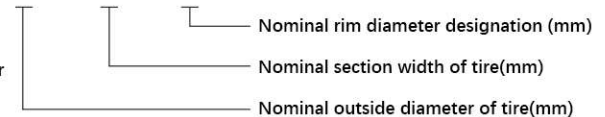
### Inch Series Solid Tires

**28 x 12 x 22**



### Metric series solid tires

**425x150x305**





# PNEUMATIC TIRES FOR INDUSTRIAL VEHICLES

## OB-502 TIRE SPECIFICATIONS AND TECHNICAL PARAMETERS

(Deepened block pattern, standard for internal combustion forklifts)

NORM	LEVEL	TYPOLOGY	WASHBASIN	NEW TIRE INFLATION SIZE		INFLATION PRESSURE (KPA)	MAXIMUM TIRE LOAD AT DIFFERENT TOP SPEEDS /KG								VALVE VALVE MODEL
				OUTER DIAMETER (MM)	SECTION WIDTH (MM)		COUNTERBALANCED FORKLIFT TRUCKS				OTHER INDUSTRIAL VEHICLES				
							25KM/H		35KM/H		10KM/H	25KM/H	40KM/H	50KM/H	
							DRIVING WHEEL	STEERING WHEEL	DRIVING WHEEL	STEERING WHEEL					
5.00-8NHS	8	TT	3.50D	470	137	790	1000	845	930	745	845	625	555	535	Z1-01-1
	10	TT				1000	1150	970	1065	850	-	-	-	-	
6.00-9NHS	10	TT	4.00E	540	160	860	1505	1275	1400	1120	1275	940	835	805	Z1-01-1
	12	TT				1030	1675	1415	1560	1245	1415	1045	930	895	
6.50-10NHS	10	TT/TL	5.00F	590	175	790	1655	1400	1540	1230	1400	1030	920	885	Z1-01-1
	12	TT				1000	1895	1600	1765	1410	-	-	-	-	
	14*	TT				1000	2340	1800	2250	1665	2340	1800	1605	1515	
7.00-9NHS	10	TT	5.00S	590	190	860	1995	1685	1850	1480	1685	1240	1105	1065	Z1-01-1
7.00-12NHS	12	TT	5.00S	676	190	860	2375	2005	2205	1765	2005	1480	1320	1265	Z1-01-1
	14	TT				1000	2590	2190	2405	1925	2190	1610	1440	1380	
	16*	TT				1000	2910	2240	2800	2070	2910	2240	1995	1880	
7.00-15NHS	12	TT	5.5	750	200	860	2870	2420	2665	2130	2420	1785	1595	1530	Z1-01-3
	14	TT				1000	3140	2655	2920	2330	2655	1955	1745	1675	
7.50-15NHS	12	TT	6.0	780	215	790	3075	2680	2860	2285	2680	1915	1710	1640	Z1-01-3
	14	TT				925	3375	2840	3150	2485	2840	2095	1870	1795	
	16	TT				1000	3550	2980	3300	2665	2975	2190	1960	1880	
7.50-16NHS	12	TT	6.00G	805	215	790	3195	2700	2970	2370	2700	1990	1775	1705	Z1-01-4
8.25-12NHS	12	TT	5.00S	728	210	700	2000(15km/h 驱动轮)								Z1-01-2
8.25-15NHS	14	TT/TL	6.5	840	235	830	3775	3185	3505	2800	3185	2350	2095	2010	Z1-01-5
	16	TT				925	4050	3450	3600	3010	3450	2520	2250	2160	
9.00-16NHS	14	TT	6.50H	890	255	760	4495	3795	4175	3335	3795	2800	2500	2400	Z1-01-4
	16	TT				900	4930	4165	4580	3660	4165	3070	2740	2630	
9.00-20NHS	14	TT	7.0	1018	259	760	5195	4385	4825	3855	4385	3230	2885	2770	Z1-01-6
	16	TT				860	5595	4725	5200	4155	4725	3480	3110	2985	
	18*	TT				960	5955	5030	5535	4420	5030	3705	3310	3175	
10.00-20NHS	20*	TT	7.5	1073	278	1000	6900	5310	6640	4910	-	-	-	Z1-01-7	
12.00-20NHS	20	TT	8.5	1145	315	900	7400	6325	6905	5615	6325	4785	4325	4170	Z1-01-8
	24*	TT				975	8500	6540	8175	6050	-	-	-	-	
16x6-8NHS	10	TT	4.33R	425	152	860	1085	920	1010	805	-	-	-	Z1-01-1	
	16*	TT				1000	1495	1150	1440	1065	1495	1150	1025		965
18x7-8NHS	14	TT	4.33R	465	173	970	1505	1270	1400	1120	-	-	-	JS1	
	16	TT				1000	1695	1450	1640	1260	1450	1055	940		905
21x8-9NHS	14	TT	6.00E	535	200	1000	2040	1725	1895	1515	1725	1270	1135	1090	Z1-01-4
	16*	TT				1000	2755	2120	2650	1960	2755	2120	1885	1780	
23x9-10NHS	14	TT	6.50F	595	225	900	2585	2185	2405	1920	2185	1610	1435	1380	Z1-01-4
	16	TT				1030	2810	2370	2610	2085	2370	1750	1560	1500	
	18*	TT				900	3160	2430	3040	2250	3160	2430	2165	2040	
23x10-12NHS	16	TT	8.00G	597	254	970	3220	2720	2870	2395	2720	2005	1795	1725	JS2
23x10-10NHS	14*	TT	6.50F	620	255	900	2300	1950	2145	1695	-	-	-	Z1-01-1	
27x10-12NHS	14	TT	8.00G	690	255	860	3285	2775	3050	2440	2775	2045	1825	1750	Z1-01-5
28x8-15NHS	12	TT	6.50T	706	203	760	2355	1985	2185	1745	1985	1465	1305	1255	Z1-01-5
28x9-15NHS	14	TT/TL	7.0	710	220	970	3050	2575	2835	2265	2575	1900	1695	1625	Z1-01-5
	16	TT				1000	3115	2630	2895	2310	2630	1940	1730	1660	
32x12.1-15NHS	24*	TT	9.75	826	305	1000	7800	6000	7500	5550	7800	6000	5340	5040	Z1-01-3
250-15NHS	16	TT	7.5	735	250	930	3865	3265	3500	2870	3265	2405	2145	2060	Z1-01-7
	18	TT				1030	4110	3470	3820	3050	3470	2555	2285	2190	
300-15NHS	18	TT	8.0	840	300	830	5530	4870	5135	4105	4870	3440	3070	2950	Z1-01-7
	20	TT				930	5940	4990	5485	4375	4990	3675	3290	3155	
355/65-15NHS	24*	TT/TL	9.75	843	354	1000	7800	6000	7500	5550	7800	6000	5340	5040	Z1-01-7
	26*	TT/TL				1200	8970	6900	8625	6385	8970	6900	6140	5795	





## MB-413 TIRE SPECIFICATIONS AND TECHNICAL PARAMETERS

(Low rolling resistance industrial vehicle tires, preferred for battery cars)



NORM	LEVEL	TYPOLOGY	WASHBASIN	NEW TIRE INFLATION SIZE		INFLATION PRESSURE (KPA)	MAXIMUM TIRE LOAD AT DIFFERENT TOP SPEEDS /KG								VALVE VALVE MODEL
				OUTER DIAMETER (MM)	SECTION WIDTH (MM)		COUNTERBALANCED FORKLIFT TRUCKS				OTHER INDUSTRIAL VEHICLES				
							25KM/H		35KM/H		10KM/H	25KM/H	40KM/H	50KM/H	
				DRIVING WHEEL	STEERING WHEEL		DRIVING WHEEL	STEERING WHEEL							
4.00-8NHS	8	TT	3.00D	415	112	930	745	630	695	555	630	465	415	400	Z1-05-1
5.00-8NHS	8	TT	3.50D	470	137	790	1000	845	930	745	845	625	555	535	Z1-01-1
	10	TT				1000	1150	970	1065	850	-	-	-	-	
6.00-9NHS	10	TT	4.00E	540	160	860	1505	1275	1400	1120	1275	940	835	805	Z1-01-1
	12	TT				1030	1675	1415	1560	1245	1415	1045	930	895	
6.50-10NHS	10	TT	5.00F	590	175	790	1655	1400	1540	1230	1400	1030	920	885	Z1-01-1
7.00-12NHS	12	TT	5.00S	676	190	860	2375	2005	2205	1765	2005	1480	1320	1265	Z1-01-1
16x6-8NHS	16*	TT	4.33R	425	152	1000	1495	1150	1440	1065	1495	1150	1025	965	Z1-01-1
18x7-8NHS	14	TT	4.33R	465	173	970	1505	1270	1400	1120	-	-	-	-	JS1
21x8-9NHS	14	TT	6.00E	535	200	1000	2040	1725	1895	1515	1725	1270	1135	1090	Z1-01-4
	16*	TT				1000	2755	2120	2660	1960	2755	2120	1885	1780	
23x9-10NHS	16	TT	6.50F	595	225	1030	2810	2370	2610	2085	2370	1750	1560	1500	Z1-01-4
	18*	TT				900	3160	2430	3040	2250	3160	2430	2165	2040	
28x9-15NHS	14	TT	7.0	710	220	970	3050	2575	2835	2265	2575	1900	1695	1625	Z1-01-5
	16	TT				970	3220	2720	2870	2395	2720	2005	1795	1725	
23x10-12NHS	18	TT	8.00G	597	254	1030	3355	2835	2990	2495	2835	2095	1870	1795	JS2
	20*	TT				1000	3770	2900	3625	2680	-	-	-	-	
200/75-12NHS	14*	TT	6.50G	595	200	1000	2500(16km/h 驱动轮)								Z1-01-4



## LB-023 TIRE SPECIFICATIONS AND TECHNICAL PARAMETERS

(Extra-deep pattern for extra-long life)

NORM	LEVEL	TYPOLOGY	WASHBASIN	NEW TIRE INFLATION SIZE		INFLATION PRESSURE (KPA)	MAXIMUM TIRE LOAD AT DIFFERENT TOP SPEEDS /KG								VALVE VALVE MODEL
				OUTER DIAMETER (MM)	SECTION WIDTH (MM)		COUNTERBALANCED FORKLIFT TRUCKS				OTHER INDUSTRIAL VEHICLES				
							25KM/H		35KM/H		10KM/H	25KM/H	40KM/H	50KM/H	
				DRIVING WHEEL	STEERING WHEEL		DRIVING WHEEL	STEERING WHEEL							
5.00-8NHS	10	TT	3.50D	467	137	1000	1405	1040	1305	965	-	-	-	-	Z1-01-1
6.00-9NHS	10	TT	4.00E	535	160	850	1730	1280	1600	1185	1465	1185	1030	935	Z1-01-1
6.50-10NHS	12	TT	5.00F	588	177	900	2095	1550	1935	1435	-	-	-	-	Z1-01-1
7.00-12NHS	14	TT	5.00S	670	192	1000	3085	2285	2860	2120	2620	2120	1840	1670	Z1-01-1
7.00-15NHS	12	TT	5.5	746	197	825	3140	2325	2910	2155	2665	2155	1870	1700	Z1-01-3
7.50-16NHS	12	TT	6.00G	798	212	775	3545	2625	3285	2435	3010	2435	2115	1920	Z1-01-4
8.15-15NHS	12	TT	7.0	711	221	700	2910	2240	2770	2050	-	-	-	-	Z1-01-5
8.25-15NHS	16	TT	6.5	836	234	900	4470	3310	4145	3070	3795	3070	2665	2425	Z1-01-5



## MB-238 TIRE SPECIFICATIONS AND TECHNICAL PARAMETERS

(Deep pattern, for airport ground luggage trolleys)

NORM	LEVEL	TYPOLOGY	WASHBASIN	NEW TIRE INFLATION SIZE		INFLATION PRESSURE (KPA)	MAXIMUM LOAD /KG	VALVE VALVE MODEL
				OUTER DIAMETER (MM)	SECTION WIDTH (MM)			
6.00-9NHS	10	TT	4.00E	545	160	860	1515	Z1-01-1
	12	TT				1030	1685	
6.50-10NHS	10	TT	5.00F	597	178	790	1725	Z1-01-1
	12	TT				970	1935	





## L-2B TIRE SPECIFICATIONS AND TECHNICAL PARAMETERS

(Standard tires for skid steer loaders, haulers, rough terrain forklifts and aerial work platforms)

NORM	LEVEL	TYPOLOGY	WASHBASINS	NEW TIRE INFLATION SIZE		INFLATION PRESSURE (KPA)	MAXIMUM LOAD /KG		VALVE VALVE MODEL
				OUTER DIAMETER (MM)	SECTION WIDTH (MM)		10KM/H		
5.70-12NHS	8	TL	4.50-I-70	570	146	620	835		TR13
23x8.50-12NHS	6	TL	7.00-I-70	574	213	340	820	TR13CW	
	8	TL				450	960		
	10	TL				550	1080		
27x8.50-15NHS	8	TL	7JA	660	216	410	1100	TR15	
	10	TL				480	1200		
10-16.5NHS	8	TL	8.25	773	264	410	1880	TR15CW	
	10	TL				520	2135		
12-16.5NHS	10	TL	9.75	831	307	450	2540	TR15CW	
	12	TL				550	2865		
14-17.5NHS	14	TL	10.50	921	349	550	3875	TR15	
	16	TL				620	4125		



L-2B

## L-2C TIRE SPECIFICATIONS AND TECHNICAL PARAMETERS

(Aerial working platform special tires)

NORM	LEVEL	TYPOLOGY	WASHBASINS	NEW TIRE INFLATION SIZE		INFLATION PRESSURE (KPA)	MAXIMUM LOAD (KG)	LOAD INDEX	SPEED LEVEL	MAXIMUM SPEED (KM/H)
				OUTER DIAMETER (MM)	SECTION WIDTH (MM)					
26x12-16.5NHS	14	TL	9.75	663	283	600	2000	132	A2	10
315/55D20NHS	12	TL	11	845	319	560	3550	152	A2	10
355/55D625NHS	166A1	TL	11.75	940	350	965	5300	166	A1	5
	147A2	TL				520	3100	147	A2	10
18-625 NHS	16	TL	15	1035	450	690	6900	175	A2	10



L-2C

## L-2D TIRE SPECIFICATIONS AND TECHNICAL PARAMETERS

(Economy tires for skid steer loaders, haulers, rough terrain forklifts, aerial work platforms)

NORM	LEVEL	TYPOLOGY	WASHBASINS	NEW TIRE INFLATION SIZE		INFLATION PRESSURE (KPA)	MAXIMUM LOAD /KG		VALVE VALVE MODEL
				OUTER DIAMETER (MM)	SECTION WIDTH (MM)		10KM/H		
10-16.5NHS	8	TL	8.25	773	264	410	1880	TR15CW	
	10	TL				520	2135		
12-16.5NHS	10	TL	9.75	831	307	450	2540	TR15CW	
	12	TL				550	2865		
14-17.5NHS	16	TL	10.50	921	349	620	4125	TR15CW	
15-19.5NHS	16	TL	11.75	1019	389	550	4875	TR15CW	



L-2D

## L-2E TIRE SPECIFICATIONS AND TECHNICAL PARAMETERS

(Economy tires for skid steer loaders, haulers, rough terrain forklifts, aerial work platforms)

NORM	LEVEL	TYPOLOGY	WASHBASINS	NEW TIRE INFLATION SIZE		INFLATION PRESSURE (KPA)	MAXIMUM LOAD /KG		VALVE VALVE MODEL
				OUTER DIAMETER (MM)	SECTION WIDTH (MM)		10KM/H		
5.70-12NHS	6	TL	4.50-I-70	570	146	520	750	TR13	
	8					620	835		
10-16.5NHS	10	TL	8.25	773	264	520	2135	TR15CW	
12-16.5NHS	14	TL	9.75	831	307	620	3075	TR15CW	
14-17.5NHS	14	TL	10.50	921	349	550	3875	TR15CW	
	16					620	4125		
15-19.5NHS	14	TL	11.75	1019	389	480	4625	TR15CW	
	16					550	4875		
33x15.50-16.5	12	TL	13.00	838	394	420	3630	-	
385/65-22.5	12	TL	11.75	1095	389	480	4375	-	



L-2E





## L-4A TIRE SPECIFICATIONS AND TECHNICAL PARAMETERS

(Extra-deep tread, steel wire anti-puncture ply forestry tractor enhanced tire)



NORM	LEVEL	TYPOLOGY	WASHBASINS	NEW TIRE INFLATION SIZE		INFLATION PRESSURE (KPA)	MAXIMUM LOAD /KG		VALVE VALVE MODEL
				OUTER DIAMETER (MM)	SECTION WIDTH (MM)		10KM/H	50KM/H	
10-16.5NHS	10	TL	8.25	773	264	520	2135		TR15CW
	12	TL					2375		
12-16.5NHS	12	TL	9.75	831	307	550	2865		TR15CW
	14	TL					3075		
10-16.5NHS (钢丝防刺扎)	10	TL	8.25	773	264	520	2135		TR15CW
	12	TL					2375		
12-16.5NHS (钢丝防刺扎)	12	TL	9.75	831	307	550	2865		TR15CW
	14	TL					3075		
14-17.5NHS	14	TL	10.50	921	349	550	3875		TR15CW
	16	TL					4125		
15-19.5NHS	14	TL	11.75	1019	389	480	4625		TR15CW
14-17.5NHS (钢丝防刺扎)	16	TL	10.50	921	349	620	4125		TR15CW
15-19.5NHS (钢丝防刺扎)	14	TL	11.75	1019	389	480	4625		TR15CW

## I-3F TIRE SPECIFICATIONS AND TECHNICAL PARAMETERS

(Small Rough Terrain Forklift Tires)



NORM	LEVEL	TYPOLOGY	WASHBASINS	NEW TIRE INFLATION SIZE		INFLATION PRESSURE (KPA)	MAXIMUM LOAD /KG		VALVE VALVE MODEL
				OUTER DIAMETER (MM)	SECTION WIDTH (MM)		25KM/H		
							DRIVING WHEEL	STEERING WHEEL	
10.0/75-15.3	14	TL	9.00	780	264	550	2840	2400	/
11.5/80-15.3	14	TL	9.00	867	290	475	3500	2955	/

## L-5C TIRE SPECIFICATIONS AND TECHNICAL PARAMETERS

(Extra deep tread, semi-solid tires, preferred for small loaders)



NORM	LEVEL	TYPOLOGY	WASHBASINS	NEW TIRE INFLATION SIZE		INFLATION PRESSURE (KPA)		MAXIMUM LOAD /KG		VALVE VALVE MODEL
				OUTER DIAMETER (MM)	SECTION WIDTH (MM)	10KM/H	50KM/H	10KM/H	50KM/H	
20.5/70-16	20	TT	10.00F	870	320	—	430	—	1850	—
16/70-20 (405/70-20)	20	TT	13(SDC)	1030	375	550	450	5600	3350	—





## E-3Y TIRE SPECIFICATIONS AND TECHNICAL PARAMETERS

(Construction machinery tires, special tires for small loaders)

NORM	LEVEL	TYPOLOGY	WASHBASINS	NEW TIRE INFLATION SIZE		INFLATION PRESSURE (KPA)		MAXIMUM LOAD /KG		VALVE VALVE MODEL
				OUTER DIAMETER (MM)	SECTION WIDTH (MM)	10KM/H	50KM/H	10KM/H	50KM/H	
20.5/70-16	14	TT	10.00F	890	320	—	280	—	1600	—



E-3Y

## E-3Y+ TIRE SPECIFICATIONS AND TECHNICAL PARAMETERS

(Construction machinery tires, special tires for small loaders)

NORM	LEVEL	TYPOLOGY	WASHBASINS	NEW TIRE INFLATION SIZE		INFLATION PRESSURE (KPA)		MAXIMUM LOAD /KG		VALVE VALVE MODEL
				OUTER DIAMETER (MM)	SECTION WIDTH (MM)	10KM/H	50KM/H	10KM/H	50KM/H	
20.5/70-16	14	TT	10.00F	925	340	—	280	—	1600	—
16/70-20 (405/70-20)	14	TT	13(SDC)	1075	410	450	350	5150	2900	—
16/70-24 (405/70-24)	14	TT	13(SDC)	1175	410	450	350	5600	3350	—



E-3Y+

## E-3 / L-3 TIRE SPECIFICATIONS AND TECHNICAL PARAMETERS

(Light construction machinery tires)

NORM	LEVEL	TYPOLOGY	WASHBASINS	NEW TIRE INFLATION SIZE		INFLATION PRESSURE (KPA)	MAXIMUM LOAD /KG	VALVE VALVE MODEL
				OUTER DIAMETER (MM)	SECTION WIDTH (MM)			
7.50-16	10	TT	6.00G	810	215	420	920	Z1-01-3
8.25-16	10	TT	6.50H	855	235	350	1065	Z1-01-4
12.00-16	14	TT	6.50H	890	255	420	1540	Z1-01-4
14.00/90-16	14	TT	6.50H	890	280	350	2760	Z1-01-4
20.5/70-16	14	TT	10.00F	950	350	280	1600	Z1-01-4
16/70-20	14	TT	13(SDC)	1075	410	350	2900	—



E-3

## E-2E TIRE SPECIFICATIONS AND TECHNICAL PARAMETERS

(Special tires for wheel loaders)

NORM	LEVEL	TYPOLOGY	WASHBASINS	NEW TIRE INFLATION SIZE		INFLATION PRESSURE (KPA)	MAXIMUM LOAD /KG	VALVE VALVE MODEL
				OUTER DIAMETER (MM)	SECTION WIDTH (MM)			
10.00-20	16	TT	7.5	1055	278	750	3000	Z1-01-7



E-2E





## E-2M/E-2B TIRE SPECIFICATIONS AND TECHNICAL PARAMETERS

(Special tires for wheel loaders)

NORM	LEVEL	TYPOLOGY	WASHBASINS	NEW TIRE INFLATION SIZE		INFLATION PRESSURE (KPA)	MAXIMUM LOAD /KG		VALVE VALVE MODEL
				OUTER DIAMETER (MM)	SECTION WIDTH (MM)		50KM/H		
9.00-20	16	TT	7.0	1018	259	810	2750		Z1-01-6
8.25-20	14	TT	6.5	995	235	740	2150		Z1-01-7



E-2M



E-2K

## E-2K TIRE SPECIFICATIONS AND TECHNICAL PARAMETERS

(Small wheeled utility excavator tires)

NORM	LEVEL	TYPOLOGY	WASHBASINS	NEW TIRE INFLATION SIZE		INFLATION PRESSURE (KPA)	MAXIMUM LOAD /KG		VALVE VALVE MODEL
				OUTER DIAMETER (MM)	SECTION WIDTH (MM)		50KM/H		
							SINGLE TIRE	DUAL TIRE	
8.25-16	16	TT	6.50H	855	235	730	1800	1600	Z1-01-4
9.00-16	16	TT	6.50H	890	255	730	2120	1850	Z1-01-4

## E-2N TIRE SPECIFICATIONS AND TECHNICAL PARAMETERS

(Small wheeled utility excavator tires)

NORM	LEVEL	TYPOLOGY	WASHBASINS	NEW TIRE INFLATION SIZE		INFLATION PRESSURE (KPA)	MAXIMUM LOAD /KG		VALVE VALVE MODEL
				OUTER DIAMETER (MM)	SECTION WIDTH (MM)		50KM/H		
							SINGLE TIRE	DUAL TIRE	
8.25-16	14	TT	6.50H	840	225	630	1700	1500	Z1-01-4



E-2N



E-2Y+

## E-2Y+ TIRE SPECIFICATIONS AND TECHNICAL PARAMETERS

(Small wheeled utility excavator tires)

NORM	LEVEL	TYPOLOGY	WASHBASINS	NEW TIRE INFLATION SIZE		INFLATION PRESSURE (KPA)	MAXIMUM LOAD /KG		VALVE VALVE MODEL	
				OUTER DIAMETER (MM)	SECTION WIDTH (MM)		50KM/H			
							SINGLE TIRE	DUAL TIRE		
8.25-16	16	TT	6.50H	840	225	730	1800	1600	Z1-01-4	
8.25-20	18	TT	6.50	974	236	1000	920	2575	2300	Z1-01-5





## IND-3J TIRE SPECIFICATIONS AND TECHNICAL PARAMETERS

(7.5-16 tons for large tonnage forklifts)

NORM	LEVEL	TYPOLOGY	WASHBASINS	NEW TIRE INFLATION SIZE		INFLATION PRESSURE (KPA)	MAXIMUM TIRE LOAD AT DIFFERENT TOP SPEEDS /KG								VALVE VALVE MODEL
				OUTER DIAMETER (MM)	SECTION WIDTH (MM)		COUNTERBALANCED FORKLIFT TRUCKS				OTHER INDUSTRIAL VEHICLES				
							25KM/H		35KM/H		10KM/H	25KM/H	40KM/H	50KM/H	
							DRIVING WHEEL	STEERING WHEEL	DRIVING WHEEL	STEERING WHEEL					
8.25-20NHS	14	TT	6.5	974	235	830	4575	3865	4250	3395	3865	2845	2540	2440	Z1-01-5
9.00-20NHS	14	TT	7.0	1018	259	760	5195	4385	4825	3855	4385	3230	2885	2770	Z1-01-6
	16	TT				860	5595	4725	5200	4155	4725	3480	3110	2985	
10.00-20NHS	16	TT	7.5	1055	278	790	6030	5090	5600	4475	5090	3750	3350	3215	Z1-01-7
11.00-20NHS	16	TT	8.0	1085	293	760	6405	5405	5945	4750	5405	3985	3555	3415	Z1-01-8
12.00-20NHS	18	TT	8.5	1125	315	790	/	/	/	/	6335	4670	4170	4000	Z1-01-8
	20	TT				900	7400	6325	6905	5615	6325	4785	4325	4170	



IND-3J

## E-4J TIRE SPECIFICATIONS AND TECHNICAL PARAMETERS

(Special for front crane, stacker, heavy forklift over 16 tons)

NORM	LEVEL	TYPOLOGY	WASHBASINS	NEW TIRE INFLATION SIZE		INFLATION PRESSURE (KPA)	MAXIMUM LOAD /KG
				OUTER DIAMETER (MM)	SECTION WIDTH (MM)		
12.00-24	20	TT	8.5	1275	315	825	6900
14.00-24	24	TT/TL	10.0	1420	375	850	9500
	28	TT/TL				925	10000
16.00-25	36	TT/TL	11.25/2.0	1550	430	975	13600
18.00-25	40	TT/TL	13.00/2.5	1675	500	950	17000



E-4J

## L589A TIRE SPECIFICATIONS AND TECHNICAL PARAMETERS

NORM	LEVEL	TYPOLOGY	WASHBASINS	NEW TIRE INFLATION SIZE		INFLATION PRESSURE (KPA)	MAXIMUM TIRE LOAD AT DIFFERENT TOP SPEEDS /KG								VALVE VALVE MODEL
				OUTER DIAMETER (MM)	SECTION WIDTH (MM)		COUNTERBALANCED FORKLIFT TRUCKS				OTHER INDUSTRIAL VEHICLES				
							25KM/H		35KM/H		10KM/H	25KM/H	40KM/H	50KM/H	
							DRIVING WHEEL	STEERING WHEEL	DRIVING WHEEL	STEERING WHEEL					
8.25-20NHS	14	TT	6.5	974	235	830	4575	3865	4250	3395	3865	2845	2540	2440	Z1-01-5
9.00-20NHS	14	TT	7.0	1018	259	760	5195	4385	4825	3855	4385	3230	2885	2770	Z1-01-6



L589A







## I-3D TIRE SPECIFICATIONS AND TECHNICAL PARAMETERS

(All-terrain vehicle tires)

NORM	LEVEL	TYPOLOGY	WASHBASINS	NEW TIRE INFLATION SIZE		INFLATION PRESSURE (KPA)	MAXIMUM LOAD /KG	MAXIMUM SPEED KM/H
				OUTER DIAMETER (MM)	SECTION WIDTH (MM)			
AT27 x 12.00-14	8	TL	9.5AT	700	292	45	450	90
AT355/50D14	10	TL	11.5AT	710	355	70	710	90



I-3D



I-3D+

## I-3D+ TIRE SPECIFICATIONS AND TECHNICAL PARAMETERS

(Tires for small skid steer and forklift trucks)

NORM	LEVEL	TYPOLOGY	WASHBASINS	NEW TIRE INFLATION SIZE		INFLATION PRESSURE (KPA)	LOAD CAPACITY /KG	SPEED SYMBOL
				OUTER DIAMETER (MM)	SECTION WIDTH (MM)			
26x12.00-12NHS	8	TL	10.5	648	307	340	1370	A2

## I-3K TIRE SPECIFICATIONS AND TECHNICAL PARAMETERS

(All-terrain vehicle tires)

NORM	LEVEL	TYPOLOGY	WASHBASINS	NEW TIRE INFLATION SIZE		INFLATION PRESSURE (KPA)	MAXIMUM LOAD /KG	MAXIMUM SPEED KM/H
				OUTER DIAMETER (MM)	SECTION WIDTH (MM)			
AT295/60D14	8	TL	9.5AT	710	295	100	690	90



I-3K



SM

## SM TIRE SPECIFICATIONS AND TECHNICAL PARAMETERS

(Tires for utility vehicles and grass and garden tractors)

NORM	LEVEL	TYPOLOGY	WASHBASINS	NEW TIRE INFLATION SIZE		INFLATION PRESSURE (KPA)	MAXIMUM LOAD /KG	VALVE VALVE MODEL
				OUTER DIAMETER (MM)	SECTION WIDTH (MM)			
13 x 5.00-6NHS	4	TL	3.50	320	122	280	200	TR13

## RIB TIRE SPECIFICATIONS AND TECHNICAL PARAMETERS

(Tires for utility vehicles and grass and garden tractors)

NORM	LEVEL	TYPOLOGY	WASHBASINS	NEW TIRE INFLATION SIZE		INFLATION PRESSURE (KPA)	MAXIMUM LOAD /KG	VALVE VALVE MODEL
				OUTER DIAMETER (MM)	SECTION WIDTH (MM)			
15 x 6.00-6NHS	4	TL	4.50	366	155	210	257	TR13



RIB





## WB939 TIRE SPECIFICATIONS AND TECHNICAL PARAMETERS

(Tires for utility vehicles and grass and garden tractors)

NORM	LEVEL	TYPOLOGY	WASHBASINS	NEW TIRE INFLATION SIZE		INFLATION PRESSURE (KPA)	MAXIMUM LOAD /KG 15KM/H	VALVE VALVE MODEL
				OUTER DIAMETER (MM)	SECTION WIDTH (MM)			
4.80 /4.00-8NHS	4	TL	3.75	423	121	280	300	TR13



## WB949 TIRE SPECIFICATIONS AND TECHNICAL PARAMETERS

(Tires for utility vehicles and grass and garden tractors)

NORM	LEVEL	TYPOLOGY	WASHBASINS	NEW TIRE INFLATION SIZE		INFLATION PRESSURE (KPA)	MAXIMUM LOAD /KG 15KM/H	VALVE VALVE MODEL
				OUTER DIAMETER (MM)	SECTION WIDTH (MM)			
4.80 /4.00-8NHS	4	TL	3.75	423	121	280	300	TR13



## TF919 TIRE SPECIFICATIONS AND TECHNICAL PARAMETERS

(Tires for utility vehicles and grass and garden tractors)

NORM	LEVEL	TYPOLOGY	WASHBASINS	NEW TIRE INFLATION SIZE		INFLATION PRESSURE (KPA)	MAXIMUM LOAD /KG 15KM/H	VALVE VALVE MODEL
				OUTER DIAMETER (MM)	SECTION WIDTH (MM)			
13 x 5.00-8NHS	4	TL	3.50	320	122	280	200	TR13
15 x 6.00-8NHS	4	TL	4.50	366	155	210	257	TR13
16 x 6.50-8NHS	4	TL	5.375	406	165	190	280	TR13
18 x 8.50-8NHS	4	TL	7.00	450	213	150	375	TR13
18 x 9.50-8NHS	4	TL	7.00	462	235	140	425	TR13
20 x 8.00-8NHS	4	TL	6.50	508	204	150	437	TR13
20 x 10.00-8NHS	4	TL	8.00	508	254	150	545	TR13
23 x 10.50-12NHS	4	TL	8.50	579	264	140	600	TR13
24 x 12.00-12NHS	4	TL	9.50	610	304	140	775	TR13



## GF929 TIRE SPECIFICATIONS AND TECHNICAL PARAMETERS

(Tires for golf carts and sightseeing cars and utility vehicles)

NORM	LEVEL	TYPOLOGY	WASHBASINS	NEW TIRE INFLATION SIZE		INFLATION PRESSURE (KPA)	MAXIMUM LOAD /KG 15KM/H	VALVE VALVE MODEL
				OUTER DIAMETER (MM)	SECTION WIDTH (MM)			
18 x 8.50-8NHS	4	TL	7.00	450	213	150	375	TR13





# LB-033 TIRE SPECIFICATIONS AND TECHNICAL PARAMETERS

(Superior grip for a wide range of applications)

NORM	LEVEL	TYPOLOGY	WASHBASINS	NEW TIRE INFLATION SIZE		INFLATION PRESSURE (KPA)	MAXIMUM TIRE LOAD AT DIFFERENT TOP SPEEDS /KG								VALVE VALVE MODEL
				OUTER DIAMETER (MM)	SECTION WIDTH (MM)		COUNTERBALANCED FORKLIFT TRUCKS				OTHER INDUSTRIAL VEHICLES				
							25KM/H		35KM/H		10KM/H	25KM/H	40KM/H	50KM/H	
							DRIVING WHEEL	STEERING WHEEL	DRIVING WHEEL	STEERING WHEEL					
4.00-8NHS	8	TT	3.00D	415	112	930	745	630	695	555	630	465	415	400	Z1-05-1
	10*	TT				1000	950	730	915	675	950	730	650	615	
5.00-8NHS	8	TT	3.50D	470	137	790	1000	845	930	745	845	625	555	535	Z1-01-1
	10	TT				1000	1150	970	1065	850	-	-	-	-	
6.00-9NHS	10	TT	4.00E	540	160	860	1505	1275	1400	1120	1275	940	835	805	Z1-01-1
	12	TT				1030	1675	1415	1560	1245	1415	1045	930	895	
6.50-10NHS	10	TT	5.00F	590	175	790	1655	1400	1540	1230	1400	1030	920	885	Z1-01-1
	12	TT				1000	1895	1600	1765	1410	-	-	-	-	
	14*	TT				1000	2340	1800	2250	1665	2340	1800	1605	1515	
7.00-9NHS	10	TT	5.00S	590	190	860	1995	1685	1850	1480	1685	1240	1105	1065	Z1-01-1
7.00-12NHS	12	TT	5.00S	676	190	860	2375	2005	2205	1765	2005	1480	1320	1265	Z1-01-1
	14	TT				1000	2590	2190	2405	1925	2190	1610	1440	1380	
7.00-15NHS	10	TT	5.5	750	200	720	2590	2185	2405	1925	2185	1610	1440	1380	Z1-01-3
	12	TT				860	2870	2420	2665	2130	2420	1785	1595	1530	
	14	TT				1000	3140	2655	2920	2330	2655	1955	1745	1675	
7.50-10NHS	12	TT	5.50F	645	205	830	2350	1985	2180	1745	1985	1460	1305	1255	Z1-01-1
7.50-15NHS	10	TT	6.0	780	215	660	2750	2325	2555	2040	2325	1710	1530	1470	Z1-01-3
	12	TT				790	3075	2680	2860	2285	2680	1915	1710	1640	
	14	TT				925	3375	2840	3150	2485	2840	2095	1870	1795	
8.25-15NHS	12	TT	6.5	840	235	720	3490	2945	3240	2590	2945	2170	1940	1860	Z1-01-5
	14	TT				830	3775	3185	3505	2800	3185	2350	2095	2010	
	16	TT				925	4050	3450	3600	3010	3450	2520	2250	2160	
	18	TT				1000	4240	3600	3770	3150	3600	2640	2355	2260	
18x7-8NHS	14	TT	4.33R	465	173	970	1505	1270	1400	1120	-	-	-	JS1	
	16	TT				1000	1695	1450	1640	1260	1450	1055	940		905
21x8-9NHS	14	TT	6.00E	535	200	1000	2040	1725	1895	1515	1725	1270	1135	1090	Z1-01-4
	16*	TT				1000	2755	2120	2650	1960	2755	2120	1885	1780	
23x9-10NHS	12	TT	6.50F	595	225	760	2345	1980	2175	1740	1980	1460	1300	1250	Z1-01-4
	14	TT				900	2585	2185	2405	1920	2185	1610	1435	1380	
	16	TT				1030	2810	2370	2610	2085	2370	1750	1560	1500	
	18*	TT				900	3160	2430	3040	2250	3160	2430	2165	2040	
27x10-12NHS	14	TT	8.00G	690	255	860	3285	2775	3050	2440	2775	2045	1825	1750	Z1-01-5
	16	TT				1000	3585	3030	3330	2665	3030	2230	1995	1915	
28x9-15NHS	12	TT	7.0	710	220	830	2790	2355	2590	2070	2355	1735	1550	1485	Z1-01-5
	14	TT				970	3050	2575	2835	2265	2575	1900	1695	1625	
	16	TT				1000	3115	2630	2895	2310	2630	1940	1730	1660	
250-15NHS	16	TT	7.5	735	250	930	3865	3265	3500	2870	3265	2405	2145	2060	Z1-01-7
	18	TT				1030	4110	3470	3820	3050	3470	2555	2285	2190	
300-15NHS	18	TT	8.0	840	300	830	5530	4870	5135	4105	4870	3440	3070	2950	Z1-01-7
	20	TT				930	5940	4990	5485	4375	4990	3675	3290	3155	





## OB-501 TIRE SPECIFICATIONS AND TECHNICAL PARAMETERS

(Industrial vehicle and mining tires operating on non-level ground and runways)

NORM	LEVEL	TYPOLOGY	WASHBASINS	NEW TIRE INFLATION SIZE		INFLATION PRESSURE (KPA)	MAXIMUM LOAD /KG		VALVE VALVE MODEL
				OUTER DIAMETER (MM)	SECTION WIDTH (MM)		15KM/H	25KM/H	
5.00-8NHS	10	TT	3.00D	469	131	970	795		Z1-01-1
6.00-9NHS	10	TT	4.00E	545	160	860	1010		Z1-01-1
6.50-10NHS	10	TT	5.00F	597	178	830	1150		Z1-01-1
7.00-12NHS	12	TT	5.00S	683	192	860	1630		Z1-01-1
7.00-15NHS	12	TT	5.5	730	200	860	1870		Z1-01-3
7.50-15NHS	14	TT	6.0	808	215	970	2275		Z1-01-3
8.25-15NHS	14	TT	6.5	847	236	830	2555		Z1-01-5
9.00-20NHS	14	TT	7.0	1038	259	800	-	5300	Z1-01-6
10.00-20NHS	16	TT	7.5	1073	278	800	-	6150	Z1-01-7
	900					-	6500		
	1000					-	6900		
15x7-8NHS	14	TT	4.33R	370	178	900	1060		TR87
16x6-8NHS	14	TT	4.33R	401	152	900	1060		Z1-01-1
18x7-8NHS	16	TT	4.33R	465	168	1000	1035		JS1
21x8-9NHS	16	TT	6.00E	533	203	1030	1545		Z1-01-4
23x9-10NHS	16	TT	6.50F	584	229	1030	1825		Z1-01-4
27x10-12NHS	14	TT	8.00G	682	254	830	2110		Z1-01-5
28x9-15NHS	14	TT	7.0	706	221	970	2050		Z1-01-5
250-15NHS	16	TT	7.5	735	250	930	2575		Z1-01-7
300/75-15NHS	18	TT	8.0	840	300	790	3765		Z1-01-7
355/65-15NHS	24	TT	9.75	843	354	1000	7200		Z1-01-7
28x12.5-15NHS	24	TT	9.75	711	304	1000	2600		Z1-01-3
32x12.1-15NHS	24	TT	9.75	825	304	1030	3355		Z1-01-3
27x15-10NHS	24	TT	13.00B	686	381	1030	3040		TR440



## MB-242 TIRE SPECIFICATIONS AND TECHNICAL PARAMETERS

(Industrial vehicle and mining tires operating on non-level ground and runways)

NORM	LEVEL	TYPOLOGY	WASHBASINS	NEW TIRE INFLATION SIZE		INFLATION PRESSURE (KPA)	MAXIMUM LOAD /KG		VALVE VALVE MODEL
				OUTER DIAMETER (MM)	SECTION WIDTH (MM)		15KM/H	25KM/H	
5.00x8NHS	8	TT	3.00D	469	131	790	655	Z1-01-1	
	10	TT				970	795		
6.00x9NHS	10	TT	4.00E	545	160	860	1010	Z1-01-1	
6.50x10NHS	10	TT	5.00F	597	178	790	1150	Z1-01-1	
	12	TT				970	1290		
7.00x12NHS	12	TT	5.00S	683	192	860	1630	Z1-01-1	
	14	TT				1000	1780		
7.00x15NHS	12	TT	5.5	731	199	860	1870	Z1-01-3	
	14	TT				1000	2040		
7.50x15NHS	12	TT	6.0	808	215	790	2090	Z1-01-3	
	14	TT				970	2275		
8.15x15NHS	12	TT	7.0	706	221	830	1870	Z1-01-5	
	14	TT				970	2050		
8.25x15NHS	12	TT	6.5	847	236	720	2360	Z1-01-5	
	14	TT				830	2555		





**E256**

### E256 TIRE SPECIFICATIONS AND TECHNICAL PARAMETERS

(Construction vehicles, snow tires)

NORM	LEVEL	TYPOLOGY	WASHBASINS	NEW TIRE INFLATION SIZE		INFLATION PRESSURE (KPA)	MAXIMUM LOAD /KG	VALVE VALVE MODEL
				OUTER DIAMETER (MM)	SECTION WIDTH (MM)			
12.5/70-16	8	TL	10.00	848	316	260	1645	TR415
15.5/60-18	8	TL	13.00	937	404	220	2195	—

### L2G TIRE SPECIFICATIONS AND TECHNICAL PARAMETERS

(Construction vehicle tires)

NORM	LEVEL	TYPOLOGY	WASHBASINS	NEW TIRE INFLATION SIZE		INFLATION PRESSURE (KPA)	MAXIMUM LOAD /KG	VALVE VALVE MODEL
				OUTER DIAMETER (MM)	SECTION WIDTH (MM)			
12.5/70-16	8	TL	10.00	848	316	260	1645	TR415
15.5/60-18	8	TL	13.00	937	404	220	2195	—
17.5/65-20	10	TL	14.00	1094	448	240	3195	—



**L2G**



**C-1**

### C-1 TIRE SPECIFICATIONS AND TECHNICAL PARAMETERS

(Roller operating tires)

NORM	LEVEL	TYPOLOGY	WASHBASINS	NEW TIRE INFLATION SIZE		INFLATION PRESSURE (KPA)	MAXIMUM LOAD /KG	VALVE VALVE MODEL
				OUTER DIAMETER (MM)	SECTION WIDTH (MM)			
7.50-15	14	TT	6.00	785	215	875	2900	Z1-01-3
7.50-16	14	TT	6.00	810	215	930	3100	Z1-01-3
9.00-20	12	TT	7.00	1016	259	625	4000	Z1-01-6
	14					725	4375	Z1-01-6
	16					825	4750	Z1-01-6
9.5/65-15	6	TT/TL	7.00	673	235	325	1315	—
10.5/80-16	6	TT/TL	8.00	812	263	300	1875	TR15
205/60-15	6	TL	7.00	640	215	325	985	—

### IND-3J TIRE SPECIFICATIONS AND TECHNICAL PARAMETERS

(SPMT tires)

NORM	LEVEL	TYPOLOGY	WASHBASINS	NEW TIRE INFLATION SIZE		INFLATION PRESSURE (KPA)	MAXIMUM LOAD /KG	
				OUTER DIAMETER (MM)	SECTION WIDTH (MM)		0-1KM/H	5KM/H
355/65-15NHS	26	TL/TT	9.75	848	316	1200	12000	10000



**IND-3J**





**I-3D**

### I-3D TIRE SPECIFICATIONS AND TECHNICAL PARAMETERS

(Highly passable tires for industrial, agricultural, forestry and engineering operations)

NORM	LEVEL	TYPOLOGY	WASHBASINS	NEW TIRE INFLATION SIZE		INFLATION PRESSURE (KPA)	MAXIMUM LOAD /KG	MAXIMUM SPEED KM/H
				OUTER DIAMETER (MM)	SECTION WIDTH (MM)			
26 × 12.00-12NHS	10	TL	10_50-I-70	648	307	450	1630	10
31 × 15.50-15NHS	12	TL	13LB	792	391	520	1680	30

### L-5 TIRE SPECIFICATIONS AND TECHNICAL PARAMETERS

(Forestry tractor tires with extra-deep tread and steel wire anti-puncture ply)

NORM	LEVEL	TYPOLOGY	WASHBASINS	NEW TIRE INFLATION SIZE		INFLATION PRESSURE (KPA)	MAXIMUM LOAD /KG	VALVE VALVE MODEL
				OUTER DIAMETER (MM)	SECTION WIDTH (MM)			
32 × 11-16_5NHS ( 钢丝防刺扎 )	10	TL	8_25	810	297	410	2420	TR416



**L-5**



**L-6A**

### L-6A TIRE SPECIFICATIONS AND TECHNICAL PARAMETERS

(Grass tire)

NORM	LEVEL	TYPOLOGY	WASHBASINS	NEW TIRE INFLATION SIZE		INFLATION PRESSURE (KPA)	MAXIMUM LOAD /KG	VALVE VALVE MODEL
				OUTER DIAMETER (MM)	SECTION WIDTH (MM)			
33 × 12-16.5NHS	6	TL	9_75	831	307	280	1915	TR15CW

### L-2H TIRE SPECIFICATIONS AND TECHNICAL PARAMETERS

NORM	LEVEL	TYPOLOGY	WASHBASINS	NEW TIRE INFLATION SIZE		INFLATION PRESSURE (KPA)	MAXIMUM LOAD /KG	VALVE VALVE MODEL
				OUTER DIAMETER (MM)	SECTION WIDTH (MM)			
23 × 8.50-12NHS	6	TL	7_00-I-70	574	213	340	820	TR13CW
28 × 9-15NHS	6	TL	7_0	706	221	400	1100	TR13CW
10-16.5NHS	6	TL	8_25	773	264	310	1590	TR15CW



**L-2H**



**MB413**

### MB413 TIRE SPECIFICATIONS AND TECHNICAL PARAMETERS

(Aerial working platform special tires)

NORM	LEVEL	TYPOLOGY	WASHBASINS	NEW TIRE INFLATION SIZE		INFLATION PRESSURE (KPA)	MAXIMUM LOAD (KG)	LOAD INDEX	SPEED GRADE	MAXIMUM SPEED (KM/H)
				OUTER DIAMETER (MM)	SECTION WIDTH (MM)					
9-14.5NHS	12	TL	7_00	719	246	700	2800	144	A2	10



## ALL-STEEL RADIAL INDUSTRIAL VEHICLE TIRES

All-steel radial industrial vehicle tyres are for low-speed, high-load industrial vehicles, with long service life, high safety factor, high wear resistance, tear resistance, fatigue resistance and other characteristics. Tires widely used in various industrial vehicles with reasonable structure design and beautiful appearance.

- Wide, deep and robust tread design
- Excellent all steel elastic casing
- High turn-up and unique reinforced sidewall
- Excellent traction, stability and handling safety
- Excellent tread compound with all steel belts provide outstanding wear resistance and longer service life.



ALL-STEEL RADIAL INDUSTRIAL VEHICLE TIRE CROSS-SECTION DRAWING



## GLR07 TIRE SPECIFICATIONS AND TECHNICAL PARAMETERS

(All-steel radial-deepened block pattern, special tires for forklifts)



NORM	ASTERISK/TIER	TYPOLOGY	MEASURING RIMS	NEW TIRE INFLATION SIZE		INFLATION PRESSURE (KPA)	LOAD CAPACITY (KG)	LOAD INDEX	SPEED GRADE
				OUTER DIAMETER (MM)	SECTION WIDTH (MM)				
5.00R8NHS	10PR	TL	3.00	460	135	1000	1090	111	A5
6.00R9NHS	12PR	TL	4.00	525	160	1000	1450	121	A5
6.50R10NHS	12PR	TL	5.00	570	180	1000	1800	128	A5
7.00R12NHS	14PR	TL	5.00S	660	191	1000	2240	136	A5
6.50R15NHS	14PR	TL	5.5	722	180	1000	2360	138	A5
7.00R15NHS	14PR	TL	5.5	730	195	1000	2500	140	A5
7.50R15NHS	16PR	TL	6.00G	765	210	1000	3000	146	A5
7.50R16NHS	16PR	TL	6.00	808	215	1000	3150	148	A5
8.25R15NHS	16PR	TL	6.50	830	230	1000	3650	153	A5
225/75R15NHS (8.15R15NHS)	16PR	TL	7.00	705	224	1000	3250	149	A5
28x9R15	16PR	TL	7.00	705	224	1000	3250	149	A5
315/70R15NHS	16PR	TL	8.00	830	308	1000	5150	165	A5



## GLR52 TIRE SPECIFICATIONS AND TECHNICAL PARAMETERS

(All-steel radial - loader, airport trailer tires)

NORM	ASTERISK/TIER	TYPOLOGY	MEASURING RIMS	NEW TIRE INFLATION SIZE		INFLATION PRESSURE (KPA)	LOAD CAPACITY (KG)	LOAD INDEX	SPEED GRADE
				OUTER DIAMETER (MM)	SECTION WIDTH (MM)				
180/70R8NHS	16	TT/TL	4.33	460	175	1000	1650	125	A5







# PNEUMATIC TIRES RIMS SOLID TIRES

- Good puncture and wear resistance.
- Low rolling resistance and energy saving.
- Low heat build up and long operating life.
- Highly resilient tire body and good riding comfort.
- Low center of gravity and good riding safety.
- Tight fitting of tire with rim.

The British technology is used for all listed tire sizes and the products' features and characters conform with Chinese GB, American TRA, European ETRTO and Japanese JATMA standards.

The company can develop and manufacture the standard tire sizes which are not listed, non marking white(colored) solid tires and non standard tire sizes according to customers' specific requirements.

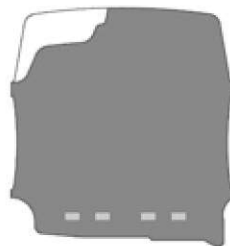
The solid tire is one of low speeding and high loading industrial tires and characterized by its long operating life, good riding safety and wear, puncture and fatigue resistance and maintenance free property. Solid tires are widely used for various industrial vehicles, engineering machineries and the tows and trailers operating in harbors, airports, railway stations, factories, minings and various loading and unloading places.



**SOLID TIRE  
CROSS-SECTION**



Standard



Easi-Fit





## OB502 TIRE SPECIFICATIONS AND TECHNICAL PARAMETERS

(Extra deep block pattern, rim protection, essential for internal combustion forklifts)

NORM	WASHBASINS	NEW TIRE SIZE /MM		MAXIMUM TIRE LOAD AT DIFFERENT TOP SPEEDS /KG				
				COUNTERBALANCED FORKLIFT TRUCKS		OTHER INDUSTRIAL VEHICLES		
				OUTER DIAMETER	SECTION WIDTH	25KM/H		6KM/H
DRIVING WHEEL	STEERING WHEEL							
5.00-8/3.00	3.00D-8	454	124	1415	1090	1415	1285	1090
5.00-8/3.50	3.50D-8							
6.00-9/4.00	4.00E-9	532	145	1885	1450	1885	1710	1450
6.50-10/5.00	5.00F-10	578	165	2340	1800	2340	2125	1800
7.00-12/5.00	5.00S-12	655	168	2920	2240	2920	2645	2240
6.00-15/4.50	4.50E-15	690	158	2370	1820	2370	2145	1820
7.00-15/5.50	5.5-15	725	188	3545	2725	3545	3215	2725
7.50-15/5.50	5.5-15	746	204	3900	3000	3900	3540	3000
7.50-15/6.50	6.5-15							
8.25-12/5.00	5.00S-12	719	202	3360	2585	3360	3050	2585
8.25-15/6.50	6.5-15	814	208	4750	3650	4750	4300	3650
7.50-16/6.00	6.00G-16	790	200	3965	3050	3965	3600	3050
7.50-16/6.50	6.50H-16							
9.00-16/6.50	6.50H-16	870	220	4355	3350	4355	3955	3350
9.00-20/7.0	7.0-20	1009	247	5400	4500	5850	4905	4500
15x4.5-8/3.00	3.00D-8	380	114	1040	800	1040	945	800
16x6-8/4.33	4.33R-8	417	161	1495	1150	1495	1360	1150
18x7-8/4.33	4.33R-8	456	156	2145	1650	2145	1945	1650
21x8-9/6.00	6.00E-9	530	182	2755	2120	2755	2500	2120
23x9-10/6.50	6.50F-10	590	195	3445	2650	3445	3125	2650
23x10-12/8.00	8.00G-12	587	239	3770	2900	3770	3420	2900
27x10-12/8.00	8.00G-12	675	235	3900	3000	3900	3540	3000
28x9-15/7.0	7.0-15	698	220	3900	3000	3900	3540	3000
250-15/7.0	7.0-15	725	230	4745	3650	4745	4310	3650
250-15/7.5	7.5-15							
300-15/8.0	8.0-15	825	259	5850	4500	5850	5310	4500
200/50-10/6.50	6.50F-10	458	196	2470	1900	2470	2240	1900
315/45-12/10.00	10.00G-12	576	285	4485	3450	4485	4070	3450
355/65-15/9.75	9.75-15	842	311	7800	6000	7085	6430	5450
355/50-20/10.0	10.0-20	843	323	8970	6900	8970	8140	6900



## L077 TIRE SPECIFICATIONS AND TECHNICAL PARAMETERS

(Extra deep block pattern, rim protection, essential for internal combustion forklifts)

NORM	WASHBASINS	NEW TIRE SIZE /MM		MAXIMUM TIRE LOAD AT DIFFERENT TOP SPEEDS /KG						APPLICABLE MODELS
				0KM/H	2KM/H	6KM/H	10KM/H	40KM/H	50KM/H	
12.00-20/8.5	8.5	1103	290	-	-	7560	6865	5065	-	Trailer, Mining Heavy Truck
12.00-24/8.5	8.5	1235	303	-	-	8040	7305	5390	-	Trailer, Mining Heavy Truck
14.00-24/10.0	10.0	1360	365	-	-	11100	10085	7440	-	Trailer, Mining Heavy Truck
16.00-25/11.25	11.25/2.0	1535	430	-	-	15000	13625	-	-	25T Heavy Fork
18.00-25/13.0	13.00/2.5	1620	500	30600	27200	24600	22900	-	-	gantry crane
21.00-25/15.0	15.00/3.0	1750	570	36100	32100	29100	27100	-	-	gantry crane
17.5-25/14.0	14.00/1.5	1350	445	-	-	-	8250	-	5000	wheel loader
20.5-25/17.0	17.00/2.0	1490	520	-	-	-	11500	-	7500	wheel loader
23.5-25/19.5	19.50/2.5	1610	600	-	-	-	13600	-	8750	wheel loader
26.5-25/22.0	22.00/3.0	1750	675	-	-	-	17000	-	11200	wheel loader
29.5-25/25.0	25.00/3.5	1855	750	-	-	-	19800	-	12950	wheel loader





### K3 TIRE SPECIFICATIONS AND TECHNICAL PARAMETERS

(Low rolling resistance, electric bike companion)



K3



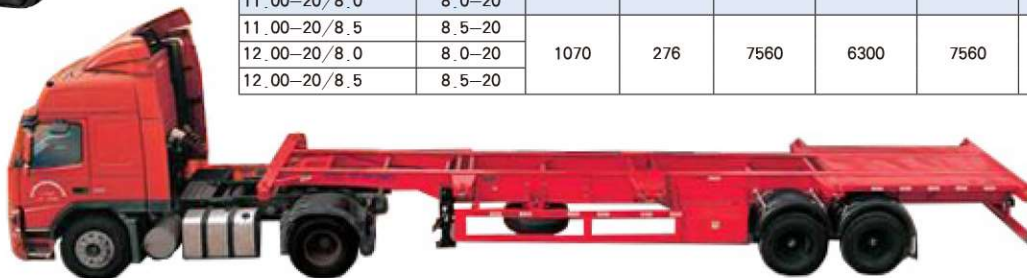
NORM	WASHBASINS	NEW TIRE SIZE /MM		MAXIMUM TIRE LOAD AT DIFFERENT TOP SPEEDS /KG				
		OUTER DIAMETER	SECTION WIDTH	COUNTERBALANCED FORKLIFT TRUCKS		OTHER INDUSTRIAL VEHICLES		
				25KM/H		6KM/H	10KM/H	25KM/H
DRIVING WHEEL	STEERING WHEEL							
4.00-4/2.50	2.50C-4	300	95	525	410	—	—	—
3.50-5/3.00	3.00SP-5	302	98	670	515	670	610	515
4.00-8/3.00	3.00D-8	409	102	950	730	950	860	730
5.00-8/3.00	3.00D-8	451	124	1415	1090	1415	1285	1090
5.00-8/3.50	3.50D-8							
6.00-9/4.00	4.00E-9	526	142	1885	1450	1885	1710	1450
6.50-10/5.00	5.00F-10	567	163	2340	1800	2340	2125	1800
7.00-12/5.00	5.00S-12	660	170	2920	2240	2920	2645	2240
7.00-15/5.50	5.5-15	723	183	3545	2725	3545	3215	2725
7.50-15/5.50	5.5-15	753	194	3900	3000	3900	3540	3000
8.25-15/6.50	6.5-15	815	209	4750	3650	4750	4300	3650
8.25-20/6.5	6.5-20	956	225	4380	3650	4745	3880	3650
8.25-20/7.0	7.0-20							
9.00-20/6.5	6.5-20	998	237	5400	4500	5850	4905	4500
9.00-20/7.0	7.0-20							
15x4.5-8/3.00	3.00D-8	379	104	1040	800	1040	945	800
15x4.5-8/3.25	3.25I-8							
16x6-8/4.33	4.33R-8	416	146	1495	1150	1495	1360	1150
16x6-8*/4.33	4.33R-8	416	157					
18x7-8/4.33	4.33R-8	455	148	2145	1650	2145	1945	1650
21x8-9/6.00	6.00E-9	527	184	2755	2120	2755	2500	2120
23x9-10/6.50	6.50F-10	581	188	3445	2650	3445	3125	2650
23x10-12/8.00	8.00G-12	584	233	3770	2900	3770	3420	2900
27x10-12/8.00	8.00G-12	670	233	3900	3000	3900	3540	3000
28x9-15/7.0	7.0-15	699	214	3900	3000	3900	3540	3000
28x12.5-15/9.75	9.75-15	706	298	5690	4375	5690	5165	4375
250-15/7.0	7.0-15	723	222	4745	3650	4745	4310	3650
250-15/7.5	7.5-15							
300-15/8.0	8.0-15	824	250	5850	4500	5850	5310	4500
140/55-9/4.00	4.00E-9	380	129	1170	900	1170	1060	900
180/60-10/5.00	5.00F-10	455	153	2410	1850	2410	2180	1850
200/50-10/6.50	6.50F-10	456	189	2470	1900	2470	2240	1900
355/65-15/9.75	9.75-15	825	286	7800	6000	7085	6430	5450

### MIL TIRE SPECIFICATIONS AND TECHNICAL PARAMETERS

(Port container semi-trailer tires)



MIL



NORM	WASHBASINS	NEW TIRE SIZE /MM		MAXIMUM TIRE LOAD AT DIFFERENT TOP SPEEDS /KG				
		OUTER DIAMETER	SECTION WIDTH	COUNTERBALANCED FORKLIFT TRUCKS		OTHER INDUSTRIAL VEHICLES		
				25KM/H		6KM/H	10KM/H	25KM/H
DRIVING WHEEL	STEERING WHEEL							
8.25-20/6.5	6.5-20	950	225	4380	3650	4380	3980	3650
8.25-20/7.0	7.0-20							
9.00-20/6.5	6.5-20	999	237	5400	4500	5400	4905	4500
9.00-20/7.0	7.0-20							
10.00-20/7.5	7.5-20	1012	249	6000	5000	6000	5450	5000
10.00-20/8.0	8.0-20							
11.00-20/7.5	7.5-20	1048	263	6540	5450	6540	5940	5450
11.00-20/8.0	8.0-20							
11.00-20/8.5	8.5-20	1070	276	7560	6300	7560	6865	6300
12.00-20/8.0	8.0-20							
12.00-20/8.5	8.5-20							



## OB503 TIRE SPECIFICATIONS AND TECHNICAL PARAMETERS

(Economical, low running costs for light duty vehicles)

NORM	WASHBASINS	NEW TIRE SIZE /MM		MAXIMUM TIRE LOAD AT DIFFERENT TOP SPEEDS /KG				
				COUNTERBALANCED FORKLIFT TRUCKS		OTHER INDUSTRIAL VEHICLES		
				25KM/H		6KM/H	10KM/H	25KM/H
				DRIVING WHEEL	STEERING WHEEL			
4.00-8/3.00	3.00D-8	399	104	950	730	950	860	730
5.00-8/3.00	3.00D-8	443	124	1415	1090	1415	1285	1090
6.00-9/4.00	4.00E-9	521	137	1885	1450	1885	1710	1450
6.50-10/5.00	5.00F-10	565	151	2340	1800	2340	2125	1800
7.00-12/5.00	5.00S-12	651	168	2920	2240	2920	2645	2240
7.00-15/5.50	5.5-15	711	168	3545	2725	3545	3215	2725
7.00-15/6.00	6.0-15							
7.50-15/5.50	5.5-15	732	193	3900	3000	3900	3540	3000
7.50-15/6.50	6.5-15							
8.25-15/6.50	6.5-15	802	208	4750	3650	4750	4300	3650
15x4.5-8/3.00	3.00D-8	373	110	1040	800	1040	945	800
16x6-8/4.33	4.33R-8	405	141	1495	1150	1495	1360	1150
18x7-8/4.33	4.33R-8	450	147	2145	1650	2145	1945	1650
21x8-9/6.00	6.00E-9	521	190	2755	2120	2755	2500	2120
23x9-10/6.50	6.50F-10	563	200	3445	2650	3445	3125	2650
23x10-12/8.00	8.00G-12	574	246	3770	2900	3770	3420	2900
27x10-12/8.00	8.00G-12	657	247	3900	3000	3900	3540	3000
28x9-15/7.0	7.0-15	687	206	3900	3000	3900	3540	3000
28x12.5-15/9.75	9.75-15	692	299	5690	4375	5690	5165	4375
250-15/7.0	7.0-15	705	210	4745	3650	4745	4310	3650
250-15/7.5	7.5-15							
300-15/8.0	8.0-15	806	251	5850	4500	5850	5310	4500
140/55-9/4.00	4.00E-9	378	130	1170	900	1170	1060	900
200/50-10/6.50	6.50F-10	450	196	2470	1900	2470	2240	1900
355/65-15/9.75	9.75-15	810	296	7800	6000	7085	6430	5450



## BLK TIRE SPECIFICATIONS AND TECHNICAL PARAMETERS

(Port, steel mill semi-trailer tires)

NORM	WASHBASINS	NEW TIRE SIZE /MM		MAXIMUM TIRE LOAD AT DIFFERENT TOP SPEEDS /KG				
				COUNTERBALANCED FORKLIFT TRUCKS		OTHER INDUSTRIAL VEHICLES		
				25KM/H		6KM/H	10KM/H	25KM/H
				DRIVING WHEEL	STEERING WHEEL			
12.00-20/8.0	8.0-20	1080	281	7560	6300	7560	6865	6300
12.00-20/8.5	8.5-20							
12.00-24/8.5	8.5-24	1184	293	8040	6700	8040	7305	6700
14.00-24/10.0	10.0-24	1300	350	11100	9250	11100	10085	9250



## PL TIRE SPECIFICATIONS AND TECHNICAL PARAMETERS

(Bridge Tire)

NORM	WASHBASINS	NEW TIRE SIZE /MM		MAXIMUM TIRE LOAD AT DIFFERENT TOP SPEEDS /KG				
				COUNTERBALANCED FORKLIFT TRUCKS		OTHER INDUSTRIAL VEHICLES		
				25KM/H		6KM/H	--	--
				DRIVING WHEEL	STEERING WHEEL			
12.00-20/10.0	10.0-20	1084	327	--	--	10000	--	--
18/70-29/14.0	14.0-29	1360	457	--	--	17500	--	--





**PREMIA**

## PREMIA TIRE SPECIFICATIONS AND TECHNICAL PARAMETERS

(Interlocking pattern design for superior performance)

NORM	WASHBASINS	NEW TIRE SIZE /MM		MAXIMUM TIRE LOAD AT DIFFERENT TOP SPEEDS /KG				
				COUNTERBALANCED FORKLIFT TRUCKS		OTHER INDUSTRIAL VEHICLES		
				25KM/H		6KM/H	10KM/H	25KM/H
DRIVING WHEEL	STEERING WHEEL	OUTER DIAMETER	SECTION WIDTH					
5.00-8/3.00	3.00D-8	448	122	1415	1090	1415	1285	1090
6.00-9/4.00	4.00E-9	527	143	1885	1450	1885	1710	1450
6.50-10/5.00	5.00F-10	570	167	2340	1800	2340	2125	1800
7.00-12/5.00	5.00S-12	654	169	2920	2240	2920	2645	2240
7.00-15/5.50	5.5-15	720	186	3545	2725	3545	3215	2725
8.25-15/6.50	6.5-15	814	207	4750	3650	4750	4300	3650
15x4.5-8/3.00	3.00D-8	376	115	1040	800	1040	945	800
15x4.5-8/3.25	3.25I-8							
16x6-8/4.33	4.33R-8	411	152	1495	1150	1495	1360	1150
18x7-8/4.33	4.33R-8	455	148	2145	1650	2145	1945	1650
21x8-9/6.00	6.00E-9	514	188	2755	2120	2755	2500	2120
23x9-10/6.50	6.50F-10	581	209	3445	2650	3445	3125	2650
23x10-12/8.00	8.00G-12	573	231	3770	2900	3770	3420	2900
27x10-12/8.00	8.00G-12	673	230	3900	3000	3900	3540	3000
28x9-15/7.0	7.0-15	691	210	3900	3000	3900	3540	3000
28x12.5-15/9.75	9.75-15	682	282	5690	4375	5690	5165	4375
250-15/7.0	7.0-15	711	214	4745	3650	4745	4310	3650
250-15/7.5	7.5-15							
300-15/8.0	8.0-15	810	242	5850	4500	5850	5310	4500
140/55-9/4.00	4.00E-9	378	130	1170	900	1170	1060	900
200/50-10/6.50	6.50F-10	453	192	2470	1900	2470	2240	1900
355/65-15/9.75	9.75-15	814	302	7800	6000	7085	6430	5450



**OB501**

## OB501 TIRE SPECIFICATIONS AND TECHNICAL PARAMETERS

(Environmentally friendly tires, optimal for low-frequency work vehicles)

NORM	WASHBASINS	NEW TIRE SIZE /MM		MAXIMUM TIRE LOAD AT DIFFERENT TOP SPEEDS /KG				
				COUNTERBALANCED FORKLIFT TRUCKS		OTHER INDUSTRIAL VEHICLES		
				25KM/H		6KM/H	10KM/H	25KM/H
DRIVING WHEEL	STEERING WHEEL	OUTER DIAMETER	SECTION WIDTH					
4.00-8/3.00	3.00D-8	399	104	950	730	950	860	730
5.00-8/3.00	3.00D-8	443	124	1415	1090	1415	1285	1090
6.00-9/4.00	4.00E-9	521	137	1885	1450	1885	1710	1450
6.50-10/5.00	5.00F-10	565	151	2340	1800	2340	2125	1800
7.00-12/5.00	5.00S-12	651	168	2920	2240	2920	2645	2240
7.00-15/5.50	5.5-15	711	168	3545	2725	3545	3215	2725
7.50-15/5.50	5.5-15	732	193	3900	3000	3900	3540	3000
7.50-15/6.50	6.5-15							
8.25-15/6.50	6.5-15	802	208	4750	3650	4750	4300	3650
15x4.5-8/3.00	3.00D-8	373	110	1040	800	1040	945	800
15x4.5-8/3.25	3.25I-8							
16x6-8/4.33	4.33R-8	411	152	1495	1150	1495	1360	1150
18x7-8/4.33	4.33R-8	450	147	2145	1650	2145	1945	1650
21x8-9/6.00	6.00E-9	521	190	2755	2120	2755	2500	2120
23x9-10/6.50	6.50F-10	581	209	3445	2650	3445	3125	2650
23x10-12/8.00	8.00G-12	574	246	3770	2900	3770	3420	2900
27x10-12/8.00	8.00G-12	657	247	3900	3000	3900	3540	3000
28x9-15/7.0	7.0-15	691	210	3900	3000	3900	3540	3000
250-15/7.0	7.0-15	705	210	4745	3650	4745	4310	3650
250-15/7.5	7.5-15							
300-15/8.0	8.0-15	806	251	5850	4500	5850	5310	4500
350-15/9.75	9.75-15	810	296	7085	5450	7085	6430	5450
200/50-10/6.50	6.50F-10	450	196	2470	1900	2470	2240	1900
355/65-15/9.75	9.75-15	810	296	7800	6000	7085	6430	5450





## RIB TIRE SPECIFICATIONS AND TECHNICAL PARAMETERS

(Airport, port and station luggage trolley tires)

NORM	WASHBASINS	NEW TIRE SIZE /MM		MAXIMUM TIRE LOAD AT DIFFERENT TOP SPEEDS /KG					
				COUNTERBALANCED FORKLIFT TRUCKS		OTHER INDUSTRIAL VEHICLES			
		OUTER DIAMETER	SECTION WIDTH	25KM/H		6KM/H	10KM/H	25KM/H	
				DRIVING WHEEL	STEERING WHEEL				
4.00-8/3.00	3.00D-8	407	101	950	730	950	860	730	
4.00-8/3.75	3.75I-8	402	108	950	730	950	860	730	
4.00-8+/3.75	3.75I-8	406	113	950	730	950	860	730	
15x4.5-8/3.00	3.00D-8	371	103	1040	800	1040	945	800	
15x4.5-8/3.25	3.25I-8								



## PL TIRE SPECIFICATIONS AND TECHNICAL PARAMETERS

NORM	WASHBASINS	NEW TIRE SIZE /MM		MAXIMUM TIRE LOAD AT DIFFERENT TOP SPEEDS /KG					
				COUNTERBALANCED FORKLIFT TRUCKS		OTHER INDUSTRIAL VEHICLES			
		OUTER DIAMETER	SECTION WIDTH	25KM/H		6KM/H	10KM/H	25KM/H	
				DRIVING WHEEL	STEERING WHEEL				
18x9-8/7.00	7.0-8	455	209	2470	1900	2470	2245	1900	



## SAS TIRE SPECIFICATIONS AND TECHNICAL PARAMETERS

(Skid Steer Loader, Rough Terrain Forklift, Crawler Boom Aerial Work Platform Wheels)

NORM	WASHBASINS	NEW TIRE SIZE /MM		MAXIMUM TIRE LOAD AT DIFFERENT TOP SPEEDS /KG					
				ROUGH TERRAIN FORKLIFT		OTHER INDUSTRIAL VEHICLES			
		OUTER DIAMETER	SECTION WIDTH	16KM/H		REST	6KM/H	10KM/H	25KM/H
				DRIVING WHEEL	STEERING WHEEL				
33x12-20/7.5	7.5-20	832	287	4465	3435	5185	4465	4055	3435
18-24/15.0	15.0-24	1030	450	11700	9750	14725	11700	10630	9750





## STS TIRE SPECIFICATIONS AND TECHNICAL PARAMETERS

(Skid Steer Loader, Rough Terrain Forklift, Crawler Boom Aerial Work Platform Wheels)

NORM	WASHBASINS	NEW TIRE SIZE /MM		MAXIMUM TIRE LOAD AT DIFFERENT TOP SPEEDS /KG					
				ROUGH TERRAIN FORKLIFT		OTHER INDUSTRIAL VEHICLES			
		OUTER DIAMETER	SECTION WIDTH	16KM/H		REST	6KM/H	10KM/H	25KM/H
				DRIVING WHEEL	STEERING WHEEL				
8.25-16/5.5	5.5-16	801	196	3145	2420	3655	3145	2855	2420



## SSS TIRE SPECIFICATIONS AND TECHNICAL PARAMETERS

(Skid Steer Loader, Rough Terrain Forklift, Crawler Boom Aerial Work Platform Wheels)

NORM	WASHBASINS	NEW TIRE SIZE /MM		MAXIMUM TIRE LOAD AT DIFFERENT TOP SPEEDS /KG					
				ROUGH TERRAIN FORKLIFT		OTHER INDUSTRIAL VEHICLES			
		OUTER DIAMETER	SECTION WIDTH	16KM/H		REST	6KM/H	10KM/H	25KM/H
				DRIVING WHEEL	STEERING WHEEL				
18-24/15.0	15.0-24	1030	450	11700	9750	14725	11700	10630	9750
26x12-16.5/8.0	8.0-15	663	283	4225	3250	4910	4225	3835	3250
31x10-20/7.5	7.5-20	790	252	4035	3100	4650	4035	3660	3100
33x12-20/7.5	7.5-20	832	287	4465	3435	5185	4465	4055	3435
36x14-20/8.5	8.5-20	913	352	6805	5235	7905	6805	6175	5235

## SLK TIRE SPECIFICATIONS AND TECHNICAL PARAMETERS

(Airport, port semi-trailer tires)

NORM	WASHBASINS	NEW TIRE SIZE /MM		MAXIMUM TIRE LOAD AT DIFFERENT TOP SPEEDS /KG				
				COUNTERBALANCED FORKLIFT TRUCKS		OTHER INDUSTRIAL VEHICLES		
		OUTER DIAMETER	SECTION WIDTH	25KM/H		6KM/H	10KM/H	25KM/H
				DRIVING WHEEL	STEERING WHEEL			
10.00-20/7.5	7.5-20	1032	249	-	-	6000	5450	5000





## PRESSURE-MATCHED SOLID TIRES

### Press-on Band Tyres

A Press-on tyre is made of rubber bonded to a mild steel band which is pressed as an interference fit onto a wheel. The steel band is a mild steel strip which is rolled, welded and expanded in-house by Watts wheel division. Adhesion between the steel band and the rubber is achieved by applying special adhesives. GTC is a world leader in Press On Band technology offering an extensive range of styles and tread pattern options. Particular design emphasis is placed on producing tyres with a large footprint area. Square profile, low heat build up and low rolling resistance.

### Features and Benefits

- Puncture proof
- High load capacity
- Square tread profile ensuring good stability
- Low rolling resistance at no extra premium reducing energy/fuel consumption

### Applications

Applicable to various forklifts and lifting vehicles which are widely used in airports, entertainment places, coal minings, construction sites, container loading places, factories and enterprises, foodstuff/beverage factories, cast plants, glass manufacturers, garbage disposal plants, freight transport and handling, army units, harbors, scrap recycling stations, iron and steel works, timber processing plants and warehouses, etc.







## SM/TR/RIB/FP TIRE SPECIFICATIONS AND TECHNICAL PARAMETERS

NORM	NEW TIRE SIZE /MM		DECORATIVE DESIGN		MAXIMUM TIRE LOAD AT DIFFERENT TOP SPEEDS /KG				
					COUNTERBALANCED FORKLIFT TRUCKS				OTHER INDUSTRIAL VEHICLES
	OUTER DIAMETER	SECTION WIDTH	SM	TR	10KM/H		16KM/H		
					DRIVING WHEEL	STEERING WHEEL	DRIVING WHEEL	STEERING WHEEL	16KM/H
9×5-5	229	127	★		890	790	785	715	685
10×5-6.25	254	127		RIB	955	850	845	765	735
10×4-6.5	254	102	★		720	640	635	580	555
10×4.75-6.5	254	121	★		885	790	785	710	680
10×5-6.5	254	127	★		940	835	830	755	725
10.5×5-6.5	267	127	★		1000	890	885	805	770
12×5-7.125	305	127		FP	1215	1000	1085	910	870
12×4.5-8	305	114	★		970	865	860	780	745
12×5-8	305	127	★		1105	980	975	885	850
12×5.5-8	305	140		★	1240	1100	1095	995	950
13×4.5-8	330	114	★		1040	925	920	835	800
13.5×4.5-8	343	114	★		1065	950	945	855	820
13.5×5.5-8	343	140	★	★	1400	1245	1235	1125	1075
13.5×6.5-8	343	165	★	★	1730	1540	1530	1390	1330
14×4.5-8	356	114	★	★	1085	965	960	870	835
14×5-10	356	127	★	★	1240	1100	1095	995	955
15×5-11.25	381	127	★	★	1290	1150	1145	1040	995
15×6-11.25	381	152	★	★	1600	1425	1415	1285	1230
15×8-11.25	381	203	★	★	2215	1975	1960	1780	1705
16×5-10.5	406	127	★	★	1400	1245	1240	1125	1075
16×6-10.5	406	152	★	★	1775	1580	1570	1430	1365
16×7-10.5	406	178	★	★	2155	1915	1905	1730	1655
16.25×5-11.25	413	127	★	★	1415	1260	1250	1135	1090
16.25×6-11.25	413	152	★	★	1780	1585	1575	1430	1370
16.25×7-11.25	413	178	★	★	2150	1915	1900	1730	1655
18×5-12.125	457	127	★	★	1525	1355	1350	1225	1175
18×6-12.125	457	152	★	★	1945	1735	1720	1565	1500
18×7-12.125	457	178	★	★	2370	2110	2095	1905	1820
18×8-12.125	457	203	★	★	2790	2485	2470	2245	2145
18×9-12.125	457	229	★	★	3215	2860	2840	2580	2470
20×8-16	508	203	★	★	2795	2490	2475	2250	2150
21×6-15	533	152	★	★	2185	1945	1935	1760	1680
21×7-15	533	178	★	★	2665	2370	2355	2140	2050
21×8-15	533	203	★	★	3140	2795	2780	2525	2415
21×9-15	533	229	★	★	3620	3220	3200	2910	2785
22×8-16	559	203	★	★	3255	2895	2880	2615	2500
22×9-16	559	229	★	★	3745	3335	3315	3010	2880
22×10-16	559	254	★	★	4240	3775	3750	3410	3265
22×12-16	559	305	★	★	5230	4655	4625	4205	4025
22×14-16	559	356	★	★	6220	5535	5500	5000	4785
22×16-16	559	406	★	★	7205	6415	6375	5795	5545





## SM/TR/RIB/FP TIRE SPECIFICATIONS AND TECHNICAL PARAMETERS

NORM	NEW TIRE SIZE /MM		DECORATIVE DESIGN		MAXIMUM TIRE LOAD AT DIFFERENT TOP SPEEDS /KG				
					COUNTERBALANCED FORKLIFT TRUCKS				OTHER INDUSTRIAL VEHICLES
	OUTER DIAMETER	SECTION WIDTH	SM	TR	10KM/H		16KM/H		
					DRIVING WHEEL	STEERING WHEEL	DRIVING WHEEL	STEERING WHEEL	16KM/H
28 x 10-22	711	254	★		5080	4525	4495	4085	3910
28 x 12-22	711	305	★		6265	5575	5545	5035	4820
28 x 14-22	711	356	★		7450	6630	6590	5990	5730
28 x 16-22	711	406	★		8635	7685	7640	6940	6645
33 x 14-22	838	356	★		9275	7585	8070	6625	6020
36 x 12-30	915	305	★		7565	6735	6695	6080	5820
40 x 16-30	1016	406	★		12595	11210	11140	10125	9690
250 x 105-170	250	105	★		730	650	645	585	560
330 x 145-180	330	145	★		1540	1265	1375	1155	1100
330 x 145-194	330	145	★		1535	1260	1370	1150	1095
405 x 130-305	405	130	★		1400	1250	1240	1125	1080
405 x 220-305	405	220	★		2570	2285	2270	2065	1975
405 x 260-305	405	260	★		3060	2720	2705	2460	2355
425 x 200-305	425	220	★		2495	2220	2210	2005	1920
450 x 300-305	450	300	★		4315	3840	3820	3470	3320
540 x 200-410	540	200	★		3035	2700	2685	2440	2335
550 x 160-410	550	160	★		2370	2110	2095	1905	1825
645 x 250-410	645	250	★		4870	4335	4310	3915	3745
645 x 300-410	645	300	★		6140	5465	5430	4935	4725
660 x 250-480	660	250	★		4845	4310	4285	3895	3725
610 x 100	610	100	★		1460	1200	1300	1095	1040





## BONDED SOLID TIRES

### CA141 TIRE SPECIFICATIONS AND TECHNICAL PARAMETERS

(Aerial work platform truck, mast lift tires)

NORM		NEW TIRE SIZE /MM		MAXIMUM TIRE LOAD AT DIFFERENT TOP SPEEDS /KG		
(METRIC SYSTEM)	(FRACTIONAL)	OUTER DIAMETER	SECTION WIDTH	REST	5KM/H	10KM/H
230 × 80	/	230	80	835	655	430
250 × 80	/	250	80	880	690	455
323 × 100	13 × 4	323	100	1345	955	700
406 × 125	16 × 5	406	125	1705	1330	1220



### OB501A TIRE SPECIFICATIONS AND TECHNICAL PARAMETERS

(Aerial work platform truck, mast lift tires)

NORM		NEW TIRE SIZE /MM		MAXIMUM TIRE LOAD AT DIFFERENT TOP SPEEDS /KG		
(METRIC SYSTEM)	(FRACTIONAL)	OUTER DIAMETER	SECTION WIDTH	REST	5KM/H	10KM/H
305 × 100	12 × 4	305	100	1025	880	800
305 × 114	12 × 4.5	305	114	1170	1005	910
/	15 × 5	381	127	1630	1395	1270
15 × 5-11.5/4.00	4.00E-11.5	381	130	1630	1395	1270





## SM TIRE SPECIFICATIONS AND TECHNICAL PARAMETERS

(Aircraft Traction Bar Tires)

NORM		NEW TIRE SIZE /MM		MAXIMUM TIRE LOAD AT DIFFERENT TOP SPEEDS /KG		
(METRIC SYSTEM)	(FRACTIONAL)	OUTER DIAMETER	SECTION WIDTH	REST	5KM/H	10KM/H
190 x 40	/	190	40	355	305	275

**SM**

## RIB TIRE SPECIFICATIONS AND TECHNICAL PARAMETERS

(Mast lift tires)

NORM		NEW TIRE SIZE /MM		MAXIMUM TIRE LOAD AT DIFFERENT TOP SPEEDS /KG		
(METRIC SYSTEM)	(FRACTIONAL)	OUTER DIAMETER	SECTION WIDTH	REST	5KM/H	10KM/H
600 x 190	/	600	190	3875	3320	3020



**RIB**



## L077 TIRE SPECIFICATIONS AND TECHNICAL PARAMETERS

(Skid steer loader tires)

NORM		NEW TIRE SIZE /MM		MAXIMUM TIRE LOAD AT DIFFERENT TOP SPEEDS /KG		
(METRIC SYSTEM)	(FRACTIONAL)	OUTER DIAMETER	SECTION WIDTH	6KM/H	10KM/H	16KM/H
/	33 x 8	838	203	4600	4175	3835

**L077**





# SAFE AND FLATPROOF TIRES

## Safety Blast Tire Structures



### WITH SAFETY BLAST TIRES, YOUR TIRES WILL:

- Safety**
  - Avoiding the danger of lost control because of sudden tyre flat.
  - Stable driving in the conditions of tough road and overload.
  - Enhancing the vehicle's stability which enables to remain moving even if the tyre flat.
- Economical**
  - Increasing the Performance life by one to two times as compared with pneumatic tyres.
  - Improving the efficiency.
  - Decreasing Largely the maintenance cost.
- Excellent Capability**
  - Prolonged performance life due to excellent heart resistance.
  - Best quality assurance.
- Universality**
  - All of the pneumatic tyres can be changed to the run flat tyres
  - Tyres design according to the client's request
  - Flatproof tyres of "ADVANCE" brand in conformity with Chinese Standard, TRA, ETRTO and JATMA.

## The utility of safety run-flat tires

Even if tyres are driving in the most abominable and dangerous conditions, the vehicles equipped with flatproof tyres can roll over acute-objects such as scrap irons nails, rocks etc. Indeed the tyres even when shot by automatic rifle AK47 also can move on.

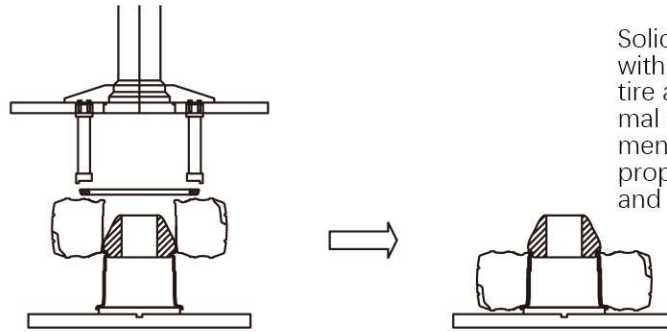
## Features of Safety Blast Tires

- Driving comfortably-decreasing the tiredness of driving and improving the efficiency of driving.
- Characterized by excellent damping property-preventing equipment from injure by shaking
- Stable driving property-supporting greater load improving stability, increasing traction.
- Avoiding the risk of air leak and blowing out.
- Wider contact area, characterized by big traction in soft and muddy road service.
- Good endurance, all-weather property, unaffected by extreme temperature.
- Reducing cost in maintenance-reducing tyre rupture and expansion of blot hole, driving comfortably, as pneumatic tyre hardness value 8
- Economical-Saving cost in maintenance and downtime.



# PNEUMATIC TIRE RIM SOLID TIRE ASSEMBLY DIAGRAM

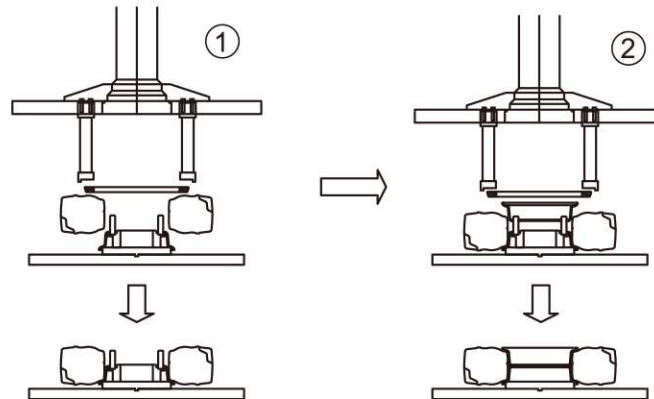
**Easi-Fit Tire assembly schematic**



**WARNINGS:**

Solid tires should never be assembled with grease-based substances on the tire and rim, which can cause abnormal damage to the tire. It is recommended to use diluted soapy water to properly coat the inside of the tire and the outside surface of the rim.

**Diagram of standard solid tires assembled with folio rims**



**Schematic diagram of a standard solid tire assembled with a multi-piece rim**

