

FKN10 Series

# CAPACITIVE PROXIMITY SWITCH



## Safety Warning

- Do not use in an environment with flammable, explosive or corrosive gases.
- Do not use in an environment with oil or chemicals.
- Do not use in an environment with high humidity.
- Do not use in direct sunlight.
- Do not use under other environmental conditions that exceed the rated value.
- Do not disassemble, repair or modify the product without permission.

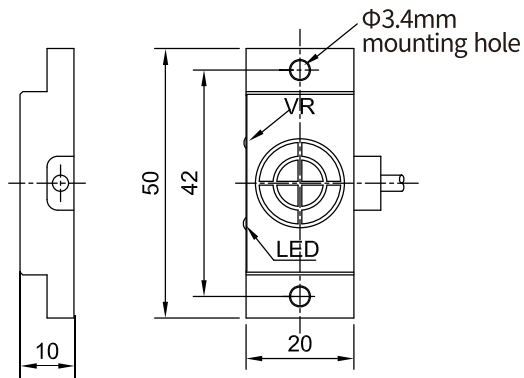
## End-of-life Disposal

When the product is disposed of, please dispose of it as industrial waste.

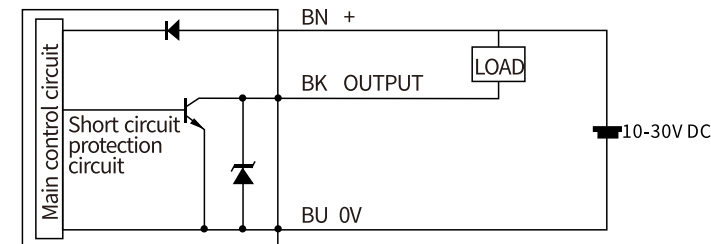
## Specification

Installation method	● Non buried	
detection distance	10mm	20mm
model	NPN.NO	FKN10-10N FKN10-20N
	NPN.NC	FKN10-10NA FKN10-20NA
	PNP.NO	FKN10-10P FKN10-20P
	PNP.NC	FKN10-10PA FKN10-20PA
supply voltage	10~30VDC	
light source	< ±20% Sr	
LOAD	<200mA	
pressure drop	<2.5V	
Consumption current	<15mA	
Return range	3~20%	
repeatability	<3%	
response time	30Hz	
Output indication	red LED	
Polarity Protection	Short circuit protection / Overload protection Polarity Protection / 10-30V wide voltage protection	
impulse withstand voltage	1000V/AC 50/60Hz 60s	
ambient temperature	-10~+55°C	
ambient humidity	35~95%	
protection grade	IP67	
Shell material	PBT	
Connection method	2m PVC cable	

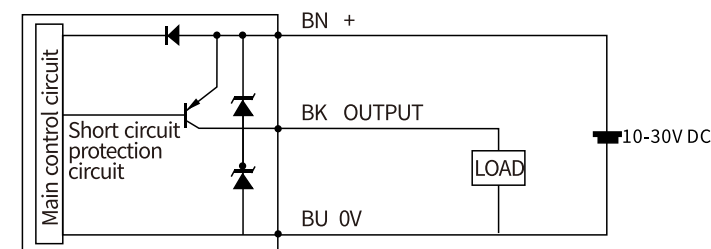
## Dimensions



## Wiring Diagram



NPN OUTPUT



PNP OUTPUT

Product specifications are subject to change without notice.  
For more information or if you have any questions or suggestions about this product, please feel free to contact us.