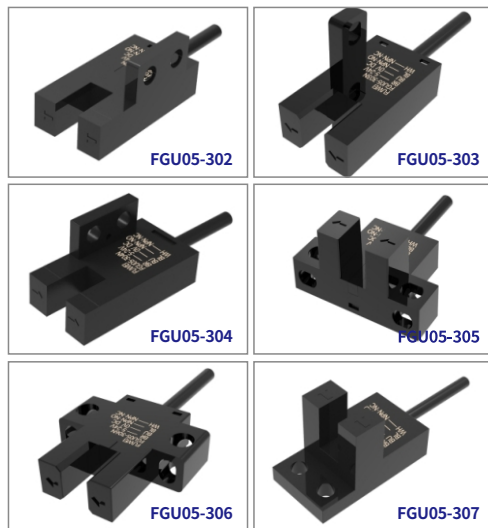


FGU05-30 Series

SLOT TYPE PHOTOELECTRIC SENSOR



Safety Warning

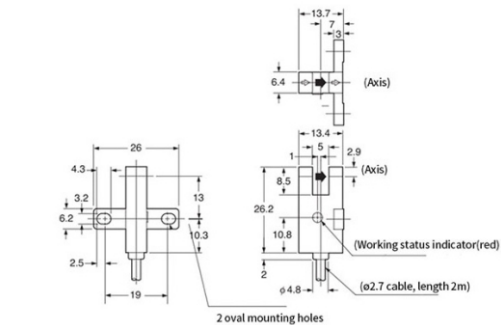
- Do not use in an environment with flammable, explosive or corrosive gases.
- Do not use in an environment with oil or chemicals.
- Do not use in an environment with high humidity.
- Do not use in direct sunlight.
- Do not use under other environmental conditions that exceed the rated value.
- Do not disassemble, repair or modify the product without permission.

End-of-life Disposal

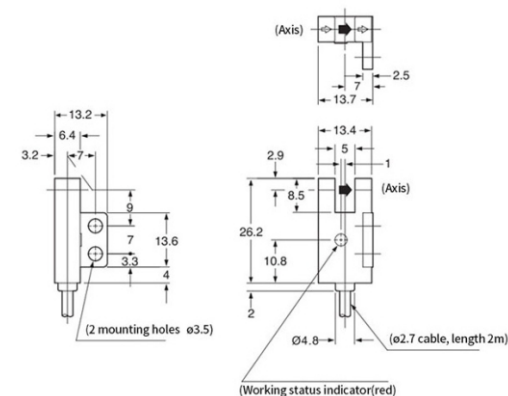
When the product is disposed of, please dispose of it as industrial waste.

Specification

Model	NPN	FGU05-302N	FGU05-303N	FGU05-304N	FGU05-305N	FGU05-306N	FGU05-307N
	PNP	FGU05-302P	FGU05-303P	FGU05-304P	FGU05-305P	FGU05-306P	FGU05-307P
Detection distance	5mm						
Light source	940nm non-modulated light						
Operating Voltage	5-24VDC±10% (ripple P-P: 10% Max)						
Consumption current	15mA Ma:						
Load current	50mA Max at DC 24V						
Output mode	N=NPN.NO&NC P=PNP.NO&NC						
Protection circuit	Battery reverse connect protect						
Response time	0.3ms Max						
Insulation resistance	20mΩ.min. (DC500V)						
Dielectric Strength	AC1000V 60Hz for 60 Sec						
Operating temperature	-10°C~45°C						
Operating humidity	20%~85%RH						
Storage temperature humidity	-10°C~55°C/20%~95%RH						
Work instruction	Red LED: power-on indicator lights up, the light goes off when the operation is on						
Waterproof grade	IP66						
Appearance material	PC engineering plastic						
Entry cable	4 core cable diameter 4.0mm						
weight	Approx. 18.5g						

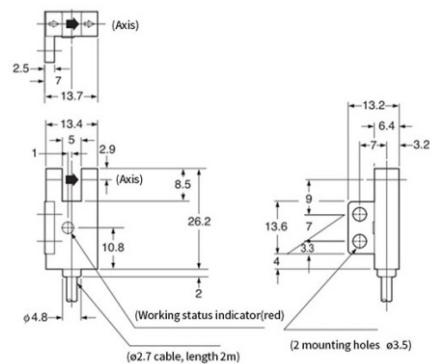


FGU05-303

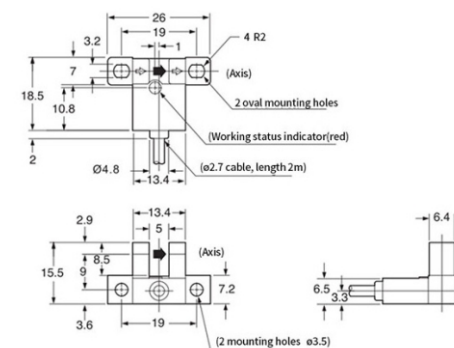


FGU05-304

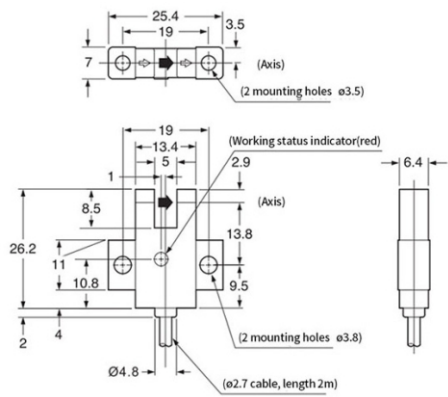
Dimensions



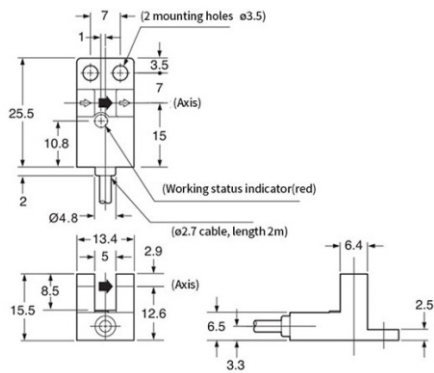
FGU05-302



FGU05-305

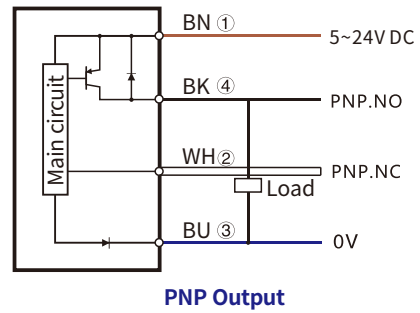
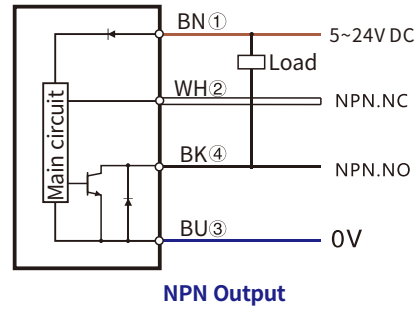


FGU05-306



FGU05-307

Wiring Diagram



Product specifications are subject to change without notice.
 For more information or if you have any questions or suggestions about this product,
 please feel free to contact us.