

IE1, IE2, IE3, IE4 系列三相异步电动机
IE1, IE2, IE3, IE4 SERIES THREE-PHASE INDUCTION MOTOR



中心高: H80~355mm
 额定输出功率: 0.75kW~375kW
 能效等级: IE1, IE2, IE3, IE4
 防护等级: IP55
 绝缘/温升等级: F/B,H/B
 Frame Size:80~355
 Rated Power:0.75kw~375kw
 DEGREES OF EFFICIENCY: IE1, IE2, IE3, IE4
 Degrees of Protection:IP55
 Degrees of Insulation:F/B,H/B

装配图及零部件明细表

SPECIFICATION, ARRANGEMENT & PARTS LIST

160-355 FRAME

Parts Description 零部件名称

1. Oil seal D.E. 驱动端油封
2. Endshield D.E. 驱动端端盖
3. Wave Spring D.E. 波形弹簧
4. Bearing D.E. 驱动端轴承
5. Inner Bearing Cover D.E. 驱动端轴承内盖
6. Terminal Box 接线盒
7. Terminal Box Lid 接线盒盖
8. Stator Lamination Pack 定子铁芯
9. Rotor with shaft 转子带轴
10. Stator Frame 机座
11. Inner Bearing Cover N.D.E. 非驱动端轴承内盖
12. Bearing N.D.E. 非驱动端轴承
13. Endshield N.D.E. 非驱动端端盖
14. Oil seal N.D.E. 非驱动端油封
15. Fan 风扇
16. Fan Cowl 风罩

Mounting 安装

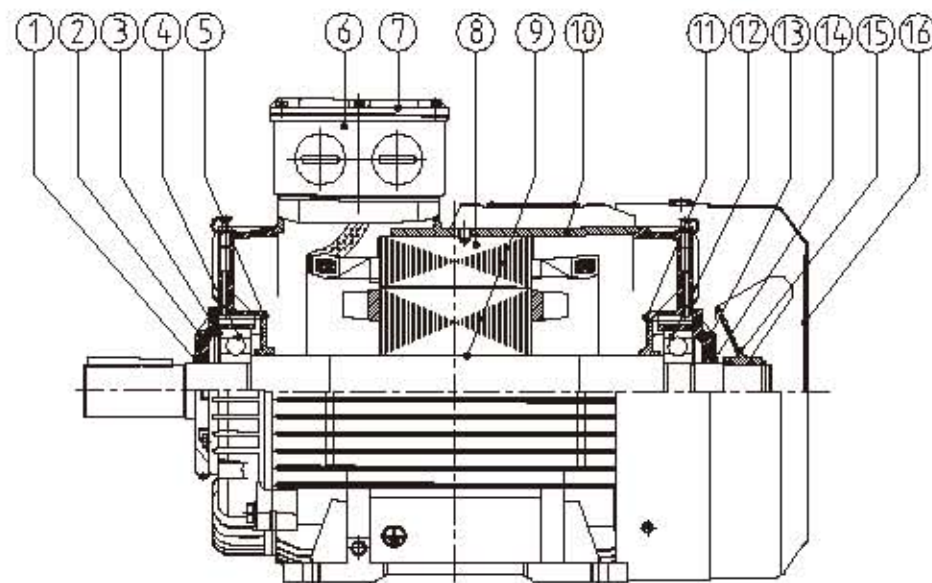
- B3-Foot mounted 卧式底脚安装
 B5-Flange mounted-horizantal. 卧式法兰安装
 B35-Foot and Flange mounted 底脚法兰安装
 V1-Flange mounted-vertical 立式法兰安装

Specification 基本结构说明

Standard Construction 标准构造
 Cast iron Frame, Endshields, Terminal Box.
 铸铁机座, 端盖和接线盒
 Pressed Steel Fan Cowl. 钢板风罩
 Cast Iron Bearings cover 铸铁轴承盖
 Polypropylene, glass reinforced Fan
 聚丙烯玻璃纤维风扇
 NSK or equivalent Bearings
 NSK或同等轴承

Features 特性

Dimensions and ratings to IEC60072.
 电机尺寸和额定功率符合IEC 60072
 IP55
 Top mounted Terminal Box
 顶出接线盒
 Terminal Box rotates in 90 deg. increments
 接线盒可90度旋转
 Drilled and tapped hole in D.E. of shaft
 轴伸端钻孔绞丝
 Cooling IC411 冷却方式 IC411



160-280

PERFORMANCE DATA

2 POLES -3000 RPM ASYNCHRONOUS SPEED 50Hz IE1

型号	功率 (kW)	额定转速 (r/min)	额定电流			效率			功率因数			堵转电流 / 额定电流	额定转矩 (N.m)	堵转转矩 / 额定转矩	最大转矩 / 额定转矩	惯量 (kg.m ²)	噪音 dB(A)	净重 (kg)
			380V(A)	400V(A)	415V(A)	100	75	50	100	75	50							
Type	output (kW)	Speed (r/min)	Rated Current			Efficiency %FL			Power factor %FL			Ist/In	Tn (N.m)	Tst/Tn	Tmax/Tn	J (kg.m ²)	Noise dB(A)	Weight (kg)
80M1-2	0.75	2840	1.93	1.83	1.76	72.1	71.8	68.9	0.82	0.78	0.67	5.5	2.5	2.2	2.5	0.0008	61	17
80M2-2	1.1	2845	2.68	2.55	2.46	75.0	74.7	72.1	0.83	0.79	0.67	5.5	3.7	2.2	2.6	0.0009	63	18
90S-2	1.5	2850	3.47	3.30	3.18	77.2	77.2	74.4	0.85	0.81	0.71	6.0	5.0	2.7	3.2	0.0012	65	23
90L-2	2.2	2850	4.88	4.63	4.47	79.7	79.3	76.2	0.86	0.81	0.72	6.1	7.4	2.9	3.1	0.0014	69	26
100L-2	3	2860	6.50	6.18	5.95	81.5	81.3	79.8	0.86	0.83	0.73	6.9	10.0	3.0	3.5	0.0039	72	33
112M1-2	4	2870	8.50	8.08	7.79	83.1	82.9	80.8	0.86	0.83	0.74	6.7	13.3	2.5	3.1	0.0055	74	45
112M2-2	5.5	2890	11.2	10.7	10.3	84.7	84.6	82.1	0.88	0.84	0.78	7.4	18.2	2.6	3.3	0.0070	78	50
132S1-2	5.5	2895	11.2	10.7	10.3	84.7	84.7	82.3	0.88	0.84	0.78	7.4	18.1	2.5	3.3	0.0111	80	58
132S2-2	7.5	2895	15.1	14.3	13.8	86.0	85.6	83.8	0.88	0.85	0.78	7.6	24.7	2.4	3.2	0.0132	80	64
132M-2	11	2910	21.7	20.6	19.9	87.6	87.5	84.4	0.88	0.85	0.81	7.2	36.1	2.4	3.3	0.0280	83	87
160M1-2	11	2930	21.7	20.6	19.9	87.6	87.5	86.5	0.88	0.86	0.82	7.3	35.9	2.3	2.6	0.039	83	96
160M2-2	15	2930	29.2	27.7	26.7	88.7	88.2	86.4	0.88	0.86	0.82	7.2	48.9	2.3	2.6	0.044	83	110
160L-2	18.5	2935	35.8	34.0	32.8	89.3	89.2	87.6	0.88	0.86	0.82	7.3	60.2	2.2	2.7	0.057	84	126
180M-2	22	2940	42.3	40.1	38.7	89.9	89.8	87.9	0.88	0.86	0.82	7.0	71.5	2.4	3.0	0.077	84	156
200L1-2	30	2950	57.1	54.3	52.3	90.7	90.8	88.7	0.88	0.86	0.82	5.9	97.1	1.9	3.0	0.125	86	206
200L2-2	37	2955	70.0	66.5	64.1	91.2	91.0	89.8	0.88	0.86	0.82	6.5	119.6	2.3	3.3	0.140	88	235
225M-2	45	2960	84.7	80.5	77.6	91.7	91.4	90.0	0.88	0.86	0.83	7.1	145.2	2.4	3.3	0.230	90	292
250M1-2	55	2965	101.9	96.9	93.4	92.1	92.2	90.2	0.89	0.87	0.83	8.0	177.2	2.7	3.1	0.320	90	358
250M2-2	75	2965	138.1	131.2	126.5	92.7	92.5	90.2	0.89	0.87	0.83	6.8	241.6	2.2	3.2	0.412	90	438
280S-2	75	2965	138.1	131.2	126.5	92.7	92.5	90.5	0.89	0.87	0.83	6.8	241.6	2.2	3.2	0.595	90	480
280M1-2	90	2970	165.2	157.0	151.3	93.0	92.6	91.0	0.89	0.88	0.83	7.2	289.4	2.2	3.0	0.678	90	540
280M2-2	110	2970	199.0	189.1	182.3	93.3	93.0	91.6	0.9	0.89	0.83	6.8	353.7	2.6	3.1	0.860	90	605
315S-2	110	2975	199.0	189.1	182.3	93.3	93.1	91.7	0.9	0.89	0.84	6.1	353.1	2.3	2.6	1.170	90	803
315M-2	132	2980	238.3	226.4	218.2	93.5	93.3	91.8	0.9	0.89	0.84	7.1	423.0	2.3	2.8	1.550	90	860
315L1-2	160	2980	284.8	270.6	260.8	93.8	93.6	91.8	0.91	0.89	0.85	7.4	512.8	2.5	2.7	1.750	91	891
315L2-2	200	2980	355.2	337.5	325.3	94.0	93.7	92.0	0.91	0.89	0.87	7.3	640.9	2.7	3.0	2.050	91	985
355M-2	250	2985	444.1	421.9	406.6	94.0	93.8	92.2	0.91	0.9	0.87	7.1	799.8	1.8	2.6	3.560	93	1482
355L-2	315	2985	559.5	531.5	512.3	94.0	93.8	92.3	0.91	0.9	0.88	6.3	1007.8	1.7	2.9	4.120	94	1706

■ INL=No Load Current ■ IFL=Full Load Current ■ IST=Locked Rotor Current ■ TST=Locked Rotor Torque
 ■ TPU=Pull Up Torque ■ TM=Maximum Torque ■ TFL=Full Load Torque

PERFORMANCE DATA

4 POLES -1500 RPM ASYNCHRONOUS SPEED 50Hz IE1

型号	功率 (kW)	额定转速 (r/min)	额定电流			效率			功率因数			堵转电流 / 额定电流	额定转矩 (N.m)	堵转转矩 / 额定转矩	最大转矩 / 额定转矩	惯量 (kg.m ²)	噪音 dB(A)	净重 (kg)
			380V(A)	400V(A)	415V(A)	100	75	50	100	75	50							
Type	output (kW)	Speed (r/min)	Rated Current			Efficiency %FL			Power factor %FL			Ist/In	Tn (N.m)	Tst/Tn	Tmax/Tn	J (kg.m ²)	Noise dB(A)	Weight (kg)
80M1-4	0.55	1410	1.59	1.51	1.46	70.0	69.7	66.5	0.75	0.67	0.55	4.6	3.7	2.4	2.7	0.002	54	17
80M2-4	0.75	1410	2.08	1.98	1.90	72.1	71.8	68.5	0.76	0.66	0.54	4.4	5.1	2.2	2.7	0.002	57	18
90S-4	1.1	1410	2.89	2.75	2.65	75.0	74.6	71.8	0.77	0.68	0.55	4.3	7.5	2.2	2.7	0.002	61	22
90L-4	1.5	1410	3.78	3.60	3.47	77.2	77.0	74.6	0.78	0.71	0.58	4.7	10.2	2.5	2.6	0.003	61	26
100L1-4	2.2	1420	5.24	4.98	4.80	79.7	79.5	76.5	0.80	0.73	0.59	5.3	14.8	2.5	2.8	0.007	61	33
100L2-4	3	1420	6.99	6.64	6.40	81.5	81.3	78.2	0.80	0.75	0.63	5.7	20.2	2.4	2.7	0.007	63	37
112M-4	4	1430	9.14	8.68	8.37	83.1	82.8	80.7	0.80	0.77	0.65	5.7	26.7	2.7	2.8	0.010	64	46
132S-4	5.5	1440	12.2	11.6	11.2	84.7	84.2	82.0	0.81	0.77	0.65	6.8	36.5	2.3	2.8	0.022	68	60
132M1-4	7.5	1445	16.2	15.4	14.8	86.0	85.6	83.1	0.82	0.78	0.72	7.2	49.6	2.6	2.8	0.030	68	73
132M2-4	11	1445	23.3	22.1	21.3	87.6	87.2	84.6	0.82	0.80	0.72	6.2	72.7	2.2	2.8	0.063	69	88
160M-4	11	1460	23.3	22.1	21.3	87.6	87.8	85.1	0.82	0.80	0.73	6.8	72.0	2.3	2.8	0.075	70	105
160L-4	15	1460	30.6	29.1	28.0	88.7	88.9	86.2	0.84	0.80	0.73	7.4	98.1	2.6	2.8	0.093	73	125
180M-4	18.5	1465	37.0	35.2	33.9	89.3	88.7	86.8	0.85	0.81	0.74	7.0	120.6	2.1	2.7	0.140	75	153
180L-4	22	1470	43.7	41.6	40.1	89.9	89.2	87.9	0.85	0.82	0.76	6.8	142.9	2.1	2.7	0.159	75	170
200L-4	30	1475	58.4	55.5	53.5	90.7	90.5	88.2	0.86	0.84	0.78	6.5	194.2	2.2	2.8	0.265	78	221
225S-4	37	1475	71.7	68.1	65.6	91.2	91.1	89.6	0.86	0.84	0.78	7.0	239.6	2.1	2.8	0.404	80	283
225M-4	45	1475	86.7	82.4	79.4	91.7	91.4	90.0	0.86	0.84	0.78	6.6	291.4	2.2	2.8	0.470	80	340
250M1-4	55	1480	105.5	100.2	96.6	92.1	92.0	91.0	0.86	0.84	0.79	6.3	354.9	2.2	2.7	0.670	82	375
250M2-4	75	1480	141.3	134.2	129.4	92.7	92.6	91.4	0.87	0.84	0.80	6.3	484.0	2.2	2.7	0.880	82	455
280S-4	75	1480	139.7	132.7	127.9	92.7	92.6	91.8	0.88	0.85	0.81	6.3	484.0	2.3	2.8	1.120	84	506
280M1-4	90	1485	167.1	158.7	153.0	93.0	92.7	91.8	0.88	0.85	0.81	7.1	578.8	2.6	2.8	1.480	84	590
280M2-4	110	1485	203.6	193.4	186.4	93.3	93.1	92.5	0.88	0.85	0.81	6.2	707.4	2.4	2.8	2.680	85	640
315S-4	110	1485	203.6	193.4	186.4	93.3	93.0	92.5	0.88	0.85	0.81	5.8	707.4	2.1	2.8	3.100	88	842
315M-4	132	1485	243.8	231.8	223.2	93.5	93.2	92.5	0.88	0.85	0.82	6.3	848.9	2.2	2.6	3.300	88	908
315L1-4	160	1490	291.2	276.6	266.6	93.8	93.5	92.8	0.89	0.86	0.82	5.7	1025.5	2.0	2.6	3.790	90	992
315L2-4	200	1490	363.2	345.1	332.6	94.0	93.9	93.0	0.89	0.86	0.82	6.2	1281.9	2.3	2.7	4.500	90	1122
355M-4	220	1490	395.1	375.4	361.8	94.0	93.8	93.0	0.90	0.86	0.83	6.3	1410.1	2.1	2.5	5.050	90	1410
355M-4	250	1490	449.0	426.5	411.1	94.0	93.8	93.2	0.90	0.87	0.84	6.5	1602.3	2.1	2.8	5.670	90	1490
355M2-4	280	1490	502.9	477.7	460.5	94.0	93.7	93.1	0.90	0.87	0.84	6.2	1794.6	2.1	2.7	6.032	90	1680
355L-4	315	1490	565.7	537.4	518.0	94.0	93.8	93.3	0.90	0.87	0.84	6.0	2019.0	2.1	2.8	6.660	90	1780

■ INL=No Load Current ■ IFL=Full Load Current ■ IST=Locked Rotor Current ■ TST=Locked Rotor Torque
 ■ TPU=Pull Up Torque ■ TM=Maximum Torque ■ TFL=Full Load Torque

PERFORMANCE DATA

6 POLES -1000 RPM ASYNCHRONOUS SPEED 50Hz IE1

型号	功率 (kW)	额定转速 (r/min)	额定电流			效率			功率因数			堵转电流 / 额定电流	额定转矩 (N.m)	堵转转矩 / 额定转矩	最大转矩 / 额定转矩	惯量 (kg.m²)	噪音 dB(A)	净重 (kg)
			380V(A)	400V(A)	415V(A)	100	75	50	100	75	50							
Type	output (kW)	Speed (r/min)	Rated Current			Efficiency %FL			Power factor %FL			Ist/In	Tn (N.m)	Tst/Tn	Tmax/Tn	J (kg.m²)	Noise dB(A)	Weight (kg)
80M1-6	0.37	915	1.35	1.28	1.23	59.7	59.8	55.5	0.70	0.62	0.52	3.2	3.9	1.8	2.0	0.002	46	17
80M2-6	0.55	915	1.81	1.72	1.66	65.8	65.7	61.6	0.70	0.63	0.52	3.3	5.7	2.0	2.2	0.003	50	20
90S-6	0.75	920	2.29	2.18	2.10	70.0	69.7	65.6	0.71	0.64	0.54	3.6	7.8	2.3	2.6	0.003	53	23
90L-6	1.1	925	3.18	3.02	2.92	72.9	72.6	69.5	0.72	0.65	0.52	3.5	11.4	2.1	2.5	0.004	55	26
100L-6	1.5	925	4.15	3.94	3.80	75.2	74.8	72.4	0.73	0.65	0.54	4.3	15.5	2.3	2.9	0.007	60	32
112M-6	2.2	935	5.89	5.60	5.40	77.7	77.2	73.2	0.73	0.68	0.57	4.4	22.5	2.2	2.5	0.014	65	41
132S-6	3	960	7.83	7.44	7.17	79.7	79.4	76.0	0.73	0.69	0.57	5.8	29.8	2.1	3.0	0.029	66	59
132M1-6	4	960	10.0	9.5	9.1	81.4	81.9	77.5	0.75	0.70	0.57	6.4	39.8	2.1	2.7	0.036	66	68
132M2-6	5.5	960	13.4	12.7	12.3	83.1	82.6	80.2	0.75	0.72	0.58	6.5	54.7	2.0	2.5	0.045	67	79
160M-6	7.5	965	17.7	16.8	16.2	84.7	84.9	81.6	0.76	0.72	0.63	5.4	74.2	2.0	2.3	0.088	71	96
160L-6	11	965	25.5	24.2	23.3	86.4	86.5	83.0	0.76	0.73	0.65	5.5	108.9	2.0	2.3	0.115	72	124
180L-6	15	970	33.3	31.7	30.5	87.7	87.6	85.1	0.78	0.74	0.66	6.2	147.7	2.1	2.5	0.207	72	161
200L1-6	18.5	975	39.2	37.2	35.9	88.6	88.2	86.3	0.81	0.78	0.68	6.2	181.2	2.0	2.8	0.315	73	183
200L2-6	22	975	46.3	44.0	42.4	89.2	88.9	87.8	0.81	0.78	0.70	5.9	215.5	2.0	2.5	0.360	73	211
225M-6	30	980	61.6	58.5	56.4	90.2	90.5	88.5	0.82	0.80	0.71	6.4	292.3	2.0	2.5	0.545	73	296
250M-6	37	980	73.7	70.0	67.5	90.8	91.0	89.7	0.84	0.81	0.72	6.7	360.6	2.3	2.6	0.834	76	347
280S-6	45	980	88.0	83.6	80.6	91.4	91.3	90.5	0.85	0.82	0.75	6.7	438.5	2.1	3.0	1.390	76	444
280M1-6	55	980	107.0	101.6	98.0	91.9	92.0	90.8	0.85	0.83	0.78	6.3	536.0	2.1	2.5	1.650	76	492
280M2-6	75	980	144.8	137.5	132.6	92.6	92.5	91.2	0.85	0.83	0.79	6.8	730.9	2.8	2.9	3.210	79	610
315S-6	75	985	144.8	137.5	132.6	92.6	92.3	91.5	0.85	0.83	0.80	7.0	727.2	2.0	2.7	4.100	80	795
315M-6	90	985	173.2	164.5	158.6	92.9	92.6	91.5	0.85	0.84	0.80	6.2	872.8	2.0	2.4	4.300	80	884
315L1-6	110	990	210.7	200.2	193.0	93.3	92.8	92.2	0.85	0.84	0.80	6.7	1061.1	2.4	2.8	5.450	82	946
315L2-6	132	990	249.4	236.9	228.4	93.5	93.5	92.3	0.86	0.85	0.81	6.8	1273.3	2.3	2.9	6.120	82	1071
355M1-6	160	990	297.9	283.0	272.8	93.8	93.5	92.7	0.87	0.86	0.82	6.5	1543.4	1.9	2.5	8.850	85	1426
355M2-6	200	990	371.6	353.0	340.2	94.0	93.8	93.0	0.87	0.86	0.82	6.3	1929.3	2.0	2.5	9.550	85	1585
355L-6	250	990	464.5	441.3	425.3	94.0	93.7	93.2	0.87	0.86	0.83	6.0	2411.6	1.9	2.4	10.40	87	1690

■ INL=No Load Current ■ IFL=Full Load Current ■ IST=Locked Rotor Current ■ TST=Locked Rotor Torque
 ■ TPU=Pull Up Torque ■ TM=Maximum Torque ■ TFL=Full Load Torque

PERFORMANCE DATA

8 POLES -750RPM ASYNCHRONOUS SPEED 50Hz IE1

型号	功率 (kW)	额定转速 (r/min)	额定电流			效率			功率因数			堵转电流 / 额定电流	额定转矩 (N.m)	堵转转矩 / 额定转矩	最大转矩 / 额定转矩	惯量 (kg.m²)	噪音 dB(A)	净重 (kg)
			380V(A)	400V(A)	415V(A)	100	75	50	100	75	50							
Type	output (kW)	Speed (r/min)	Rated Current			Efficiency %FL			Power factor %FL			Ist/In	Tn (N.m)	Tst/Tn	Tmax/Tn	J (kg.m²)	Noise dB(A)	Weight (kg)
80M1-8	0.18	670	1.18	1.12	1.08	38.0	38.0	33.0	0.61	0.55	0.45	3.2	2.6	2.1	2.4	0.002	50	17
80M2-8	0.25	670	1.43	1.36	1.31	43.4	42.7	39.6	0.61	0.55	0.45	3.3	3.6	2.0	2.2	0.003	50	19
90S-8	0.37	675	1.82	1.73	1.67	49.7	49.9	45.5	0.62	0.56	0.46	3.6	5.2	1.9	2.5	0.004	53	23
90L-8	0.55	675	2.36	2.25	2.17	56.1	56.2	52.2	0.63	0.56	0.46	3.5	7.8	1.9	2.3	0.004	54	25
100L1-8	0.75	680	2.70	2.56	2.47	61.2	61.3	56.6	0.69	0.57	0.46	4.0	10.5	2.1	2.4	0.008	56	33
100L2-8	1.1	680	3.59	3.41	3.29	66.5	66.2	60.8	0.70	0.59	0.47	3.7	15.4	2.2	2.4	0.010	58	38
112M1-8	1.5	685	4.51	4.28	4.13	70.2	69.9	65.6	0.72	0.60	0.50	4.2	20.9	2.2	2.7	0.017	61	50
112M2-8	2.2	685	6.26	5.94	5.73	74.2	73.7	69.8	0.72	0.62	0.51	4.5	30.7	2.0	2.6	0.018	62	55
132S-8	2.2	690	6.17	5.86	5.65	74.2	73.4	71.4	0.73	0.63	0.51	4.7	30.4	2.1	2.5	0.030	62	58
132M1-8	3	690	8.11	7.70	7.43	77.0	76.5	73.9	0.73	0.65	0.54	4.6	41.5	2.1	2.6	0.040	63	68
132M2-8	4	695	10.5	10.0	9.6	79.2	78.5	76.6	0.73	0.67	0.56	4.6	55.0	1.9	2.4	0.040	67	74
160M1-8	4	700	10.4	9.9	9.5	79.2	78.8	76.8	0.74	0.68	0.56	4.5	54.6	2.1	2.6	0.075	67	76
160M2-8	5.5	710	13.7	13.0	12.5	81.4	81.2	78.6	0.75	0.68	0.56	5.0	74.0	2.3	2.5	0.093	68	92
160L-8	7.5	715	17.8	16.9	16.3	83.1	82.4	79.3	0.77	0.69	0.56	6.0	100.2	2.2	2.6	0.125	68	117
180L-8	11	715	25.5	24.3	23.4	85.0	84.7	82.4	0.77	0.69	0.56	5.5	146.9	2.2	2.5	0.202	70	154
200L-8	15	720	33.9	32.2	31.0	86.2	85.6	83.5	0.78	0.72	0.58	5.8	199.0	2.1	2.5	0.338	71	202
225S-8	18.5	720	41.5	39.4	38.0	86.9	86.2	83.9	0.78	0.73	0.61	6.3	245.4	2.1	2.5	0.490	73	251
225M-8	22	725	48.4	46.0	44.3	87.4	87.5	84.2	0.79	0.74	0.63	6.2	289.8	2.2	2.5	0.550	73	295
250M-8	30	725	64.5	61.3	59.1	88.3	87.9	86.0	0.80	0.76	0.64	5.9	395.2	2.3	2.6	0.830	74	358
280S-8	37	730	78.2	74.2	71.6	88.8	88.5	86.5	0.81	0.76	0.65	6.3	484.0	2.1	2.5	1.390	75	472
280M1-8	45	735	94.6	89.9	86.6	89.2	88.7	87.3	0.81	0.76	0.65	6.4	584.7	1.9	2.5	1.650	76	528
280M2-8	55	740	113.6	107.9	104.0	89.7	88.7	87.9	0.82	0.77	0.67	6.9	709.8	2.0	2.5	3.650	77	613
315S-8	55	740	112.2	106.6	102.8	89.7	89.5	88.2	0.83	0.78	0.69	6.8	709.8	1.9	2.5	4.790	78	729
315M-8	75	740	152.0	144.4	139.2	90.3	90.0	88.6	0.83	0.78	0.70	7.0	967.9	2.0	2.4	5.580	78	902
315L1-8	90	740	179.5	170.5	164.3	90.7	90.5	89.0	0.84	0.78	0.70	6.7	1161.5	2.0	2.3	6.370	80	969
315L2-8	110	740	218.4	207.5	200.0	91.1	90.9	89.5	0.84	0.80	0.72	6.4	1419.6	1.9	2.5	7.230	81	1112
355M1-8	132	740	260.9	247.9	238.9	91.5	91.1	90.0	0.84	0.81	0.72	5.8	1703.5	2.0	2.3	10.54	82	1475
355M2-8	160	740	311.2	295.6	285.0	91.9	92.0	90.0	0.85	0.82	0.75	5.5	2064.9	1.9	2.3	11.72	86	1526
355L-8	200	740	386.5	367.2	353.9	92.5	92.2	90.2	0.85	0.82	0.75	6.0	2581.1	2.0	2.3	12.85	87	1730
355L-8	250	740	483.1	459.0	442.4	92.5	92.2	90.5	0.85	0.82	0.75	5.6	3226.4	2.0	2.2	14.32	88	2150

■ INL=No Load Current ■ IFL=Full Load Current ■ IST=Locked Rotor Current ■ TST=Locked Rotor Torque
 ■ TPU=Pull Up Torque ■ TM=Maximum Torque ■ TFL=Full Load Torque

PERFORMANCE DATA

2 POLES -3000 RPM ASYNCHRONOUS SPEED 50Hz IE2

型号	功率 (kW)	额定转速 (r/min)	额定电流			效率			功率因数			堵转电流 / 额定电流	额定转矩 (N.m)	堵转转矩 / 额定转矩	最大转矩 / 额定转矩	惯量 (kg.m²)	噪音 dB(A)	净重 (kg)
			380V(A)	400V(A)	415V(A)	100	75	50	100	75	50							
Type	output (kW)	Speed (r/min)	Rated Current			Efficiency %FL			Power factor %FL			Ist/In	Tn (N.m)	Tst/Tn	Tmax/Tn	J (kg.m²)	Noise dB(A)	Weight (kg)
801-2	0.75	2845	1.80	1.71	1.64	77.4	77.0	73.8	0.82	0.77	0.70	6.8	2.5	2.3	2.3	0.0012	62	18
802-2	1.1	2850	2.53	2.40	2.32	79.6	79.5	75.1	0.83	0.78	0.71	7.3	3.7	2.3	2.3	0.0017	62	20
90S-2	1.5	2855	3.34	3.17	3.06	81.3	81.2	77.3	0.84	0.80	0.73	7.6	5.0	2.3	2.3	0.0026	67	28
90L-2	2.2	2860	4.73	4.49	4.33	83.2	83.1	79.9	0.85	0.81	0.74	7.8	7.3	2.3	2.3	0.0034	67	32
100L-2	3	2870	6.19	5.88	5.67	84.6	84.5	81.0	0.87	0.82	0.76	8.1	10.0	2.3	2.3	0.0060	74	39
112M-2	4	2885	8.05	7.65	7.37	85.8	85.6	82.2	0.88	0.83	0.78	8.3	13.2	2.3	2.3	0.0086	77	40
132S1-2	5.5	2900	10.9	10.4	10.0	87.0	86.9	84.3	0.88	0.83	0.79	8.0	18.1	2.2	2.3	0.0160	78	62
132S2-2	7.5	2900	14.5	13.8	13.3	88.1	88.5	85.2	0.89	0.83	0.80	7.8	24.7	2.2	2.3	0.0188	79	69
160M1-2	11	2935	21.0	20.0	19.2	89.4	88.8	86.8	0.89	0.84	0.80	7.9	35.8	2.2	2.3	0.0618	80	110
160M2-2	15	2935	28.4	26.9	26.0	90.3	90.0	87.5	0.89	0.85	0.81	8.0	48.8	2.2	2.3	0.0674	81	121
160L-2	18.5	2935	34.7	33.0	31.8	90.9	90.8	88.3	0.89	0.85	0.82	8.1	60.2	2.2	2.3	0.0808	81	140
180M-2	22	2940	41.1	39.1	37.7	91.3	90.9	88.9	0.89	0.85	0.82	8.2	71.5	2.2	2.3	0.1003	83	170
200L1-2	30	2955	55.7	52.9	51.0	92.0	91.7	89.6	0.89	0.85	0.82	7.5	97.0	2.2	2.3	0.1890	84	236
200L2-2	37	2955	68.3	64.9	62.5	92.5	92.3	90.7	0.89	0.85	0.82	7.5	119.6	2.2	2.3	0.1971	84	253
225M-2	45	2965	82.7	78.6	75.7	92.9	92.6	91.4	0.89	0.85	0.83	7.6	144.9	2.2	2.3	0.3619	86	337
250M-2	55	2970	100.7	95.7	92.2	93.2	92.8	91.5	0.89	0.85	0.83	7.6	176.9	2.2	2.3	0.4387	89	439
280S-2	75	2975	136.5	129.7	125.0	93.8	93.3	92.3	0.89	0.85	0.83	6.9	240.8	2.0	2.3	0.8084	91	554
280M-2	90	2975	163.3	155.1	149.5	94.1	93.7	92.5	0.89	0.86	0.83	7.0	288.9	2.0	2.3	0.9208	91	627
315S-2	110	2975	196.9	187.1	180.3	94.3	93.8	92.7	0.90	0.86	0.83	7.1	353.1	2.0	2.2	1.693	91	871
315M-2	132	2980	235.6	223.8	215.7	94.6	94.2	93.1	0.90	0.87	0.83	7.1	423.0	2.0	2.2	1.875	91	936
315L1-2	160	2980	281.8	267.7	258.0	94.8	94.3	93.2	0.91	0.87	0.83	7.1	512.8	2.0	2.2	2.214	92	983
315L2-2	200	2980	351.5	333.9	321.9	95.0	94.6	93.5	0.91	0.87	0.83	7.1	640.9	2.0	2.2	2.517	92	1093
355M-2	250	2985	439.4	417.4	402.3	95.0	94.7	93.6	0.91	0.87	0.84	7.1	799.8	2.0	2.2	3.827	100	1482
355L-2	315	2985	553.6	525.9	506.9	95.0	94.7	93.7	0.91	0.88	0.85	7.1	1007.8	2.0	2.2	4.552	100	1706

■ INL=No Load Current ■ IFL=Full Load Current ■ IST=Locked Rotor Current ■ TST=Locked Rotor Torque
 ■ TPU=Pull Up Torque ■ TM=Maximum Torque ■ TFL=Full Load Torque

PERFORMANCE DATA

4 POLES -1500 RPM ASYNCHRONOUS SPEED 50Hz IE2

型号	功率 (kW)	额定转速 (r/min)	额定电流			效率			功率因数			堵转电流 / 额定电流	额定转矩 (N.m)	堵转转矩 / 额定转矩	最大转矩 / 额定转矩	惯量 (kg.m²)	噪音 dB(A)	净重 (kg)
			380V(A)	400V(A)	415V(A)	100	75	50	100	75	50							
Type	output (kW)	Speed (r/min)	Rated Current			Efficiency %FL			Power factor %FL			Ist/In	Tn (N.m)	Tst/Tn	Tmax/Tn	J (kg.m²)	Noise dB(A)	Weight (kg)
802-4	0.75	1415	1.88	1.79	1.72	79.6	79.5	76.3	0.76	0.69	0.56	6.5	5.1	2.3	2.3	0.0036	56	23
90S-4	1.1	1420	2.67	2.53	2.44	81.4	81.4	78.6	0.77	0.70	0.60	6.6	7.4	2.3	2.3	0.0044	58	28
90L-4	1.5	1420	3.53	3.35	3.23	82.8	82.8	79.6	0.78	0.71	0.61	6.9	10.1	2.3	2.3	0.0056	59	32
100L1-4	2.2	1435	4.96	4.71	4.54	84.3	84.1	80.9	0.80	0.72	0.63	7.5	14.6	2.3	2.3	0.0109	61	41
100L2-4	3	1435	6.58	6.25	6.03	85.5	85.4	82.0	0.81	0.72	0.63	7.6	20.0	2.3	2.3	0.0144	63	46
112M-4	4	1435	8.66	8.23	7.93	86.6	86.1	83.2	0.81	0.73	0.64	7.7	26.6	2.3	2.3	0.0171	63	50
132S-4	5.5	1445	11.6	11.0	10.6	87.7	87.3	84.5	0.82	0.74	0.64	7.5	36.3	2.0	2.3	0.0385	69	70
132M-4	7.5	1450	15.5	14.7	14.2	88.7	88.2	85.0	0.83	0.77	0.65	7.4	49.4	2.2	2.3	0.0514	69	85
160M-4	11	1460	22.4	21.3	20.5	89.8	89.6	86.3	0.83	0.78	0.70	7.5	72.0	2.2	2.3	0.1076	70	129
160L-4	15	1465	29.9	28.4	27.4	90.6	90.4	87.0	0.84	0.79	0.73	7.5	97.8	2.2	2.3	0.1390	73	155
180M-4	18.5	1470	36.3	34.4	33.2	91.2	90.9	88.2	0.85	0.80	0.74	7.7	120.2	2.2	2.3	0.1913	75	191
180L-4	22	1475	42.9	40.8	39.3	91.6	91.7	88.6	0.85	0.82	0.74	7.8	142.4	2.2	2.3	0.2192	75	214
200L-4	30	1475	58.1	55.2	53.2	92.3	92.5	89.7	0.85	0.82	0.75	7.2	194.2	2.2	2.3	0.3187	76	248
225S-4	37	1480	71.3	67.8	65.3	92.7	92.6	90.2	0.85	0.83	0.75	7.3	238.8	2.2	2.3	0.6463	78	328
225M-4	45	1480	85.4	81.1	78.2	93.1	92.9	91.0	0.86	0.83	0.75	7.4	290.4	2.2	2.3	0.7547	78	385
250M-4	55	1480	103.9	98.7	95.2	93.5	93.4	91.6	0.86	0.83	0.76	7.4	354.9	2.2	2.3	0.9344	79	446
280S-4	75	1485	139.3	132.4	127.6	94.0	93.8	92.4	0.87	0.85	0.77	6.7	482.3	2.2	2.3	1.787	80	655
280M-4	90	1485	165.0	156.7	151.0	94.2	94.0	93.1	0.88	0.85	0.77	6.9	578.8	2.2	2.3	2.123	80	704
315S-4	110	1485	198.7	188.8	182.0	94.5	94.2	93.2	0.89	0.85	0.78	6.9	707.4	2.2	2.2	3.819	85	885
315M-4	132	1485	238.0	226.1	217.9	94.7	94.6	93.8	0.89	0.85	0.80	6.9	848.9	2.2	2.2	3.831	85	953
315L1-4	160	1490	284.6	270.4	260.6	94.9	94.9	94.2	0.90	0.87	0.81	6.9	1025.5	2.2	2.2	4.673	88	1076
315L2-4	200	1490	355.0	337.3	325.1	95.1	94.9	94.2	0.90	0.87	0.81	6.9	1281.9	2.2	2.2	5.346	88	1237
355M-4	250	1490	443.8	421.6	406.4	95.1	95.0	94.3	0.90	0.87	0.82	6.9	1602.3	2.2	2.2	8.219	95	1686
355L-4	315	1490	559.2	531.2	512.0	95.1	95.0	94.3	0.90	0.87	0.82	6.9	2019.0	2.2	2.2	10.515	95	1980

■ INL=No Load Current ■ IFL=Full Load Current ■ IST=Locked Rotor Current ■ TST=Locked Rotor Torque
 ■ TPU=Pull Up Torque ■ TM=Maximum Torque ■ TFL=Full Load Torque

PERFORMANCE DATA

6 POLES -1000 RPM ASYNCHRONOUS SPEED 50Hz IE2

型号	功率 (kW)	额定转速 (r/min)	额定电流			效率			功率因数			堵转电流 / 额定电流	额定转矩 (N.m)	堵转转矩 / 额定转矩	最大转矩 / 额定转矩	惯量 (kg.m ²)	噪音 dB(A)	净重 (kg)
			380V(A)	400V(A)	415V(A)	100	75	50	100	75	50							
Type	output (kW)	Speed (r/min)	Rated Current			Efficiency %FL			Power factor %FL			Ist/In	Tn (N.m)	Tst/Tn	Tmax/Tn	J (kg.m ²)	Noise dB(A)	Weight (kg)
90S-6	0.75	930	2.11	2.01	1.94	75.9	76.2	73.1	0.71	0.85	0.58	5.8	7.7	2.1	2.1	0.0057	54	27
90L-6	1.1	935	2.97	2.82	2.72	78.1	77.8	75.1	0.72	0.85	0.58	5.9	11.2	2.1	2.1	0.0072	57	31
100L-6	1.5	945	3.97	3.77	3.63	79.8	80.1	76.0	0.72	0.88	0.59	6	15.2	2.1	2.1	0.0144	61	39
112M-6	2.2	945	5.68	5.39	5.20	81.8	82.0	78.3	0.72	0.88	0.60	6	22.2	2.0	2.1	0.0229	65	50
132S-6	3	955	7.60	7.22	6.96	83.3	83.4	79.5	0.72	0.69	0.60	6.2	30.0	2.0	2.1	0.0390	67	63
132M1-6	4	955	9.71	9.22	8.89	84.6	84.5	81.2	0.74	0.71	0.62	6.8	40.0	2.0	2.1	0.0499	68	69
132M2-6	5.5	960	13.0	12.3	11.9	86.0	86.1	82.6	0.75	0.71	0.63	7.1	54.7	2.0	2.1	0.0714	69	84
160M-6	7.5	965	16.8	15.9	15.3	87.2	87.4	84.7	0.78	0.71	0.64	6.7	74.2	2.1	2.1	0.1248	71	117
160L-6	11	965	23.9	22.7	21.8	88.7	88.8	86.0	0.79	0.72	0.65	6.9	108.9	2.1	2.1	0.1800	72	151
180L-6	15	970	31.8	30.2	29.1	89.7	90.0	87.5	0.80	0.74	0.67	7.2	147.7	2.0	2.1	0.3415	72	219
200L1-6	18.5	975	38.9	36.9	35.6	90.4	90.7	88.5	0.80	0.75	0.69	7.2	181.2	2.1	2.1	0.4894	73	235
200L2-6	22	975	45.4	43.1	41.6	90.9	91.0	89.5	0.81	0.75	0.70	7.3	215.5	2.1	2.1	0.5520	73	265
225M-6	30	980	60.6	57.6	55.5	91.7	91.8	90.7	0.82	0.75	0.71	7.1	292.3	2.0	2.1	0.7063	74	328
250M-6	37	980	73.5	69.8	67.3	92.2	92.2	91.2	0.83	0.76	0.73	7.1	360.6	2.1	2.1	1.119	75	408
280S-6	45	980	87.8	83.4	80.4	92.7	92.8	91.8	0.84	0.80	0.74	7.2	438.5	2.1	2.0	2.165	78	524
280M-6	55	985	106.9	101.5	97.8	93.1	93.2	92.6	0.84	0.80	0.75	7.2	533.2	2.1	2.0	2.669	78	601
315S-6	75	990	144.8	137.5	132.6	93.7	93.6	92.8	0.84	0.81	0.75	6.7	723.5	2.0	2.0	4.110	82	852
315M-6	90	990	173.2	164.5	158.6	94.0	93.9	93.2	0.84	0.82	0.76	6.7	868.2	2.0	2.0	4.875	82	955
315L1-6	110	990	211.0	200.4	193.2	94.3	94.2	93.5	0.84	0.82	0.76	6.7	1061.1	2.0	2.0	5.913	83	1067
315L2-6	132	990	249.4	236.9	228.4	94.6	94.4	93.6	0.85	0.82	0.77	6.7	1273.3	2.0	2.0	6.950	83	1214
355M1-6	160	990	298.2	283.3	273.0	94.8	94.7	94.2	0.86	0.82	0.78	6.7	1543.4	2.0	2.0	9.999	85	1515
355M2-6	200	990	371.9	353.3	340.6	95.0	94.9	94.2	0.86	0.83	0.80	6.7	1929.3	2.0	2.0	11.19	85	1709
355L-6	250	990	464.9	441.7	425.7	95.0	94.9	94.2	0.86	0.83	0.80	6.7	2411.6	2.0	2.0	14.06	85	1877

■ INL=No Load Current ■ IFL=Full Load Current ■ IST=Locked Rotor Current ■ TST=Locked Rotor Torque
 ■ TPU=Pull Up Torque ■ TM=Maximum Torque ■ TFL=Full Load Torque

PERFORMANCE DATA

8 POLES -750RPM ASYNCHRONOUS SPEED 50Hz IE2

型号	功率 (kW)	额定转速 (r/min)	额定电流			效率			功率因数			堵转电流 / 额定电流	额定转矩 (N.m)	堵转转矩 / 额定转矩	最大转矩 / 额定转矩	惯量 (kg.m ²)	噪音 dB(A)	净重 (kg)
			380V(A)	400V(A)	415V(A)	100	75	50	100	75	50							
Type	output (kW)	Speed (r/min)	Rated Current			Efficiency %FL			Power factor %FL			Ist/In	Tn (N.m)	Tst/Tn	Tmax/Tn	J (kg.m ²)	Noise dB(A)	Weight (kg)
100L1-8	0.75	685	2.53	2.40	2.32	66.2	65.9	61.6	0.68	0.55	0.46	4.6	10.5	2.1	2.4	0.0110	55	36
100L2-8	1.1	685	3.42	3.25	3.13	70.8	70.5	65.7	0.69	0.58	0.47	4.6	15.3	2.2	2.4	0.0127	56	42
112M1-8	1.5	690	4.33	4.12	3.97	74.1	74.2	69.8	0.71	0.61	0.51	4.7	20.8	2.2	2.7	0.0202	60	55
132S-8	2.2	695	5.98	5.68	5.48	77.6	77.6	72.4	0.72	0.61	0.52	4.7	30.2	2.1	2.5	0.0592	63	64
132M-8	3	695	7.91	7.52	7.25	80	79.8	74.8	0.72	0.63	0.54	4.6	41.2	2.1	2.6	0.0740	64	75
160M1-8	4	705	10.2	9.7	9.3	81.9	81.8	76.3	0.73	0.65	0.54	4.5	54.2	2.2	2.7	0.0822	65	84
160M2-8	5.5	705	13.5	12.8	12.3	83.8	83.6	78.6	0.74	0.65	0.55	5.5	74.5	2.3	2.8	0.116	68	102
160L-8	7.5	710	17.6	16.7	16.1	85.3	85.1	80.6	0.76	0.67	0.55	6.2	100.9	2.2	2.6	0.132	68	128
180L-8	11	720	25.3	24.0	23.2	86.9	87	83.3	0.76	0.67	0.56	5.5	145.9	2.2	2.5	0.262	70	170
200L-8	15	720	33.6	32.0	30.8	88	88.2	84.2	0.77	0.72	0.58	5.8	199.0	2.1	2.8	0.398	70	222
225S-8	18.5	720	41.2	39.1	37.7	88.6	88.4	84.7	0.77	0.72	0.61	6.2	245.4	2.1	2.5	0.578	70	276
225M-8	22	725	48.1	45.7	44.0	89.1	89	85.3	0.78	0.73	0.62	6.2	289.8	2.2	2.5	0.623	73	325
250M-8	30	725	64.3	61.0	58.8	89.8	90	86.9	0.79	0.74	0.63	5.8	395.2	2.3	2.4	1.056	74	394
280S-8	37	730	77.8	73.9	71.3	90.3	90.1	87.2	0.80	0.75	0.65	6.4	484.0	2.1	2.2	2.015	75	520
280M1-8	45	730	94.2	89.5	86.3	90.7	90.6	87.6	0.80	0.75	0.65	6.4	588.7	1.9	2.5	2.568	75	580
315S-8	55	735	112.0	106.4	102.5	91	90.8	88.2	0.82	0.76	0.68	6.8	714.6	1.9	2.2	5.362	78	802
315M-8	75	740	151.7	144.1	138.9	91.6	91.2	89	0.82	0.78	0.70	6.9	967.9	2.0	2.4	5.960	78	992
315L1-8	90	740	179.3	170.3	164.2	91.9	91.5	89.6	0.83	0.78	0.70	6.7	1161.5	1.8	2.2	6.775	80	1066
315L2-8	110	745	218.2	207.3	199.8	92.3	92.2	90.1	0.83	0.79	0.71	6.4	1410.1	1.8	2.5	7.965	81	1223
355M1-8	132	745	260.9	247.9	238.9	92.6	92.3	90.7	0.83	0.80	0.72	6.2	1692.1	1.7	2.3	12.56	82	1622
355M2-8	160	745	311.2	295.6	284.9	93	92.7	91.5	0.84	0.82	0.74	6.2	2051.0	1.6	2.3	14.32	82	1680
355L-8	200	745	386.9	367.6	354.3	93.5	93.2	92.2	0.84	0.82	0.74	6.3	2563.8	1.6	2.4	15.93	85	1903

■ INL=No Load Current ■ IFL=Full Load Current ■ IST=Locked Rotor Current ■ TST=Locked Rotor Torque
 ■ TPU=Pull Up Torque ■ TM=Maximum Torque ■ TFL=Full Load Torque

PERFORMANCE DATA

2 POLES -3000 RPM ASYNCHRONOUS SPEED 50Hz IE3

型号	功率 (kW)	额定转速 (r/min)	额定电流			效率			功率因数			堵转电流 / 额定电流	额定转矩 (N.m)	堵转转矩 / 额定转矩	最大转矩 / 额定转矩	惯量 (kg.m²)	噪音 dB(A)	净重 (kg)
			380V(A)	400V(A)	415V(A)	100	75	50	100	75	50							
Type	output (kW)	Speed (r/min)	Rated Current			Efficiency %FL			Power factor %FL			Ist/In	Tn (N.m)	Tst/Tn	Tmax/Tn	J (kg.m²)	Noise dB(A)	Weight (kg)
801-2	0.75	2855	1.72	1.64	1.58	80.7	80.5	76.8	0.82	0.77	0.72	6.8	2.5	2.2	2.4	0.0012	62	19
802-2	1.1	2860	2.43	2.31	2.23	82.7	82.8	79.3	0.83	0.77	0.72	7.5	3.7	2.2	2.3	0.0018	62	21
90S-2	1.5	2865	3.22	3.06	2.95	84.2	84.2	81.2	0.84	0.80	0.72	7.6	5.0	2.1	2.3	0.0027	67	30
90L-2	2.2	2870	4.58	4.35	4.19	85.9	85.7	82.6	0.85	0.81	0.73	7.8	7.3	2.2	2.4	0.0036	67	35
100L-2	3	2880	6.02	5.71	5.51	87.1	87.0	83.5	0.87	0.82	0.75	8.1	9.9	2.2	2.3	0.0064	74	42
112M-2	4	2895	7.84	7.45	7.18	88.1	87.9	84.7	0.88	0.82	0.77	7.8	13.2	2.3	2.5	0.0089	77	44
132S1-2	5.5	2910	10.6	10.1	9.7	89.2	89.0	86.3	0.88	0.83	0.78	8.0	18.0	2.2	2.4	0.0162	78	68
132S2-2	7.5	2910	14.4	13.7	13.2	90.1	89.8	87.9	0.88	0.83	0.79	7.8	24.6	2.2	2.3	0.0195	79	75
160M1-2	11	2940	20.6	19.6	18.9	91.2	90.7	88.4	0.89	0.83	0.79	7.9	35.7	2.2	2.3	0.0632	80	115
160M2-2	15	2940	27.9	26.5	25.5	91.9	91.8	88.5	0.89	0.84	0.80	8.0	48.7	2.2	2.5	0.0696	81	125
160L-2	18.5	2940	34.2	32.5	31.3	92.4	92.2	89.8	0.89	0.84	0.81	8.1	60.1	2.2	2.3	0.0865	81	147
180M-2	22	2945	40.5	38.5	37.1	92.7	92.4	90.2	0.89	0.84	0.81	8.2	71.3	2.2	2.3	0.1072	83	178
200L1-2	30	2960	54.9	52.1	50.3	93.3	93.1	90.4	0.89	0.85	0.81	7.5	96.8	2.2	2.4	0.1956	84	248
200L2-2	37	2960	69.7	64.0	61.7	93.7	93.6	91.2	0.89	0.85	0.82	7.5	119.4	2.2	2.3	0.2012	84	258
225M-2	45	2970	80.8	76.8	74.0	94.0	93.8	91.8	0.90	0.86	0.82	7.6	144.7	2.2	2.4	0.3926	86	353
250M-2	55	2975	98.5	93.5	90.2	94.3	94.2	92.5	0.90	0.86	0.82	7.6	176.6	2.2	2.3	0.4879	89	460
280S-2	75	2980	133.7	127.0	122.4	94.7	94.8	92.9	0.90	0.87	0.82	7.1	240.4	2.0	2.3	0.8787	91	580
280M-2	90	2980	159.9	151.9	146.4	95.0	95.1	93.2	0.90	0.87	0.82	7.0	288.4	2.0	2.3	1.088	91	658
315S-2	110	2980	195.1	185.3	178.6	95.2	95.2	93.5	0.90	0.87	0.82	7.1	352.5	2.0	2.2	1.898	91	925
315M-2	132	2980	233.6	221.9	213.9	95.4	95.2	93.9	0.90	0.87	0.82	7.1	423.0	2.0	2.2	1.998	91	982
315L1-2	160	2980	279.4	265.5	255.9	95.6	95.5	94.2	0.91	0.87	0.83	7.1	512.8	2.0	2.3	2.286	92	1030
315L2-2	200	2980	348.6	331.1	319.2	95.8	95.6	94.5	0.91	0.88	0.83	7.1	640.9	2.0	2.2	2.988	92	1145
355M-2	250	2985	435.7	413.9	399.0	95.8	95.7	94.7	0.91	0.88	0.83	7.1	799.8	2.0	2.2	3.988	100	1555
355L-2	315	2985	549.0	521.5	502.7	95.8	95.7	94.7	0.91	0.88	0.84	7.1	1007.8	2.0	2.2	4.781	100	1790

■ INL=No Load Current ■ IFL=Full Load Current ■ IST=Locked Rotor Current ■ TST=Locked Rotor Torque
 ■ TPU=Pull Up Torque ■ TM=Maximum Torque ■ TFL=Full Load Torque

PERFORMANCE DATA

4 POLES -1500 RPM ASYNCHRONOUS SPEED 50Hz IE3

型号	功率 (kW)	额定转速 (r/min)	额定电流			效率			功率因数			堵转电流 / 额定电流	额定转矩 (N.m)	堵转转矩 / 额定转矩	最大转矩 / 额定转矩	惯量 (kg.m²)	噪音 dB(A)	净重 (kg)
			380V(A)	400V(A)	415V(A)	100	75	50	100	75	50							
Type	output (kW)	Speed (r/min)	Rated Current			Efficiency %FL			Power factor %FL			Ist/In	Tn (N.m)	Tst/Tn	Tmax/Tn	J (kg.m²)	Noise dB(A)	Weight (kg)
802-4	0.75	1420	1.84	1.75	1.69	82.5	82.2	78.6	0.75	0.71	0.58	6.5	5.0	2.1	2.3	0.0036	56	25
90S-4	1.1	1425	2.61	2.48	2.39	84.1	83.9	80.9	0.76	0.71	0.60	6.6	7.4	2.1	2.3	0.0045	58	30
90L-4	1.5	1425	3.47	3.30	3.18	85.3	85.1	81.8	0.77	0.72	0.64	6.9	10.1	2.2	2.3	0.0057	59	35
100L1-4	2.2	1440	4.76	4.52	4.36	86.7	86.5	83.5	0.81	0.75	0.66	7.5	14.6	2.2	2.3	0.0110	61	45
100L2-4	3	1440	6.34	6.02	5.80	87.7	87.8	84.4	0.82	0.75	0.67	7.6	19.9	2.2	2.3	0.0146	63	51
112M-4	4	1440	8.37	7.95	7.66	88.6	88.4	85.8	0.82	0.75	0.68	7.7	26.5	2.1	2.3	0.0175	63	55
132S-4	5.5	1450	11.2	10.7	10.3	89.6	89.3	86.9	0.83	0.76	0.68	7.5	36.2	2.0	2.3	0.0397	69	77
132M-4	7.5	1455	15.0	14.3	13.7	90.4	90.1	88.0	0.84	0.78	0.69	7.4	49.2	2.2	2.3	0.0556	69	93
160M-4	11	1465	21.5	20.4	19.7	91.4	91.5	88.5	0.85	0.79	0.70	7.5	71.7	2.2	2.3	0.1104	70	135
160L-4	15	1465	28.8	27.3	26.3	92.1	92.3	89.3	0.86	0.79	0.72	7.5	97.8	2.0	2.3	0.5780	73	162
180M-4	18.5	1470	35.3	33.5	32.3	92.6	92.5	90.5	0.86	0.80	0.73	7.7	120.2	2.1	2.3	0.2088	75	196
180L-4	22	1475	41.8	39.7	38.3	93.0	92.7	91.0	0.86	0.81	0.74	7.8	142.4	2.2	2.3	0.2584	75	224
200L-4	30	1475	56.6	53.8	51.9	93.6	93.5	91.5	0.86	0.82	0.74	7.2	194.2	2.1	2.3	0.3685	76	260
225S-4	37	1480	69.6	66.1	63.7	93.9	93.6	91.8	0.86	0.83	0.75	7.3	238.8	2.2	2.4	0.6669	78	345
225M-4	45	1480	84.4	80.2	77.3	94.2	94.0	92.0	0.86	0.83	0.75	7.4	290.4	2.2	2.4	0.7896	78	403
250M-4	55	1480	102.7	97.6	94.1	94.6	94.7	92.8	0.86	0.83	0.76	7.4	354.9	2.2	2.4	1.005	79	468
280S-4	75	1485	136.3	129.5	124.8	95.0	94.8	93.0	0.88	0.84	0.76	6.7	482.3	2.0	2.3	1.898	80	685
280M-4	90	1485	163.2	155.1	149.5	95.2	95.0	93.4	0.88	0.84	0.77	6.9	578.8	2.1	2.3	2.565	80	739
315S-4	110	1485	196.8	187.0	180.2	95.4	95.1	93.8	0.89	0.84	0.78	6.9	707.4	2.1	2.2	3.863	85	930
315M-4	132	1485	235.7	223.9	215.8	95.6	95.4	94.0	0.89	0.85	0.79	6.9	848.9	2.1	2.2	4.125	85	1000
315L1-4	160	1490	285.1	270.9	261.1	95.8	95.9	94.2	0.89	0.85	0.80	6.9	1025.5	2.1	2.2	4.932	88	1130
315L2-4	200	1490	351.7	334.1	322.0	96.0	95.9	94.5	0.90	0.86	0.81	6.9	1281.9	2.1	2.2	5.855	88	1298
355M-4	250	1490	439.6	417.7	402.6	96.0	96.0	94.7	0.90	0.86	0.81	6.9	1602.3	2.1	2.3	8.456	95	1770
355L-4	315	1490	553.9	526.2	507.2	96.0	96.1	94.7	0.90	0.86	0.81	6.9	2019.0	2.2	2.3	10.745	95	2080

■ INL=No Load Current ■ IFL=Full Load Current ■ IST=Locked Rotor Current ■ TST=Locked Rotor Torque
 ■ TPU=Pull Up Torque ■ TM=Maximum Torque ■ TFL=Full Load Torque

PERFORMANCE DATA

6 POLES -1000 RPM ASYNCHRONOUS SPEED 50Hz IE3

型号 Type	功率 (kW) output	额定转速 (r/min) Speed	额定电流 380V(A) 400V(A) 415V(A) Rated Current			效率 100 75 50 Efficiency			功率因数 100 75 50 Power factor			堵转电流 /额定电流 Ist/In	额定转矩 (N.m) Tn	堵转转矩 /额定转矩 Tst/Tn	最大转矩 /额定转矩 Tmax/Tn	惯量 (kg.m²) J	噪音 dB(A) Noise	净重 (kg) Weight
			380V(A)	400V(A)	415V(A)	100	75	50	100	75	50							
90S-6	0.75	935	2.03	1.93	1.86	78.9	78.8	75.6	0.71	0.85	0.59	5.8	7.7	2.1	2.2	0.0058	54	30
90L-6	1.1	940	2.83	2.69	2.59	81.0	81.1	77.2	0.73	0.86	0.60	5.9	11.2	2.1	2.2	0.0074	57	35
100L-6	1.5	950	3.78	3.60	3.47	82.5	82.3	78.9	0.73	0.87	0.60	6.0	15.1	2.1	2.2	0.0156	61	43
112M-6	2.2	950	5.36	5.09	4.91	84.3	84.2	81.3	0.74	0.87	0.61	6.0	22.1	2.0	2.2	0.0249	65	55
132S-6	3	960	7.20	6.84	6.59	85.6	85.2	82.5	0.74	0.88	0.61	6.2	29.8	2.0	2.2	0.0450	67	69
132M1-6	4	960	9.46	8.99	8.66	86.8	86.7	83.2	0.74	0.70	0.62	6.8	39.8	2.0	2.2	0.0522	68	76
132M2-6	5.5	965	12.7	12.0	11.6	88.0	87.9	84.6	0.75	0.71	0.62	7.1	54.4	2.0	2.3	0.0923	69	92
160M-6	7.5	970	16.2	15.4	14.8	89.1	89.2	85.7	0.79	0.73	0.63	6.7	73.8	2.1	2.3	0.1435	71	123
160L-6	11	970	23.1	22.0	21.2	90.3	90.2	87.2	0.80	0.73	0.64	6.9	108.3	2.1	2.3	0.2050	72	159
180L-6	15	975	30.9	29.3	28.2	91.2	91.1	88.5	0.81	0.74	0.66	7.1	146.9	2.0	2.2	0.3561	72	230
200L1-6	18.5	980	37.8	36.0	34.7	91.7	91.7	89.6	0.81	0.74	0.68	7.2	180.3	2.1	2.3	0.5020	73	246
200L2-6	22	980	44.8	42.5	41.0	92.2	92.3	90.7	0.81	0.75	0.69	7.2	214.4	2.1	2.3	0.5740	73	278
225M-6	30	985	59.1	56.2	54.1	92.9	92.8	91.3	0.83	0.75	0.70	7.1	290.9	2.0	2.2	0.7256	74	344
250M-6	37	985	71.7	68.1	65.7	93.3	93.2	91.8	0.84	0.76	0.71	7.1	358.7	2.1	2.3	1.135	75	428
280S-6	45	985	85.8	81.6	78.6	93.7	93.6	92.1	0.85	0.79	0.72	7.1	436.3	2.1	2.2	2.204	78	550
280M-6	55	985	103.3	98.1	94.6	94.1	94.2	92.6	0.86	0.79	0.73	7.1	533.2	2.1	2.2	2.689	78	630
315S-6	75	990	143.4	136.2	131.3	94.6	94.5	93.2	0.84	0.80	0.74	6.7	723.5	2.0	2.3	4.145	82	895
315M-6	90	990	169.5	161.0	155.2	94.9	95.0	93.7	0.85	0.80	0.75	6.7	868.2	2.0	2.3	4.985	82	1002
315L1-6	110	990	206.8	196.4	189.3	95.1	95.0	94.0	0.85	0.81	0.75	6.7	1061.1	2.0	2.3	6.136	83	1120
315L2-6	132	990	244.5	232.2	223.8	95.4	95.3	94.2	0.86	0.81	0.76	6.7	1273.3	2.0	2.3	7.082	83	1275
355M1-6	160	990	295.7	280.9	270.7	95.6	95.5	94.7	0.86	0.81	0.76	6.7	1543.4	2.0	2.3	10.544	85	1590
355M2-6	200	990	364.6	346.4	333.8	95.8	95.7	94.8	0.87	0.81	0.78	6.7	1929.3	2.0	2.3	11.856	85	1795
355L-6	250	990	455.7	433.0	417.3	95.8	95.8	95.0	0.87	0.81	0.78	6.7	2411.6	2.0	2.3	14.965	85	1970

INL=No Load Current IFL=Full Load Current IST=Locked Rotor Current TST=Locked Rotor Torque
 TPU=Pull Up Torque TM=Maximum Torque TFL=Full Load Torque

PERFORMANCE DATA

8 POLES -750RPM ASYNCHRONOUS SPEED 50Hz IE3

型号 Type	功率 (kW) output	额定转速 (r/min) Speed	额定电流 380V(A) 400V(A) 415V(A) Rated Current			效率 100 75 50 Efficiency			功率因数 100 75 50 Power factor			堵转电流 /额定电流 Ist/In	额定转矩 (N.m) Tn	堵转转矩 /额定转矩 Tst/Tn	最大转矩 /额定转矩 Tmax/Tn	惯量 (kg.m²) J	噪音 dB(A) Noise	净重 (kg) Weight
			380V(A)	400V(A)	415V(A)	100	75	50	100	75	50							
100L1-8	0.75	695	2.27	2.15	2.08	75.0	74.6	69.8	0.67	0.55	0.45	4.6	10.3	2.1	2.4	0.0112	55	40
100L2-8	1.1	695	3.12	2.96	2.85	77.7	77.5	72.5	0.69	0.57	0.46	4.6	15.1	2.2	2.4	0.0130	56	46
112M1-8	1.5	700	4.09	3.88	3.74	79.7	79.5	75.2	0.70	0.60	0.50	4.7	20.5	2.2	2.7	0.0210	60	60
132S-8	2.2	705	5.75	5.46	5.26	81.9	81.8	77.6	0.71	0.60	0.52	4.7	29.8	2.1	2.5	0.0612	63	70
132M-8	3	705	7.48	7.10	6.85	83.5	83.3	79.5	0.73	0.62	0.54	4.6	40.6	2.1	2.6	0.0811	64	80
160M1-8	4	715	9.8	9.3	9.0	84.8	84.6	80.9	0.73	0.63	0.54	4.5	53.4	2.2	2.7	0.0920	65	89
160M2-8	5.5	715	13.1	12.4	12.0	86.2	86.1	82.5	0.74	0.64	0.54	5.5	73.5	2.3	2.7	0.1230	68	107
160L-8	7.5	725	17.4	16.5	15.9	87.3	87.2	83.8	0.75	0.66	0.55	6.2	98.8	2.2	2.6	0.1380	68	135
180L-8	11	730	25.2	23.9	23.0	88.6	88.6	84.9	0.75	0.66	0.56	5.5	143.9	2.2	2.5	0.2780	70	179
200L-8	15	730	33.5	31.8	30.6	89.8	89.5	86.0	0.76	0.71	0.57	5.8	196.2	2.1	2.6	0.4032	70	233
225S-8	18.5	730	41.0	39.0	37.6	90.1	90.0	86.7	0.76	0.71	0.61	6.2	242.0	2.1	2.5	0.5980	70	290
225M-8	22	735	47.3	44.9	43.3	90.6	90.5	87.8	0.78	0.72	0.62	6.2	285.9	2.2	2.5	0.6880	73	340
250M-8	30	735	63.2	60.0	57.9	91.3	91.3	88.3	0.79	0.73	0.63	6.2	389.8	2.3	2.4	1.156	74	413
280S-8	37	740	77.5	73.6	71.0	91.8	91.6	88.9	0.79	0.74	0.64	6.4	477.5	2.1	2.2	2.208	75	546
280M1-8	45	740	93.9	89.2	86.0	92.2	92.0	89.5	0.79	0.74	0.65	6.4	580.7	1.9	2.5	2.870	75	610
315S-8	55	740	111.5	106.0	102.1	92.5	92.6	90.6	0.81	0.75	0.67	6.7	709.8	1.9	2.2	5.867	78	842
315M-8	75	740	151.1	143.6	138.4	93.1	93.0	91.5	0.81	0.77	0.69	6.7	967.9	2.0	2.4	6.233	78	1042
315L1-8	90	745	178.5	169.6	163.5	93.4	93.3	92.0	0.82	0.77	0.69	6.7	1153.7	1.8	2.2	6.988	80	1130
315L2-8	110	745	217.5	206.6	199.2	93.7	93.5	92.5	0.82	0.78	0.70	6.4	1410.1	1.8	2.5	8.152	81	1285
355M1-8	132	745	260.2	247.2	238.3	94.0	94.1	92.8	0.82	0.79	0.72	6.2	1692.1	1.7	2.3	13.14	82	1703
355M2-8	160	745	314.4	298.7	287.9	94.3	94.1	93.0	0.82	0.81	0.73	6.2	2051.0	1.6	2.3	14.90	82	1765
355L-8	200	745	387.0	367.7	354.4	94.6	94.5	93.5	0.83	0.81	0.74	6.3	2563.8	1.6	2.4	16.21	85	1998

INL=No Load Current IFL=Full Load Current IST=Locked Rotor Current TST=Locked Rotor Torque
 TPU=Pull Up Torque TM=Maximum Torque TFL=Full Load Torque

PERFORMANCE DATA

2 POLES -3000 RPM ASYNCHRONOUS SPEED 50Hz IE4

型号	功率 (kW)	额定转速 (r/min)	额定电流			效率			功率因数			堵转电流 / 额定电流	额定转矩 (N.m)	堵转转矩 / 额定转矩	最大转矩 / 额定转矩	惯量 (kg.m ²)	噪音 dB(A)	净重 (kg)
			380V(A)	400V(A)	415V(A)	100	75	50	100	75	50							
Type	output (kW)	Speed (r/min)	Rated Current			Efficiency %FL			Power factor %FL			Ist/In	Tn (N.m)	Tst/Tn	Tmax/Tn	J (kg.m ²)	Noise dB(A)	Weight (kg)
801-2	0.75	2860	1.64	1.56	1.51	83.5	82.9	79.3	0.83	0.77	0.72	6.8	2.5	2.2	2.4	0.0015	62	24
802-2	1.1	2865	2.36	2.25	2.16	85.2	84.7	80.2	0.83	0.77	0.72	7.2	3.7	2.2	2.3	0.0020	62	30
90S-2	1.5	2870	3.10	2.94	2.84	86.5	85.6	81.5	0.85	0.80	0.72	7.6	5.0	2.1	2.3	0.0031	67	36
90L-2	2.2	2875	4.42	4.20	4.04	88.0	87.5	82.9	0.86	0.81	0.73	7.5	7.3	2.2	2.4	0.0039	67	48
100L-2	3	2885	5.88	5.59	5.38	89.1	88.8	84.0	0.87	0.82	0.75	7.9	9.9	2.2	2.3	0.0072	74	50
112M-2	4	2900	7.67	7.29	7.03	90.0	89.2	84.7	0.88	0.82	0.77	7.8	13.2	2.3	2.5	0.0095	77	58
132S1-2	5.5	2915	10.4	9.9	9.6	90.9	89.9	86.3	0.88	0.83	0.78	8.0	18.0	2.2	2.4	0.0171	78	79
132S2-2	7.5	2915	14.0	13.3	12.8	91.7	91.5	88.5	0.89	0.83	0.79	7.8	24.6	2.2	2.3	0.0203	79	87
160M1-2	11	2940	20.3	19.3	18.6	92.6	92.3	89.6	0.89	0.83	0.79	7.6	35.7	2.2	2.3	0.0687	80	128
160M2-2	15	2940	27.4	26.1	25.1	93.3	92.8	90.8	0.89	0.84	0.80	7.9	48.7	2.2	2.5	0.0715	81	137
160L-2	18.5	2940	33.7	32.0	30.9	93.7	93.5	91.2	0.89	0.84	0.81	7.9	60.1	2.2	2.3	0.0899	81	159
180M-2	22	2945	40.0	38.0	36.6	94.0	93.7	91.4	0.89	0.84	0.81	7.8	71.3	2.2	2.3	0.1105	83	190
200L1-2	30	2960	54.2	51.5	49.6	94.5	94.0	92.5	0.89	0.85	0.81	7.5	96.8	2.2	2.4	0.2036	84	265
200L2-2	37	2960	69.7	63.3	61.0	94.8	94.1	92.6	0.89	0.85	0.82	7.5	119.4	2.2	2.3	0.2111	84	278
225M-2	45	2970	80.9	76.8	74.0	95.0	94.8	92.9	0.89	0.85	0.82	7.6	144.7	2.2	2.4	0.4012	86	370
250M-2	55	2975	98.5	93.6	90.2	95.3	94.9	93.1	0.89	0.86	0.82	7.6	176.6	2.2	2.3	0.4997	89	485
280S-2	75	2980	133.9	127.2	122.6	95.6	95.0	93.1	0.89	0.86	0.82	7.5	240.4	2.0	2.3	0.8859	91	600
280M-2	90	2980	160.4	152.4	146.9	95.8	95.3	93.2	0.89	0.86	0.82	7.2	288.4	2.0	2.3	1.102	91	670
315S-2	110	2980	195.6	185.8	179.1	96.0	95.5	93.5	0.89	0.86	0.82	7.1	352.5	2.0	2.2	1.937	91	950
315M-2	132	2980	234.2	222.5	214.5	96.2	95.6	93.9	0.89	0.86	0.82	7.1	423.0	2.0	2.2	2.005	91	1030
315L1-2	160	2980	283.6	269.5	259.7	96.3	95.6	94.2	0.89	0.87	0.83	7.1	512.8	2.0	2.3	2.301	92	1145
315L2-2	200	2980	353.8	336.1	324.0	96.5	95.6	94.5	0.89	0.87	0.83	7.1	640.9	2.0	2.2	3.005	92	1230
355M-2	250	2985	432.6	410.9	396.1	96.5	95.7	94.7	0.91	0.88	0.83	7.1	799.8	2.0	2.2	4.023	96	1630
355L-2	315	2985	545.0	517.8	499.1	96.5	95.8	94.7	0.91	0.88	0.84	7.1	1007.8	2.0	2.2	4.826	97	1820

■ INL=No Load Current ■ IFL=Full Load Current ■ IST=Locked Rotor Current ■ TST=Locked Rotor Torque
 ■ TPU=Pull Up Torque ■ TM=Maximum Torque ■ TFL=Full Load Torque

PERFORMANCE DATA

4 POLES -1500 RPM ASYNCHRONOUS SPEED 50Hz IE4

型号	功率 (kW)	额定转速 (r/min)	额定电流			效率			功率因数			堵转电流 / 额定电流	额定转矩 (N.m)	堵转转矩 / 额定转矩	最大转矩 / 额定转矩	惯量 (kg.m ²)	噪音 dB(A)	净重 (kg)
			380V(A)	400V(A)	415V(A)	100	75	50	100	75	50							
Type	output (kW)	Speed (r/min)	Rated Current			Efficiency %FL			Power factor %FL			Ist/In	Tn (N.m)	Tst/Tn	Tmax/Tn	J (kg.m ²)	Noise dB(A)	Weight (kg)
802-4	0.75	1420	1.80	1.71	1.65	85.7	85.1	80.9	0.74	0.71	0.60	6.5	5.0	2.1	2.3	0.0039	56	32
90S-4	1.1	1425	2.56	2.43	2.34	87.2	86.5	81.8	0.75	0.71	0.60	6.6	7.4	2.1	2.3	0.0049	58	38
90L-4	1.5	1425	3.40	3.23	3.11	88.2	87.6	83.5	0.76	0.72	0.64	6.9	10.1	2.2	2.3	0.0060	59	45
100L1-4	2.2	1440	4.73	4.49	4.33	89.5	89.1	84.4	0.79	0.75	0.66	7.5	14.6	2.2	2.3	0.0115	61	56
100L2-4	3	1440	6.30	5.99	5.77	90.4	89.8	85.8	0.80	0.75	0.67	7.6	19.9	2.2	2.3	0.0150	63	60
112M-4	4	1440	8.34	7.92	7.64	91.1	90.5	86.9	0.80	0.75	0.68	7.7	26.5	2.1	2.3	0.0182	63	67
132S-4	5.5	1450	11.4	10.8	10.4	91.9	91.3	88.0	0.80	0.76	0.68	7.5	36.2	2.0	2.3	0.0403	69	86
132M-4	7.5	1455	15.2	14.4	13.9	92.6	92.2	88.5	0.81	0.78	0.69	7.4	49.2	2.2	2.3	0.0563	69	95
160M-4	11	1465	21.6	20.5	19.8	93.3	92.9	89.3	0.83	0.79	0.70	7.5	71.7	2.2	2.3	0.1128	70	145
160L-4	15	1465	28.9	27.4	26.5	93.9	93.4	90.5	0.84	0.79	0.72	7.5	97.8	2.0	2.3	0.5980	73	170
180M-4	18.5	1470	35.1	33.3	32.1	94.2	93.6	91.0	0.85	0.80	0.73	7.7	120.2	2.1	2.3	0.2102	75	205
180L-4	22	1475	41.6	39.5	38.1	94.5	94.1	91.5	0.85	0.81	0.74	7.8	142.4	2.2	2.3	0.2735	75	240
200L-4	30	1475	56.5	53.7	51.7	94.9	94.7	91.8	0.85	0.82	0.74	7.2	194.2	2.1	2.3	0.3752	76	270
225S-4	37	1480	69.5	66.0	63.8	95.2	95.0	92.0	0.85	0.83	0.75	7.3	238.8	2.2	2.4	0.6728	78	360
225M-4	45	1480	84.3	80.1	77.2	95.4	95.1	92.8	0.85	0.83	0.75	7.4	290.4	2.2	2.4	0.7996	78	425
250M-4	55	1480	101.5	96.5	93.0	95.7	95.2	93.0	0.86	0.83	0.76	7.4	354.9	2.2	2.4	1.019	79	480
280S-4	75	1485	136.4	129.6	124.9	96.0	95.8	93.4	0.87	0.84	0.76	6.7	482.3	2.0	2.3	1.965	80	700
280M-4	90	1485	161.7	153.6	148.1	96.1	95.8	93.8	0.88	0.84	0.77	6.9	578.8	2.1	2.3	2.612	80	750
315S-4	110	1485	195.0	185.3	178.6	96.3	95.8	94.0	0.89	0.84	0.78	6.9	707.4	2.1	2.2	3.913	85	965
315M-4	132	1485	233.8	222.1	214.0	96.4	95.9	94.2	0.89	0.85	0.79	6.9	848.9	2.1	2.2	4.156	85	1070
315L1-4	160	1490	279.6	265.6	256.0	96.6	96.2	94.5	0.90	0.85	0.80	6.9	1025.5	2.1	2.2	5.216	88	1185
315L2-4	200	1490	349.2	331.7	319.7	96.7	96.2	94.7	0.90	0.86	0.81	6.9	1281.9	2.1	2.2	6.012	88	1310
355M-4	250	1490	436.5	414.6	399.6	96.7	96.3	94.7	0.90	0.86	0.81	6.9	1602.3	2.1	2.3	9.654	95	1780
355L-4	315	1490	549.9	522.4	503.6	96.7	96.3	95.0	0.90	0.87	0.82	6.9	2019.0	2.2	2.3	11.32	95	2090

■ INL=No Load Current ■ IFL=Full Load Current ■ IST=Locked Rotor Current ■ TST=Locked Rotor Torque
 ■ TPU=Pull Up Torque ■ TM=Maximum Torque ■ TFL=Full Load Torque

PERFORMANCE DATA

6 POLES -1000 RPM ASYNCHRONOUS SPEED 50Hz IE4

型号	功率 (kW)	额定转速 (r/min)	额定电流			效率			功率因数			堵转电流 / 额定电流	额定转矩 (N.m)	堵转转矩 / 额定转矩	最大转矩 / 额定转矩	惯量 (kg.m²)	噪音 dB(A)	净重 (kg)
			380V(A)	400V(A)	415V(A)	100	75	50	100	75	50							
Type	output (kW)	Speed (r/min)	Rated Current			Efficiency %FL			Power factor %FL			Ist/In	Tn (N.m)	Tst/Tn	Tmax/Tn	J (kg.m²)	Noise dB(A)	Weight (kg)
90S-6	0.75	935	1.97	1.87	1.80	82.7	82.2	78.6	0.70	0.64	0.58	5.8	7.7	2.1	2.2	0.0063	54	35
90L-6	1.1	940	2.83	2.68	2.59	84.5	84.1	80.5	0.70	0.65	0.60	5.9	11.2	2.1	2.2	0.0085	57	43
100L-6	1.5	950	3.74	3.55	3.42	85.9	85.6	81.2	0.71	0.66	0.60	6.0	15.1	2.1	2.2	0.0160	61	50
112M-6	2.2	950	5.39	5.12	4.93	87.4	87.1	82.8	0.71	0.67	0.61	6.0	22.1	2.0	2.2	0.0258	65	60
132S-6	3	960	7.25	6.88	6.63	88.6	88.5	83.6	0.71	0.67	0.61	6.2	29.8	2.0	2.2	0.0469	67	73
132M1-6	4	960	9.43	8.96	8.64	89.5	88.9	84.2	0.72	0.68	0.61	6.8	39.8	2.0	2.2	0.0532	68	80
132M2-6	5.5	965	12.8	12.2	11.7	90.5	90.2	85.7	0.72	0.68	0.62	7.1	54.4	2.0	2.3	0.0958	69	102
160M-6	7.5	970	16.4	15.6	15.0	91.3	90.8	87.2	0.76	0.72	0.63	6.7	73.8	2.1	2.3	0.1487	71	135
160L-6	11	970	23.5	22.3	21.5	92.3	91.9	88.5	0.77	0.73	0.64	6.9	108.3	2.1	2.3	0.2152	72	170
180L-6	15	975	30.7	29.1	28.1	92.9	92.5	89.6	0.80	0.74	0.66	7.1	146.9	2.0	2.2	0.3721	72	240
200L1-6	18.5	980	37.6	35.7	34.4	93.4	93.2	90.7	0.80	0.74	0.68	7.2	180.3	2.1	2.3	0.5158	73	260
200L2-6	22	980	44.0	41.8	40.3	93.7	93.5	91.3	0.81	0.75	0.69	7.2	214.4	2.1	2.3	0.5936	73	285
225M-6	30	985	59.0	56.1	54.0	94.2	94.0	91.8	0.82	0.75	0.70	7.1	290.9	2.0	2.2	0.7325	74	360
250M-6	37	985	71.7	68.1	65.6	94.5	94.1	92.1	0.83	0.76	0.71	7.1	358.7	2.1	2.3	1.146	75	445
280S-6	45	985	86.9	82.6	79.6	94.8	94.5	92.6	0.83	0.78	0.72	7.1	436.3	2.1	2.2	2.487	78	565
280M-6	55	985	104.6	99.4	95.8	95.1	94.8	93.2	0.84	0.79	0.73	7.1	533.2	2.1	2.2	2.966	78	645
315S-6	75	990	142.2	135.1	130.2	95.4	95.1	93.7	0.84	0.80	0.74	6.7	723.5	2.0	2.3	4.521	82	915
315M-6	90	990	168.3	159.9	154.1	95.6	95.1	93.7	0.85	0.80	0.75	6.7	868.2	2.0	2.3	5.123	82	1020
315L1-6	110	990	205.2	195.0	187.9	95.8	95.3	94.2	0.85	0.81	0.75	6.7	1061.1	2.0	2.3	6.398	83	1160
315L2-6	132	990	242.9	230.8	222.4	96.0	95.5	94.7	0.86	0.81	0.76	6.7	1273.3	2.0	2.3	7.452	83	1290
355M1-6	160	990	293.8	279.2	269.1	96.2	95.5	94.7	0.86	0.81	0.76	6.7	1543.4	2.0	2.3	11.225	85	1615
355M2-6	200	990	366.9	348.6	336.0	96.3	95.7	94.8	0.86	0.81	0.78	6.7	1929.3	2.0	2.3	12.316	85	1820
355L-6	250	990	457.7	434.8	419.1	96.5	95.8	95.0	0.86	0.81	0.78	6.7	2411.6	2.0	2.3	15.012	85	1995

■ INL=No Load Current ■ IFL=Full Load Current ■ IST=Locked Rotor Current ■ TST=Locked Rotor Torque
 ■ TPU=Pull Up Torque ■ TM=Maximum Torque ■ TFL=Full Load Torque

PERFORMANCE DATA

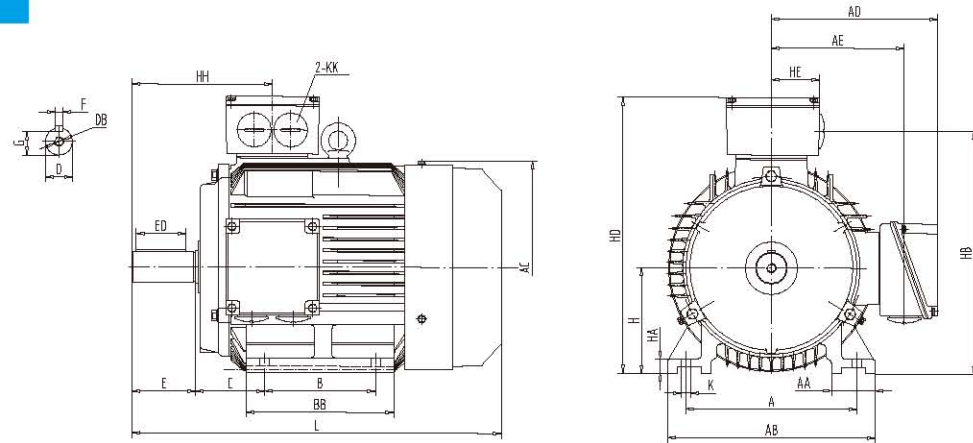
8 POLES -750RPM ASYNCHRONOUS SPEED 50Hz IE4

型号	功率 (kW)	额定转速 (r/min)	额定电流			效率			功率因数			堵转电流 / 额定电流	额定转矩 (N.m)	堵转转矩 / 额定转矩	最大转矩 / 额定转矩	惯量 (kg.m²)	噪音 dB(A)	净重 (kg)
			380V(A)	400V(A)	415V(A)	100	75	50	100	75	50							
Type	output (kW)	Speed (r/min)	Rated Current			Efficiency %FL			Power factor %FL			Ist/In	Tn (N.m)	Tst/Tn	Tmax/Tn	J (kg.m²)	Noise dB(A)	Weight (kg)
100L1-8	0.75	695	2.20	2.09	2.02	78.4	77.8	72.5	0.66	0.54	0.45	4.6	10.3	2.1	2.4	0.0125	55	45
100L2-8	1.1	695	3.09	2.93	2.83	80.8	79.9	75.2	0.67	0.55	0.46	4.6	15.1	2.2	2.4	0.0149	56	50
112M1-8	1.5	700	4.00	3.80	3.66	82.6	82.1	77.6	0.69	0.57	0.50	4.7	20.5	2.2	2.5	0.0245	60	66
132S-8	2.2	705	5.65	5.37	5.17	84.5	83.9	79.5	0.70	0.60	0.52	4.7	29.8	2.1	2.5	0.0652	63	77
132M-8	3	705	7.58	7.20	6.94	85.9	85.5	80.9	0.70	0.60	0.54	4.6	40.6	2.1	2.6	0.0872	64	88
160M1-8	4	715	9.8	9.3	9.0	87.1	86.5	82.5	0.71	0.62	0.54	4.5	53.4	2.2	2.5	0.1170	65	98
160M2-8	5.5	715	13.1	12.5	12.0	88.3	87.8	83.8	0.72	0.63	0.54	5.5	73.5	2.3	2.6	0.1352	68	118
160L-8	7.5	725	17.2	16.4	15.8	89.3	88.8	84.9	0.74	0.64	0.55	6.2	98.8	2.2	2.6	0.1458	68	148
180L-8	11	730	25.0	23.7	22.9	90.4	89.6	86.0	0.74	0.66	0.56	5.5	143.9	2.2	2.5	0.2990	70	195
200L-8	15	730	33.3	31.7	30.5	91.2	90.5	86.7	0.75	0.68	0.57	5.8	196.2	2.1	2.6	0.4285	70	250
225S-8	18.5	730	40.9	38.8	37.4	91.7	91.2	87.8	0.75	0.71	0.61	6.2	242.0	2.1	2.5	0.6345	70	315
225M-8	22	735	47.8	45.4	43.7	92.1	91.8	88.3	0.76	0.71	0.62	6.2	285.9	2.2	2.5	0.7156	73	370
250M-8	30	735	63.9	60.7	58.5	92.7	92.5	88.9	0.77	0.72	0.63	6.2	389.8	2.3	2.4	1.193	74	445
280S-8	37	740	77.4	73.5	70.9	93.1	92.8	89.5	0.78	0.73	0.64	6.4	477.5	2.1	2.2	2.235	75	570
280M1-8	45	740	93.9	89.2	85.9	93.4	92.9	90.6	0.78	0.74	0.65	6.4	580.7	1.9	2.5	2.998	75	690
315S-8	55	740	111.5	105.9	102.1	93.7	93.0	91.5	0.80	0.74	0.67	6.7	709.8	1.9	2.2	6.045	78	880
315M-8	75	740	151.2	143.7	138.5	94.2	93.5	92.0	0.80	0.75	0.69	6.7	967.9	2.0	2.4	6.542	78	1095
315L1-8	90	745	178.8	169.9	163.8	94.4	93.8	92.5	0.81	0.77	0.69	6.7	1153.7	1.8	2.2	7.136	80	1180
315L2-8	110	745	217.9	207.0	199.5	94.7	94.1	92.8	0.81	0.77	0.70	6.4	1410.1	1.8	2.5	8.369	81	1350
355M1-8	132	745	260.9	247.9	238.9	94.9	94.3	93.0	0.81	0.78	0.72	6.2	1692.1	1.7	2.3	13.72	82	1765
355M2-8	160	745	311.7	296.2	285.4	95.1	94.7	93.5	0.82	0.79	0.73	6.2	2051.0	1.6	2.3	15.43	82	1830
355L-8	200	745	388.5	369.0	355.7	95.4	94.9	93.5	0.82	0.80	0.74	6.3	2563.8	1.6	2.4	17.03	85	2050

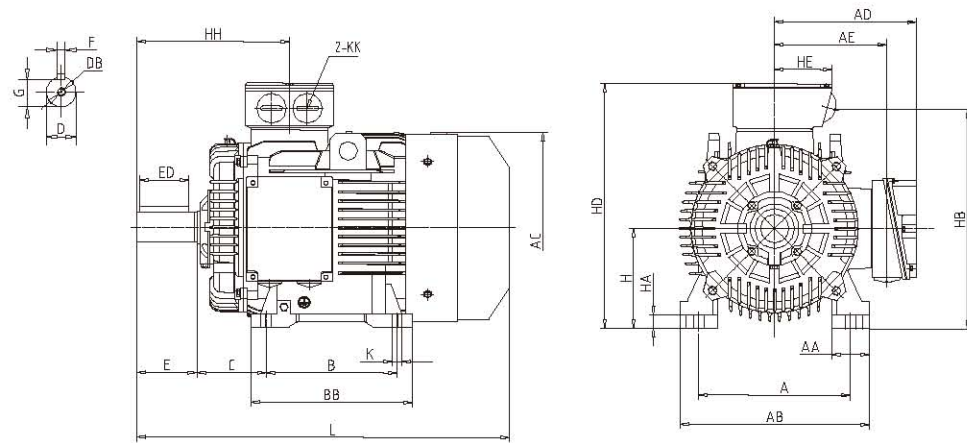
■ INL=No Load Current ■ IFL=Full Load Current ■ IST=Locked Rotor Current ■ TST=Locked Rotor Torque
 ■ TPU=Pull Up Torque ■ TM=Maximum Torque ■ TFL=Full Load Torque

DIMENSIONS FOOT MOUNT B3 IM1001

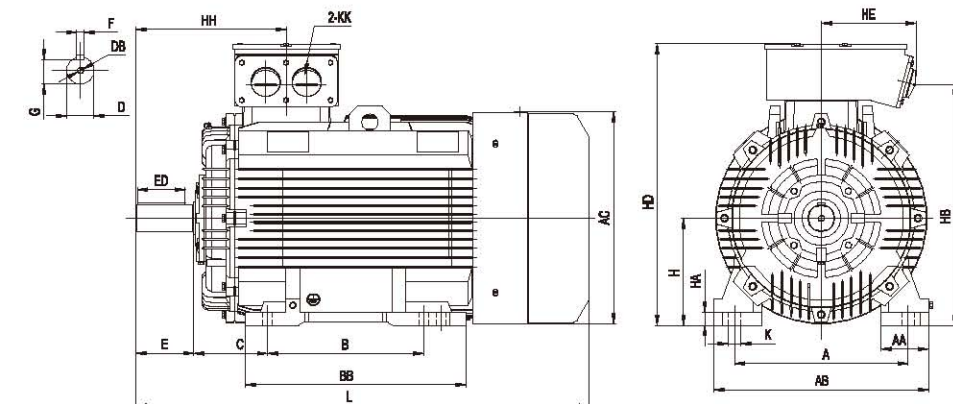
80~132



160~280



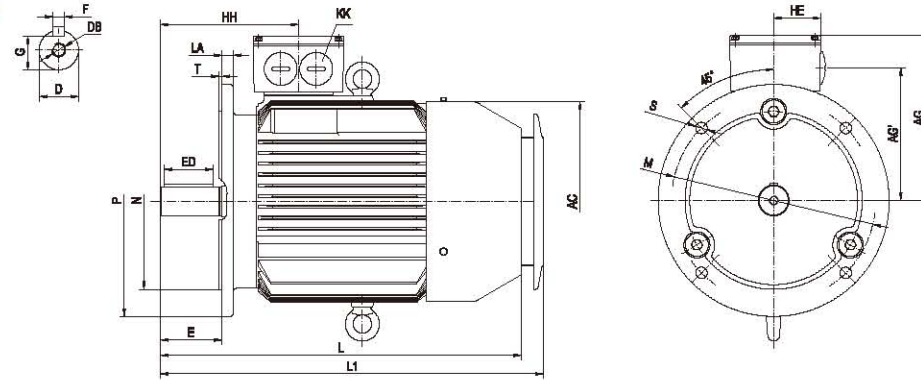
315~355



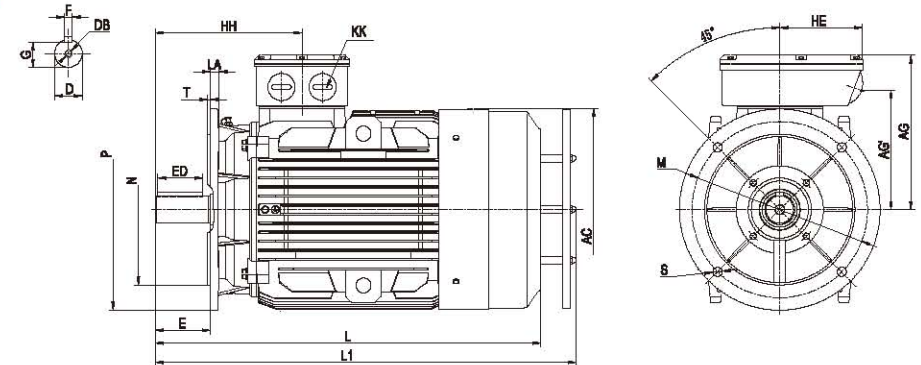
FRAME	A	AA	AB	AC	AD	AE	B	BB	C	D	DB	E	ED	F	G	H	HA	HB	HD	HE	HH	K	KK	L					
80M	125	34	165	156	145	115	100	130	50	19	M6X16	40	25	6	15.5	80	10	195	225	59	112	10	M25X1.5	310					
90S	140	36	180	176	155	115	100	140	56	24	M8X19	50	40	8	20	90	12	205	245	59	125	10	M25X1.5	350					
90L							125	165																375					
100L	160	40	200	200	170	128	140	176	63	28	M10X22	60	45	8	24	100	14	228	270	59	143	12	M25X1.5	430					
112M	190	45	226	220	198	153	140	180	70	28	M10X22	60	45	8	24	112	13	265	310	59	154	12	M32X1.5	400					
132S	216	55	262	260	218	173	140	186	89	38	M12X28	80	63	10	33	132	18	305	350	59	179	12	M32X1.5	470					
132M							178	224																510					
160M	254	65	314	320	270	205	210	268	108	42	M16x36	110	90	12	37	160	20	365	415	95	260	14.5	M40x1.5	625					
160L							254	312																670					
180M	279	70	349	355	285	220	241	296	121	48	M16X36	110	90	14	42.5	180	22	400	455	95	274	14.5	M40X1.5	700					
180L							279	335																740					
200L	318	72	380	405	325	255	305	366	133	55	M20X42	110	90	16	49	200	23	445	510	166	296	18.5	M50X1.5	780					
225S-4, 6, 8	356	85	430	480	340	270	286	356	149	55	M20X42	140	110	18	53	225	24	507	560	166	299	18.5	M50X1.5	329	820				
225M-2							311	381				820																	
225M-4, 6, 8							60	140				110	18	53	329									850					
250M-2	406	110	480	500	365	290	349	440	168	60	M20X42	140	110	18	53	250	35	560	620	185	355	24	M63X1.5	945					
250M-4, 6, 8							65	140				110	18	58	945														
280S-2	457	130	542	560	391	320	368	458	190	65	M20X42	140	110	18	58	280	33	600	675	185	360	24	M63X1.5	1020					
280S-4, 6, 8																									75	20	67.5	1070	
280M-2																									419	509	1070		
280M-4, 6, 8																									75	20	67.5	1070	
315S-2	508	140	628	625	406	590	457	645	216	65	M20x42	140	110	18	58	315	40	745	835	275	415	28	M63X1.5	1195					
315S-4, 6, 8												80	170	140	22									71	445	1225			
315M-2												65	140	110	18									58	415	1305			
315M-4, 6, 8												80	170	140	22									71	445	1335			
315L-2												65	140	110	18									58	415	1305			
315L-4, 6, 8												80	170	140	22									71	445	1335			
355M-2	610	160	740	698	560	850	254	75	M24x50	75	140	110	20	67.5	355	55	838	1060	450	415	28	M63X1.5	1595						
355M-4, 6, 8																							95	170	140	25	86	445	1625
355L-2																							75	140	110	20	67.5	415	1595
355L-4, 6, 8																							95	170	140	25	86	445	1625

DIMENSIONS FLANGE MOUNT B5/V1 IM3001

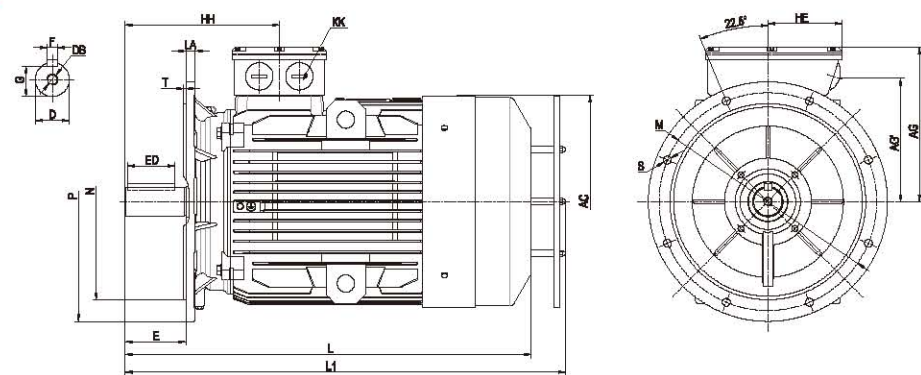
80~132



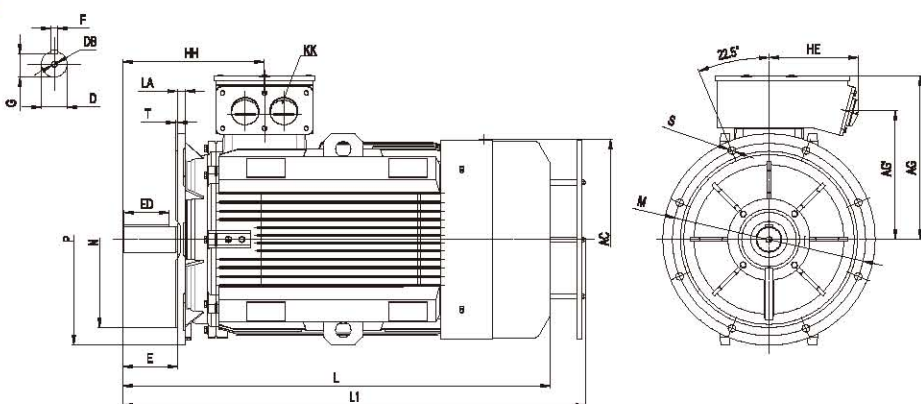
160~200



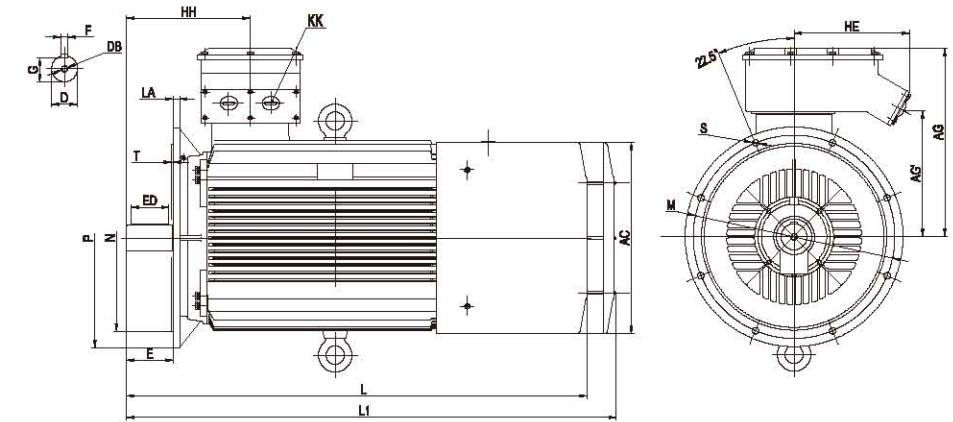
225~280



315



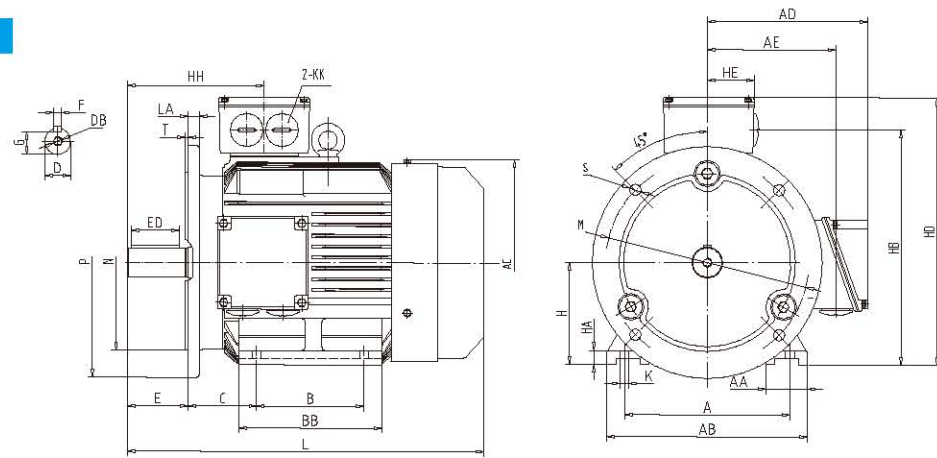
355



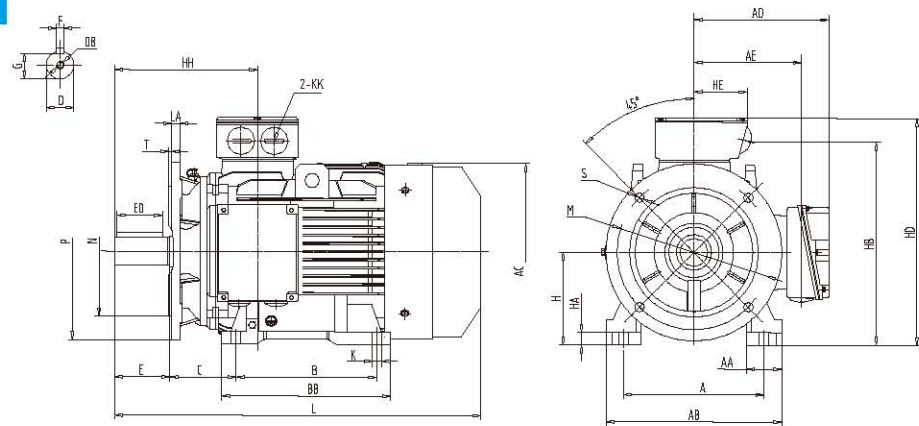
FRAME	AC	AG	AG'	D	DB	E	ED	F	G	HE	HH	KK	L	L1	LA	M	N	P	S	T			
80M	156	145	115	19	M6X16	40	25	6	15.5	59	112	M25X1.5	310	355	12	165	130	200	4×12	3.5			
90S	176	155	115	24	M8X19	50	40	8	20	59	125	M25X1.5	350	405	12	165	130	200	4×12	3.5			
90L													375	430									
100L	200	170	128	28	M10X22	60	45	8	24	59	143	M25X1.5	430	485	14	215	180	250	4×14.5	4			
112M	220	198	162	28	M10X22	60	45	8	24	59	154	M32X1.5	400	465	14	215	180	250	4×14.5	4			
132S	260	218	173	38	M12X28	80	63	10	33	59	179	M32X1.5	470	535	14	265	230	300	4×14.5	4			
132M													510	575									
160M	320	255	215	42	M16x36	110	90	12	37	95	260	M40x1.5	625	690	15	300	250	350	4×18.5	5			
160L													670	735									
180M	355	275	220	48	M16X36	110	90	14	42.5	95	274	M40X1.5	700	775	18	300	250	350	4×18.5	5			
180L													740	815									
200L	405	310	245	55	M20X42	110	90	16	49	166	296	M50X1.5	780	855	18	350	300	400	4×18.5	5			
225S-4, 6, 8	460	330	282	60	M20X42	140	110	18	53	166	299	M50X1.5	820	895	20	400	350	450	8×18.5	5			
225M-2				55																			
225M-4, 6, 8				60																			
250M-2	500	370	310	60	M20X42	140	110	18	53	185	355	M63X1.5	945	1020	22	500	450	550	8×18.5	5			
250M-4, 6, 8				65				18	58														
280S-2	560	395	320	65	M20X42	140	110	18	58	185	360	M63X1.5	1020	1095	22	500	450	550	8×18.5	5			
280S-4, 6, 8				75				20	67.5														
280M-2				65				18	58														
280M-4, 6, 8				75				20	67.5														
315S-2	625	520	430	65	M20x42	140	110	18	58	275	415	M63X1.5	1195	1270	24	600	550	660	8×24	6			
315S-4, 6, 8				80				170	140												22	71	445
315M-2				65				140	110												18	58	415
315M-4, 6, 8				80				170	140												22	71	445
315L-2				65				140	110												18	58	415
315L-4, 6, 8				80				170	140												22	71	445
355M-2	698	645	550	75	M24x42	140	110	20	67.5	436	424	M63X1.5	1510	1585	24	740	680	800	8×24	6			
355M-4, 6, 8				95				170	140												25	86	454
355L-2				75				140	110												20	67.5	424
355L-4, 6, 8				95				170	140												25	86	454

DIMENSIONS FOOT AND FLANGE MOUNT B35 IM2001

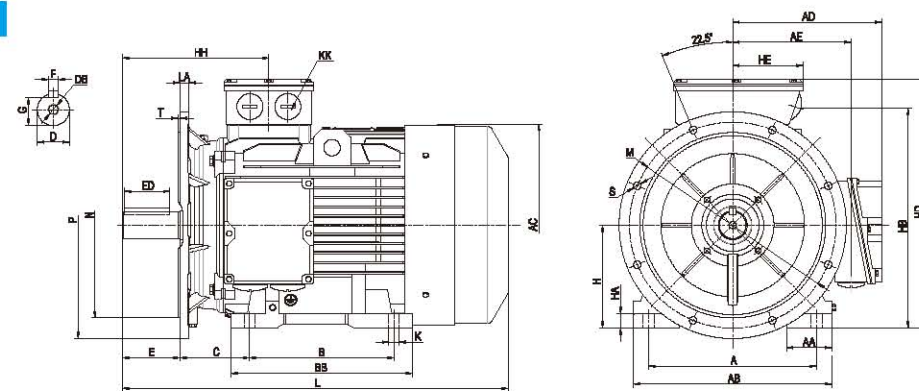
80~132



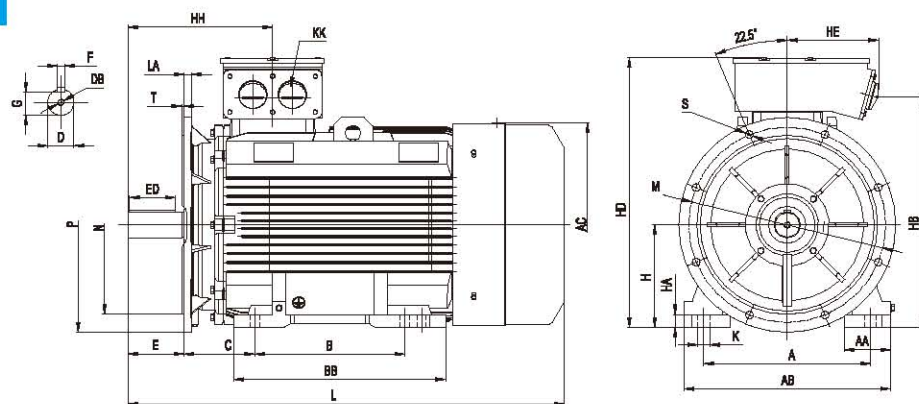
160~200



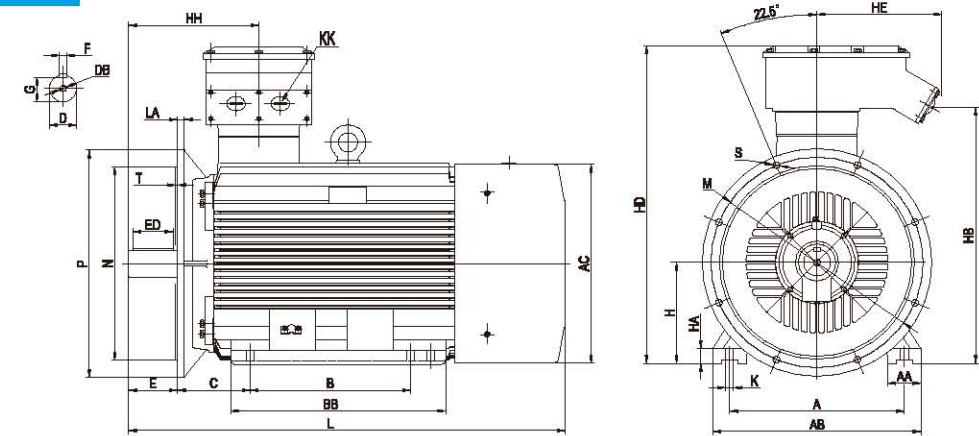
225~280



315



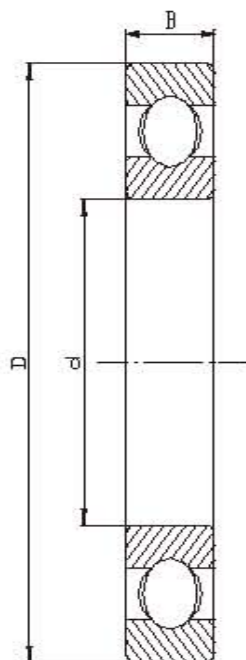
355



FRAME	A	AA	AB	AC	AD	AE	B	BB	C	D	DB	E	ED	F	G	H	HA	HB	HD	HE	HH	K	KK	L	LA	M	N	P	S	T
80M	125	34	165	156	145	115	100	150	50	19	M6X16	40	25	6	15.5	80	10	195	225	59	112	10	M25X1.5	310	12	165	130	200	4X12	3.5
90S	140	36	180	176	155	115	100	180	56	24	M8X19	50	40	8	20	90	12	205	245	59	125	10	M25X1.5	350	12	165	130	200	4X12	3.5
90L							125	205																375						
100L	160	40	200	200	170	128	140	203	63	28	M10X22	60	45	8	24	100	14	228	270	59	143	12	M25X1.5	430	15	215	180	250	4X14.5	4
112M	190	45	226	220	198	153	140	180	70	28	M10X22	60	45	8	24	112	13	265	310	59	154	12	M32X1.5	400	14	215	180	250	4X14.5	4
132S	216	55	262	260	218	173	140	186	89	38	M12X28	80	63	10	33	132	18	305	350	59	179	12	M32X1.5	470	14	265	230	300	4X14.5	4
132M							178	224																510						
160M	254	65	314	320	270	205	210	268	108	42	M16x36	110	90	12	37	160	20	365	415	95	260	14.5	M40x1.5	625	15	300	250	350	4X18.5	5
160L							254	312																670						
180M	279	70	349	355	285	220	241	296	121	48	M16X36	110	90	14	42.5	180	22	400	455	95	274	14.5	M40X1.5	700	18	300	250	350	4X18.5	5
180L							279	335																740						
200L	318	72	380	405	325	255	305	366	133	55	M20X42	110	90	16	49	200	23	445	510	166	296	18.5	M50X1.5	780	18	350	300	400	4X18.5	5
225S-4, 6, 8	356	85	430	460	340	270	286	356	149	55	M20X42	110	90	18	49	225	24	507	560	166	299	18.5	M50X1.5	820	20	400	350	450	8X18.5	5
225M-2							311	381																820						
225M-4, 6, 8							60	140																850						
250M-2	406	110	480	500	365	290	349	440	168	60	M20X42	140	110	18	53	250	35	560	620	185	355	24	M63X1.5	945	22	500	450	550	8X18.5	5
250M-4, 6, 8							65	18																850						
280S-2	457	130	542	560	391	320	368	458	190	75	M20X42	140	110	20	67.5	280	33	600	675	185	360	24	M63X1.5	1020	22	500	450	550	8X18.5	5
280S-4, 6, 8							75	18																1070						
280M-2							65	18																1070						
280M-4, 6, 8							75	20																1070						
315S-2	508	140	628	625	457	216	406	590	216	65	M20x42	140	110	18	58	315	40	745	835	275	28	M63X1.5	1195	24	600	550	660	8X24	6	
315S-4, 6, 8							80	22															1225							
315M-2							65	18															1305							
315M-4, 6, 8							80	22															1335							
315L-2							65	18															1305							
315L-4, 6, 8							80	22															1335							
355M-2	610	116	726	698	560	254	406	590	254	75	M24x42	140	110	20	67.5	355	52	830	1040	438	28	M63X1.5	1510	24	740	680	800	8X24	6	
355M-4, 6, 8							95	25															1540							
355L-2							75	20															1510							
355L-4, 6, 8							95	25															1540							

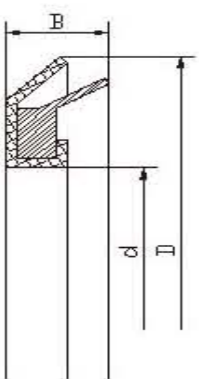
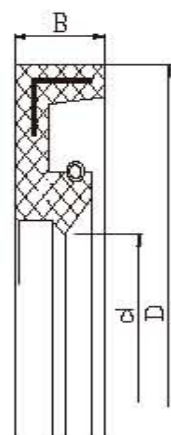
BEARING & OIL SEALS INFORMATION 轴承和油封

BEARING DATA



FRAME	DE	d	D	B	NDE	d	D	B
80	6204ZZGM	20	47	14	6204ZZGM	20	47	14
90	6205ZZGM	25	52	15	6205ZZGM	25	52	15
100	6206ZZGM	30	62	16	6206ZZGM	30	62	16
112	6206ZZGM	30	62	16	6206ZZGM	30	62	16
132	6208ZZGM	40	80	18	6208ZZGM	40	80	18
180	6309C3	45	100	25	6309C3	45	100	25
180	6311C3	55	120	29	6311C3	55	120	29
200	6312C3	60	130	31	6312C3	60	130	31
225	6313C3	65	140	33	6313C3	65	140	33
250	6314C3	70	150	35	6314C3	70	150	35
280-2	6314C3	70	150	35	6314C3	70	150	35
280-4, 6, 8	6317C3	85	180	41	6317C3	85	180	41
315-2	6317C3	85	180	41	6317C3	85	180	41
315-2 V1	6317C3	85	180	41	7317B	85	180	41
315-4, 6, 8	6319C3	95	200	45	6319C3	95	200	45
315-4, 6, 8 V1	6319C3	95	200	45	7319B	95	200	45
355-2	6319C3	95	200	45	6319C3	95	200	45
355-2 V1	6319C3	95	200	45	7319B	95	200	45
355-4, 6, 8	MJ322C3	110	240	60	6322C3	110	240	50
355-4, 6, 8 V1	MJ322C3	110	240	50	7322B	110	240	50

OIL SEAL DATA



FRAME	DE	d	D	B	NDE	d	D	B
80	FB20*35*7	20	36	7	FB20*35*7	20	35	7
90	FB25*45*7	25	40	7	FB25*45*7	25	40	7
100	FB30*42*7	30	42	7	FB30*42*7	30	42	7
112								
132	FB40*55*8	40	55	8	FB40*55*8	40	55	8

FRAME	DE	d	D	B	NDE	d	D	B
180	RB45*82*4.5	44.7	82	8	RB45*82*4.5	44.7	82	8
180	RB55*75*5.5	54.7	75	7	RB55*75*5.5	54.7	75	7
200	RB60*80*5.5	59.7	80	7	RB60*80*5.5	59.7	80	7
225	RB65*85*5.5	64.7	85	7	RB65*85*5.5	64.7	85	7
250	RB70*90*5.5	69.7	90	7	RB70*90*5.5	69.7	90	7
280-2								
280-4, 6, 8	RB85*105*5.5	84.7	105	7	RB85*105*5.5	84.7	105	7
315-2								
315-4, 6, 8	RB95*115*5.5	84.7	115	7	RB95*115*5.5	84.7	115	7
355-2								
355-4, 6, 8	RB110*130*5.5	109.7	130	8	RB110*130*5.5	109.7	130	8

YD series multi-speed three-phase induction motor

Frame	H80 ~ H280
Power	0.18 ~ 90kW
Pole	2/4, 4/6, 4/8, 6/12, 2/4/16, 4/8/24
Voltage	220 ~ 525/380 ~ 910V
Frequency	50Hz, 60Hz
Protection Class	IP54; IP55
Insulation Class	B, F, H
Ambient Temp.	-15 ~ +40°C
Altitude	≤1000m



MYVP series inverter three-phase induction motor

Frame	H80 ~ H400
Output	0.55 ~ 630kW
Pole	2, 4, 6, 8, 10
Voltage	220 ~ 525V
Frequency	5-100 Hz
Protection Class	IP54; IP55; IP56
Insulation Class	B, F, H
Ambient Temp.	-15 ~ +40°C
Altitude	≤1000m



YEJ series DC brake three-phase induction motor

Frame	H80 ~ H225
Output	0.55 ~ 45kW
Pole	2, 4, 6, 8
Voltage	220 ~ 525/380 ~ 910V
Frequency	50Hz, 60Hz
Protection Class	IP44
Insulation Class	B, F, H
Ambient Temp.	-15 ~ +40°C
Altitude	≤1000m



1SWM series steel body three-phase induction motor

Frame	H132 ~ H280
Power	7.5 ~ 75kW
Pole	4, 6
Voltage	380 ~ 525V/660 ~ 1000V
Frequency	50Hz
Protection Class	IP54; IP55
Insulation Class	F, H
Ambient Temp.	-15 ~ +40°C
Altitude	≤ 1000m



PAD series three-phase induction motor

Frame	H225 ~ H280
Output	37 ~ 110kW
Speed	300~600RPM
Voltage	220 ~ 525/380 ~ 910V
Protection Class	IP55; IP56
Insulation Class	F, H
Ambient Temp.	-15 ~ +40°C
Altitude	≤ 1000m



Special series Induction motor

Frame	H80 ~ H315
Output	0.75 ~ 200kW
Pole	2, 4, 6, 8, 10
Voltage	220 ~ 525/380 ~ 910V
Frequency	50Hz, 60Hz
Protection Class	IP55; IP56
Insulation Class	F, H
Ambient Temp.	-15 ~ +40°C
Altitude	≤ 1000m



Direct drive screw pump motor

Frame	H225 ~ H280
Output	37 ~ 110kW
Speed	300~600RPM
Voltage	220 ~ 525/380 ~ 910V
Protection Class	IP55; IP56
Insulation Class	F, H
Ambient Temp.	-15 ~ +40°C
Altitude	≤ 1000m



2BV SERIES MOTOR FOR VACUUM PUMP

TYPE 80-180

FRAME SIZE	H80 ~ 180
RATED POWER	0.81kW ~ 18.5kW
DEGREES OF EFFICIENCY	IE2, IE3
DEGREES OF PROTECTION	IP55
DEGREES OF INSULATION	F / B



High Temperature Fire-fighting Motor

Rated voltage	220/380V, 380/660V, 400/690V and so on
Rated frequency	50Hz/60Hz
Construction	80~450
Duty	S1 at normal temperature, 60minutes in 300°C ambient temperature
Cooling	IC411 or IC418
Protection Degree	IP44
Insulation Class	Class F(155°C), Class H(180°C), Class C(200°C)
Temperature rise	Class B

