

**MODEL****A23**

Black



Red



Blue



Purple



White

**1 MATERIAL**

- RoHS approved ChiMei Polycarbonate (Optional)
- UL/RoHS approved ChiMei Acrylate Styrene Acrylonitrile (Default)
- PC copolymer with enhanced UV stabilization Lexan Resin SLX2432T (Optional)
- Explosion-proof Carbon loaded ABS and flame resistant ABS material are available

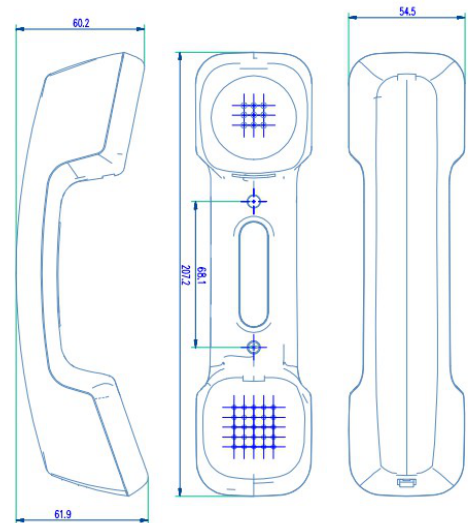
**2 SPECIFICATION**

Waterproof Grade	IP65
Ambient Noise	≤60dB
SLR	5~15dB
RLR	-7~2dB
STMR	≥7dB
Working Temperature	-30℃ ~ +50℃
Relative Humidity	≤95%
Atmospheric Pressure	80Kpa-110Kpa
Certification	CE approved

### 3 RECEIVER

- Standard Receiver-Dynamic EA1503 (Default)
  - DC Resistance :  $130\pm 10\%$  ohm
  - Frequency Response Range: 300 Hz-3400 Hz
  - Sensitivity:  $95\pm 3$  dB at 60mv
  - Impedance:  $150\pm 20\%$  ohm at 1 KHz
- EA1509 high magnetic receiver (Optional)
  - MF Intensity Axial:  $-58\pm 2$ dB at 1KHz 60mV, 0 dB=1 A/m
  - Frequency Response Range: 300 Hz-3400 Hz
  - Sensitivity:  $100\pm 2$  dB at 60mv
  - Impedance:  $150\pm 20\%$  ohm at 1 KHz
- EA1512 hearing-aid receiver (Optional)
  - MF Intensity radial  $\geq -22$ dB at 1KHz, 0 dB=1 A/m
  - Frequency Response Range: 300 Hz-3400 Hz
  - Sensitivity:  $98\pm 2$  dB at 1 Hz 60mV
  - Impedance:  $150\pm 20\%$  ohm at 1 KHz 60mV

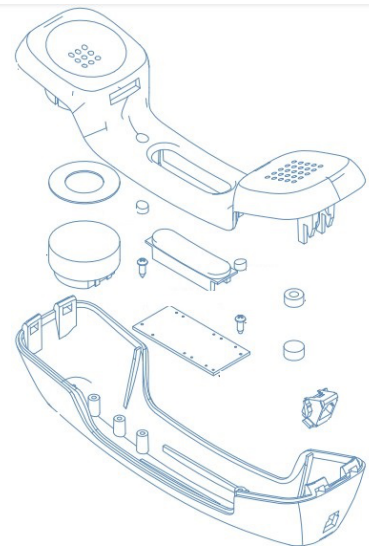
### 4 DIMENSION DRAWING



### 5 MICROPHONE

- Standard Microphone-EB5421 Electret Microphone (Default)
  - Sensitivity:  $-34\pm 2$  dB
  - Impedance: 2.2K ohm Maximum
  - Directivity: Omni-directional
  - S/N Ratio: 6 dB Minimum at 1 KHz, 1Pa

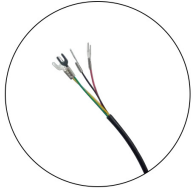
### 6 STRUCTURE DRAWING



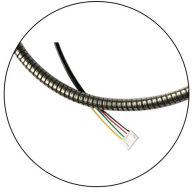
### 7 CORD

- PVC curly cord (Default)
  - Standard cord length 9 inch in retracted, 6 feet after extended (Default)
  - Customized different length is available.
- Weather resistant PVC curly cord (Optional)
- Hytrel curly cord (Optional)

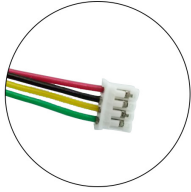
8 CONNECTOR



Y Spade



2.54mm XH Plug



2.0mm PH Plug



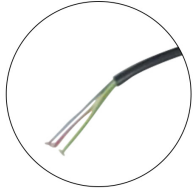
RJ Connector



3.5mm Two-audio Jack



Single Audio Jack



Bare Wire



Aviation Connector



Aviation Connector



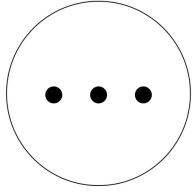
Aviation Connector



6.35mm Audio Jack

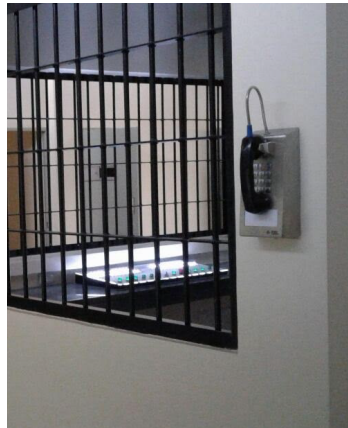


USB Connector



More

9 APPLICATION



This handset is mainly for access control system telecommunication, industrial telephone, vending machine communication, security system and some other public facilities.