



Fenko

Address:
No.111, ZhouXiang Town,
Ningbo City, China

Cell Phone Number:+86 13429331271/86-18868808484

Fax: /kane.wang.549

E-mail:sales@cixifenkohardware.com

Contact Person:Kane Wang

Skype:cixifenko

Website:www.cixifenkohardware.com

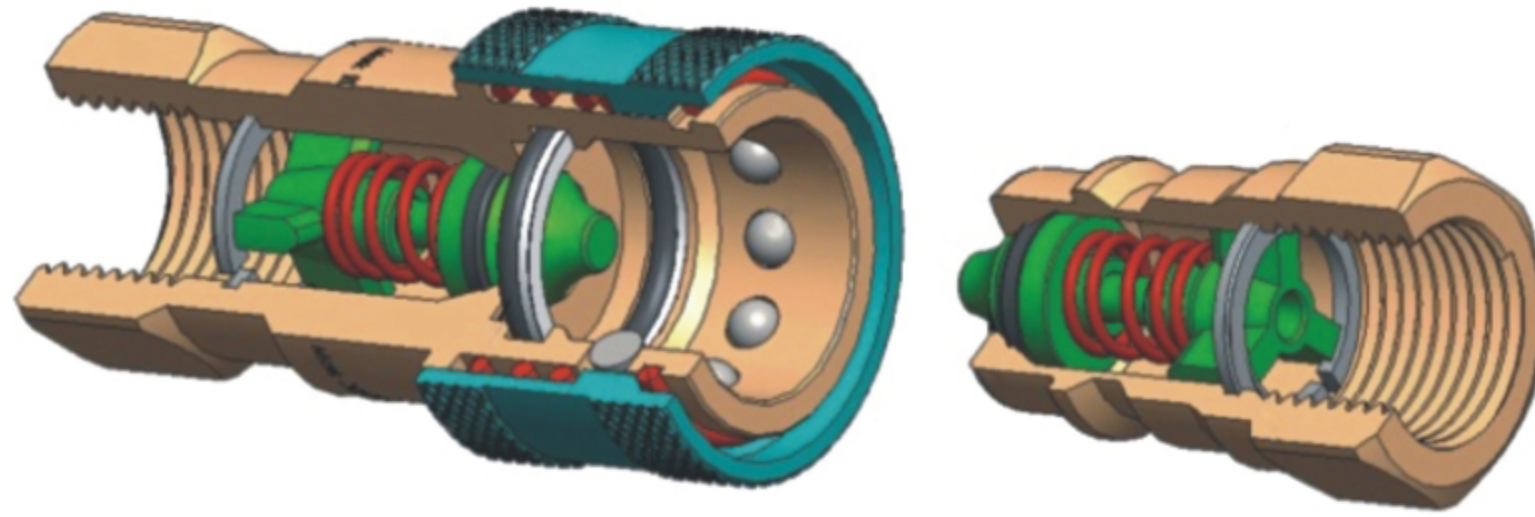


慈溪丰歌汽车零部件有限公司
Cixi Fenko Auto Parts Co., Ltd



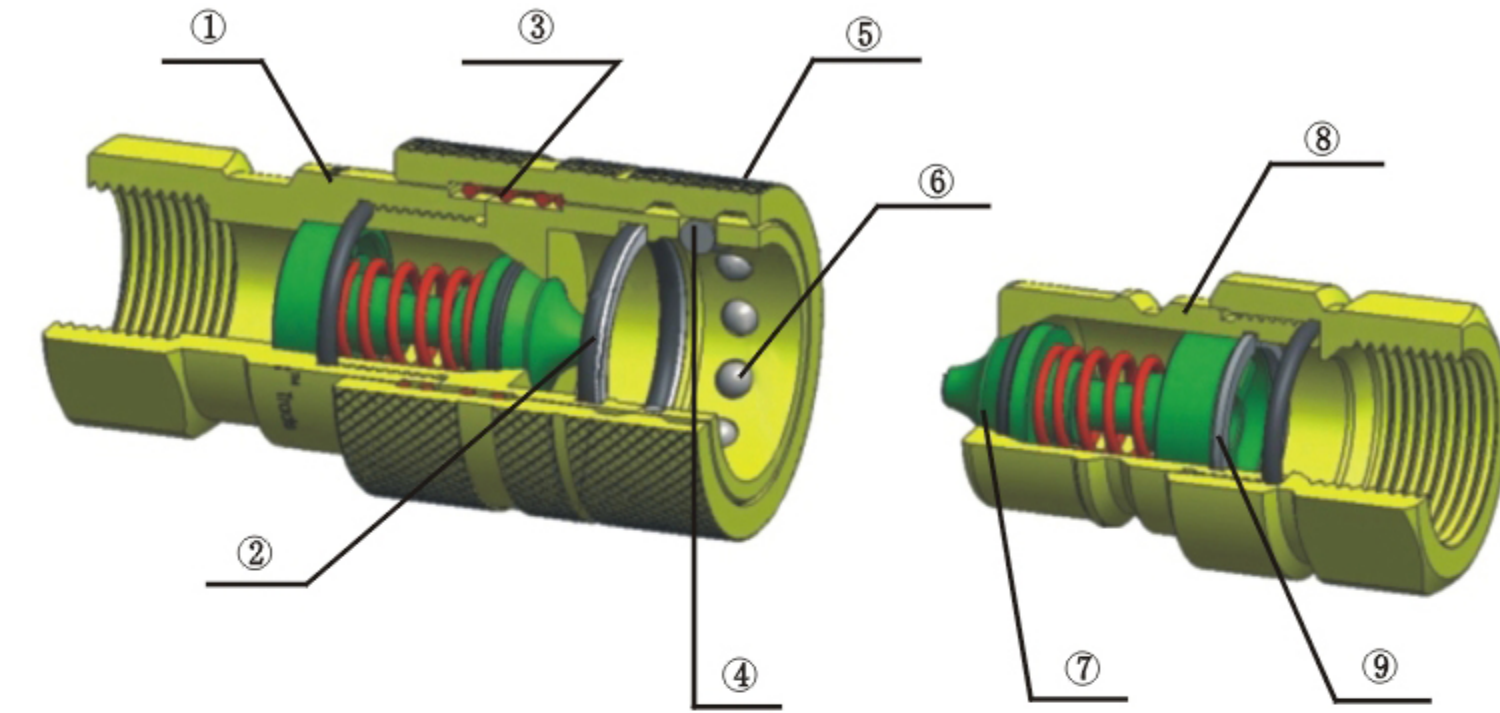
► **HYDRAULIC QUICK COUPLINGS**
EXCLUSIVE PROFESIONAL MANUFACTURER

/2019



质量介绍/Quality Illustrate

- ▶ Coupler and nipple are precision machined from solid bar for MAX resistance to damage by hydraulic surges and crash
- ▶ Valve seal was build-in the metal part to prevent seal wash out at high pressure
- ▶ Double shut-off construction to prevent uncoupled leakage, easy for maintenance
- ▶ PTFE back-up washer protect NBR body seal extruding against high pressure
- ▶ Wide range of body size, material and thread end from DN2.3 to DN25 are available ,normally is NPT, BSPP. Etc
- ▶ Various seal are available , normal one is NBR, other seal for special medium and temperature also available like VITON
- ▶ Proven ball locking mechanism with large numbers of hardened steel locking balls distribute the load evenly to resist wear and provide positive connection, the ball locking mechanism also provides accurate alignment and allows a swiveling action to reduce hose torque
- ▶ Knurling sleeve provide a gripping surface for ease draw-back
- ▶ Precise tooling make sure the flow smooth ,minimize the flow drop
- ▶ Precision Guidevalve maintain valve alignment ensure that the valves open fully
- ▶ Carbon steel Spring with high tensile
- ▶ High quality Zinc plated protect products from terrible environment effectively
- ▶ 母体和公接均采用实心棒料加工，易磨部份淬火处理极大提升产品耐磨和冲击性能
- ▶ 双密封结构，在拆卸的情况下防止介质流出，方便维护
- ▶ PTFE支撑垫良好的保护了阀体密封圈，防止在高压情况下弹出
- ▶ 提升阀采用内嵌式密封结构，防止高压情况下弹出
- ▶ 高精度的加工，保证介质顺畅流通，减少因表面粗糙引起的漩涡，导致压力损失
- ▶ 精密的设计和加工保证两个提升阀完全对中，确保联接时完全打开
- ▶ 耐用球锁机构，数颗淬火硬化钢球均匀的分散了工作应力，确保高压工作下也能可靠连接，公接头连接后在无压情况下可以转动以较直管子
- ▶ 优质的镀锌处理确保产品在恶劣的环境下也能很好的保护产品
- ▶ 可与PARKER ,FCEJN 互换
- ▶ 在断开的情况下，推荐使用防尘套
- ▶ 释放环经由滚花加工，更好的实行松开操作
- ▶ 阀采用坚硬的铬合金钢球，钢球被弹簧加载以使阀牢固的固定在阀座处



产品构成/Parts

- | | |
|-----------------|--|
| ▶ ① 母体 | ▶ ① Coupler Zinc plated steel |
| ▶ ② O形圈和PTFE支撑环 | ▶ ② NBR and back-up ring(PTFE)to withstand flow surges |
| ▶ ③ 套圈弹簧 | ▶ ③ Sleeve coil spring |
| ▶ ④ 挡圈 | ▶ ④ Check ring |
| ▶ ⑤ 套圈 | ▶ ⑤ Single acting sleeve |
| ▶ ⑥ 钢珠锁紧 | ▶ ⑥ Ball locking mechanism |
| ▶ ⑦ 锥阀 | ▶ ⑦ Poppet style valving |
| ▶ ⑧ 插头体 | ▶ ⑧ Nipple Zinc plated steel |
| ▶ ⑨ 挡圈 | ▶ ⑨ Check ring |

如何选型/How to choose

- ▶ What are the functional requirements of the coupling?
- ▶ What is the maximum working pressure of the application?
- ▶ Which seals and body material are the compatible with the system?s fluid?
- ▶ Is the application static or dynamic?
- ▶ What is the flow is required?
- ▶ What is the maximum pressure drop suitable for the application?
- ▶ Does the application require the ability to connect and disconnect under pressure?
- ▶ What is the media temperature and ambient temperature?
- ▶ 产品的用途？
- ▶ 使用中设备达到的最大压力？
- ▶ 系统或设备需要怎样的接头材料和密封件/
- ▶ 设备是静态还是运动的？
- ▶ 系统所需要的流量？
- ▶ 系统能接受的最大压降是多少？
- ▶ 系统或设备有无对负压状况下实行断开连接的要求？
- ▶ 介质的温度？



液压快速接头互换表 Hydraulic Quick Couplings Interchange Sheet

帕克型号 Poolke Series	标准 Standards	材料Materials			密封方式Shut-off		派克 Parker	汉森 Hansen	塔海尔 Huthill	日东 Nitto	FOSTER	FASTER	CEJN
		碳钢 Steel	黄铜 Brass	不锈钢 Stainless	单密封 One way shut-off	双密封 Two way shut-off							
S1	ISO7241-A	●	●	●		●	6600	HAI5000	K-8000	280	A	ANV	X95
S2	ISO7241-B	●	●	●		●	60	Bx-H	H-5000	250	Hx-S	HNV	X75
S5	ISO5675	●				●	4000		H-55000			NS	
KZE-B		●				●	3000	W-56000	W-6000			PVVM	
PT	ISO16028	●		●		●	FE/FF	QA2900	FF		FF	FF	X62
S4	ISO5675	●				●	4000		H-55000			NS	
KZD	ISO7241-B		●			●	60	HK	H-5000	SP-V	Hx-B	HNV	X74
KZF	ISO7241-B			●		●	60	HK	H-5000	SP	Hx-SS	HNV	X76
KZE		●				●							
Q/ZB275		●				●							

Series S1 ISO A 液压快速接头 ISO A Hydraulic Quick Couplings



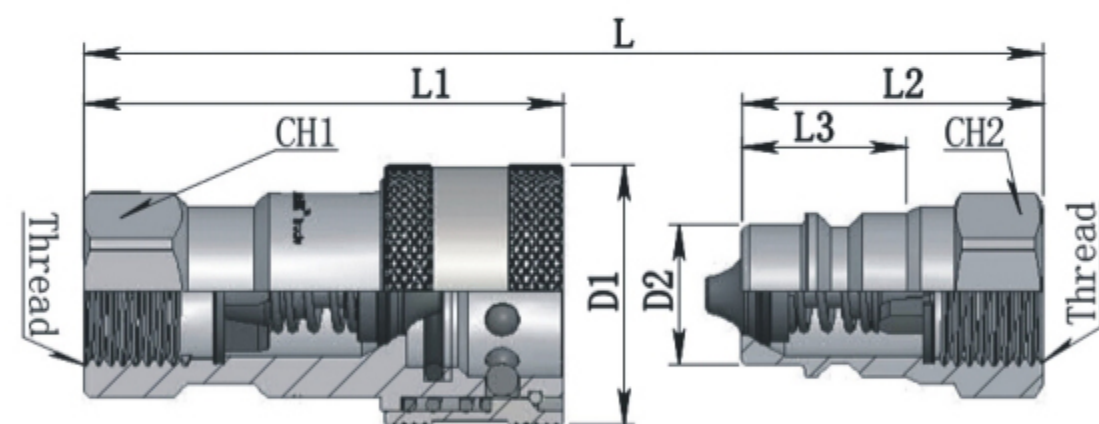
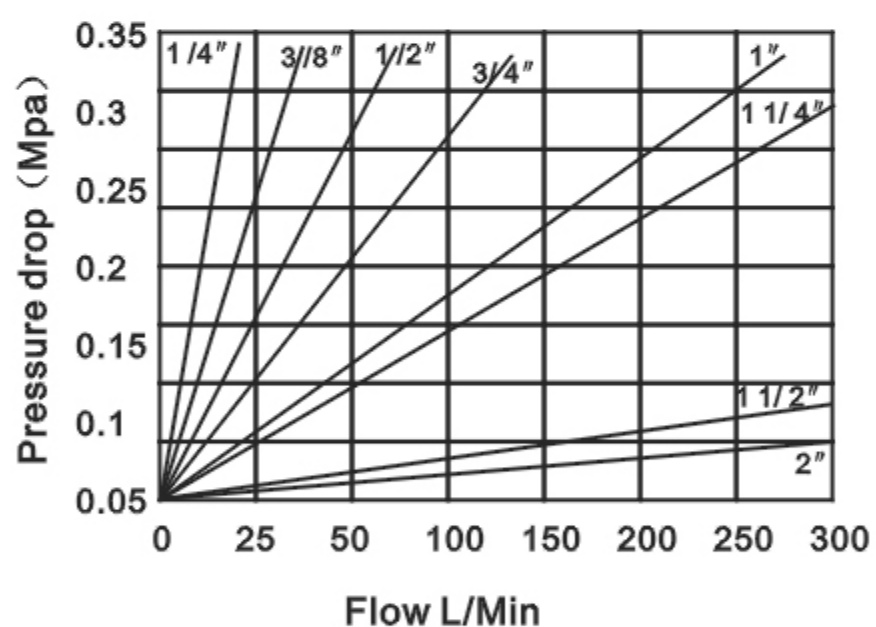
- 符合ISO7241-A标准
- 双密封结构,在拆卸的情况下防止介质流出,方便维护
- 母体和公接均采用实心棒料加工,易磨部份淬火处理极大提升产品耐磨和冲击性能
- 耐用球锁机构,数颗淬火硬化钢球均匀的分散了工作应力,确保高压工作下也能可靠连接,公接头连接后在无压情况下可以转动以较直管子
- 高精度的加工,保证介质顺畅流通,减少因表面粗糙引起的漩涡,导致压力损失
- 可与PARKER 6600, HANSEN HA 15000, FASTER ANV, CEJN X95互换

- Comply to ISO7241-A standard
- Double shut-off construction to prevent uncoupled leakage, easy for maintenance
- Coupler and nipple are precision machined from steel solid bar and wear point hardened for resistance to damage by hydraulic surges and crash
- A great number of hardened ball distribute the workload evenly and resist wear and provide positive connections
- Precise tooling make sure the flow smooth, minimize the flow drop
- Interchangeable with PARKER6600, HANSEN HA 15000, FASTER ANV, CEJN X95



技术规范SPECIFICATIONS

规格(英寸)Body Size(Inch)	1/4	3/8	1/2	3/4	1	1-1/4	1-1/2	2
额定压力(Mpa)Rated Pressure	34.5	27.6	27.6	17.3	13.8	7	7	7
额定流量(L/Min)Rated Flow	11	22	45	105	185	295	350	700
温度范围(丁腈) Temperture Range (NBR)	-20°C~ + 80°C							



PART NO .	ISO	Thread	L	L1	L2	D1	D2	Ch1	Ch2
S1-G02	6.3	G1/4	71	50	35.5	26	11.8	19	19
S1-G03	10	G3/8	76	56	36.5	31.5	17.2	22	22
S1-G04	12.5	G1/2	90	66	44	39	20.5	27	27
S1-G06	20	G3/4	108	80	56	48	29	34	34
S1-G08	25	G1	119	93.5	59.5	58	34.3	41	41
S1-G10	31.5	G1-1/4	140	105	70	69	45	50	50
S1-G12	40	G1-1/2	150	115	75	74	50	56	56
S1-G16	50	G2	216	131	82	94	65.1	77	77

Series S2 ISO B 液压快速接头 ISO B Hydraulic Quick Couplings



- 符合ISO7241-B标准
- 双密封结构,在拆卸的情况下防止介质流出,方便维护,且比ISO7241-A系列有更大的流量
- 母体和公接均采用实心棒料加工,易磨部份淬火处理极大提升产品耐磨和冲击性能
- 精密的设计和加工保证两个提升阀完全对中,确保联接时完全打开
- PTFE支撑垫良好的保护了阀体密封圈,防止在高压情况下挤出
- 可与PARKER 60, HANSEN BX-75, FASTER HNV, CEJN X95互换

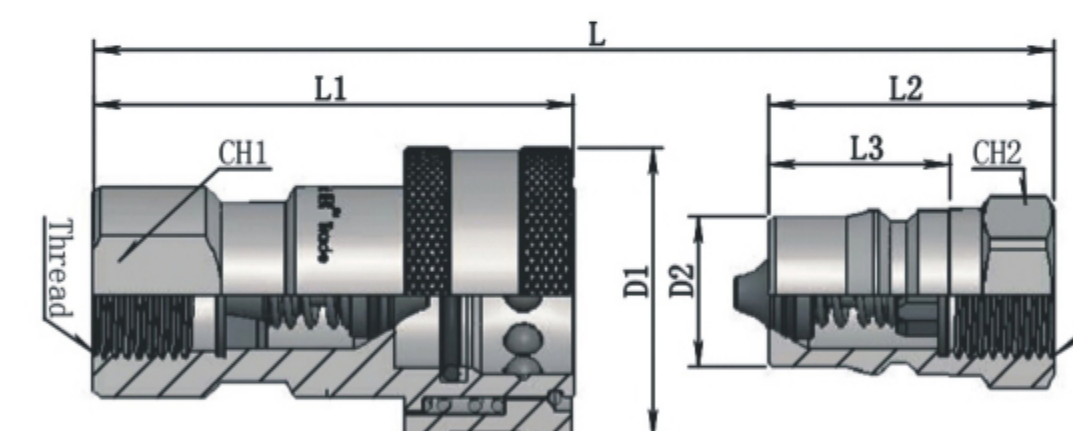
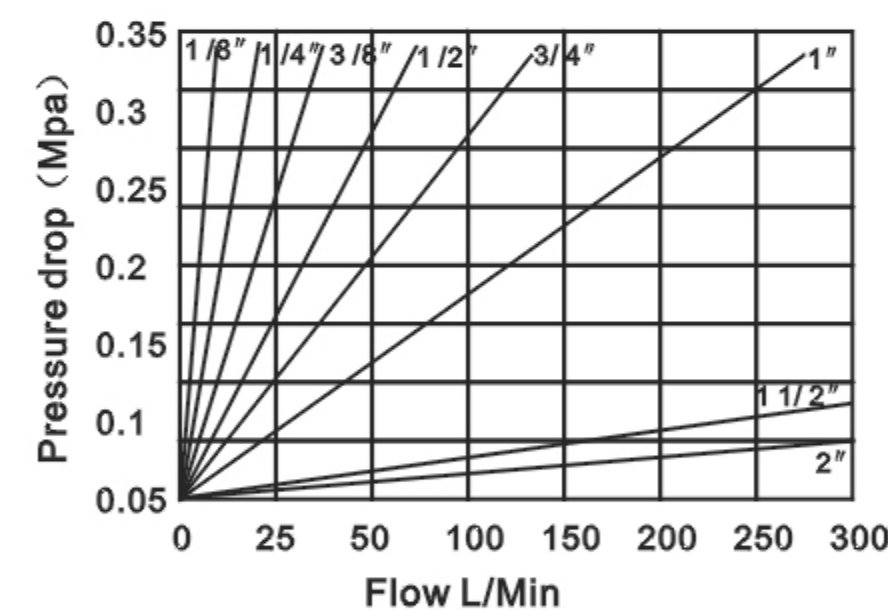
- Comply to ISO7241-B standard
- Robust design offers a long trouble free service even in rugged condition
- Large flow areas machined into the body of the Coupler and nipple facilitate flow around the valve for a higher flow capacity than ISO7241-A
- Precision Guidevalve alignment the valve and ensure that the valves open fully
- PTFE back-up washer protect NBR body seal extruding against high pressure
- Interchangeable with PARKER 60, HANSEN BX-75, FASTER HNV, CEJN X95



技术规范SPECIFICATIONS

规格(英寸)Body Size(In)	1/8	1/4	3/8	1/2	3/4	1	1-1/2	2
额定压力(Mpa)Rated Pressure	34.5	34.5	27.6	27.6	17.3	13.8	7	7
额定流量(L/Min)Rated Flow	3	12	25	45	105	185	378	750
温度范围(丁腈) Temperture Range (NBR)	-20°C~ + 80°C							

可选氟胶密封圈



PART NO .	ISO	Thread	L	L1	L2	L3	D1	D2	Ch1	Ch2
S2-G01	5	NPT	58.5	48	31	20.5	24	10.9	17	17
S2-G02	6.3	G1/4	72	58	36	22.5	28.5	14.2	19	19
S2-G03	10	G3/8	80.5	65	40	25	35	19.1	24	24
S2-G04	12.5	G1/2	96	77	46.5	28	44.5	23.5	28	28
S2-G06	20	G3/4	112	92	56	36	54	31.4	36	36
S2-G08	25	G1	125	103	63	45	63.5	37.8	41	41
S2-G10	32.5	G1-1/4	180	114	108	42	76	44.5	60	60
S2-G12	40	G1-1/2	200	122	120	42	76	44.5	67	67
S2-G16	50	G2	220	140	140	60	100	63.2	95	95

Series S4 钢珠密封式液压快速接头 Ball sealing type Quick coupling

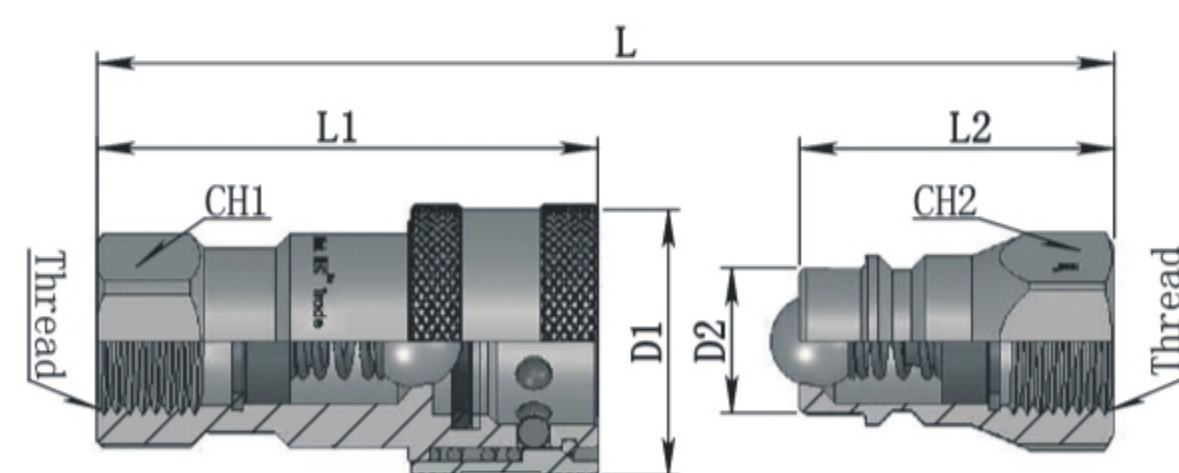
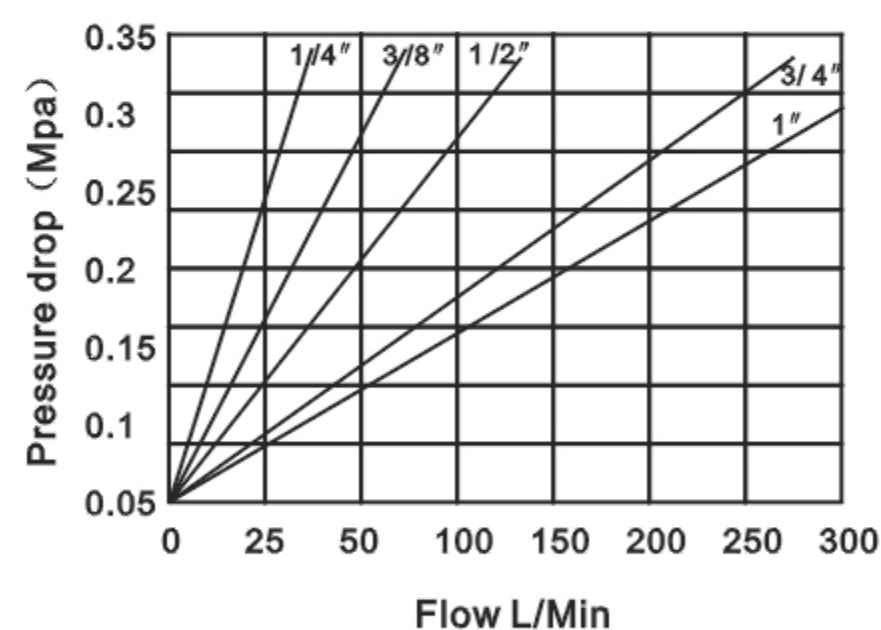
- 符合ISO5675标准
- 母体和公接均采用实心棒料加工，易磨部份淬火处理极大提升产品耐磨和冲击性能
- 阀采用坚硬的铬合金钢球，钢球被弹簧加载以使阀牢固的固定在阀座处
- 耐用球锁机构，数颗淬火硬化钢球均匀的分散了工作应力，确保高压工作下也能可靠连接，公接头连接后在无压情况下可以转动以较直管子
- 尺寸从1/2-1寸可选
- 可与PARKER 4000, FASTER NS, SAFEWAY S20系列互换
- Comply to ISO5675 standard
- Coupler and nipple are precision machined from steel solid bar and wear points hardened for resistance to damage by hydraulic surges and crash
- Chromium alloy ball valve designed for heavy duty hydraulic applications
- Proven ball locking mechanism with large numbers of hardened steel locking balls distribute the load evenly to resist wear and provide positive connection, the ball locking mechanism also provides accurate alignment and allows a swiveling action to reduce hose torque
- Wide range of body size available from DN2.3 to DN25
- Interchangeable with PARKER 4000, FASTER NS, SAFEWAY S20



技术规范SPECIFICATIONS

规格(英寸)Body Size(in)	1/4	3/8	1/2	3/4	1
额定压力(Mpa)Rated Pressure	34.5	27.6	27.6	17.3	13.8
额定流量(L/Min)Rated Flow	11	22	45	105	185
温度范围(标准密封圈) Temperature Range (std seals)	-20°C ~ + 80°C				

标准密封圈为丁腈橡胶Standard Seal Material Is NITRILE



PART NO	ISO	Thread	L	L1	L2	D1	D2	Ch1	Ch2
S4-G02	6.3	NPT	72	53.5	36	27.5	14.2	19	19
S4-G03	10	NPT	82.5	63	40	34	19	24	24
S4-G04	12.5	NPT	87.5	66	43.5	39	20.5	27	27
S4-G06	20	NPT	107	82.5	53.5	48	27.9	34	34
S4-G08	25	NPT	126	96.5	63	56	31.3	41	41

Series PT 平面式液压快速接头 ISO 16028 Type Hydraulic Quick Couplings

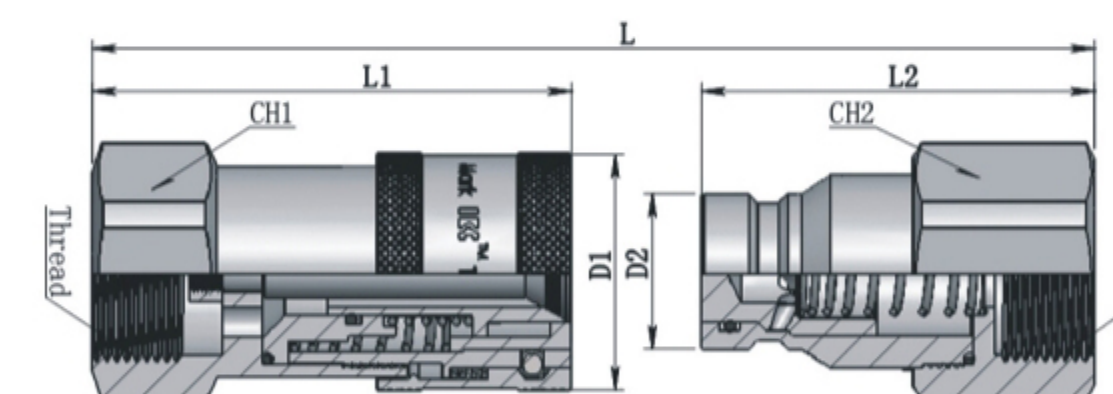
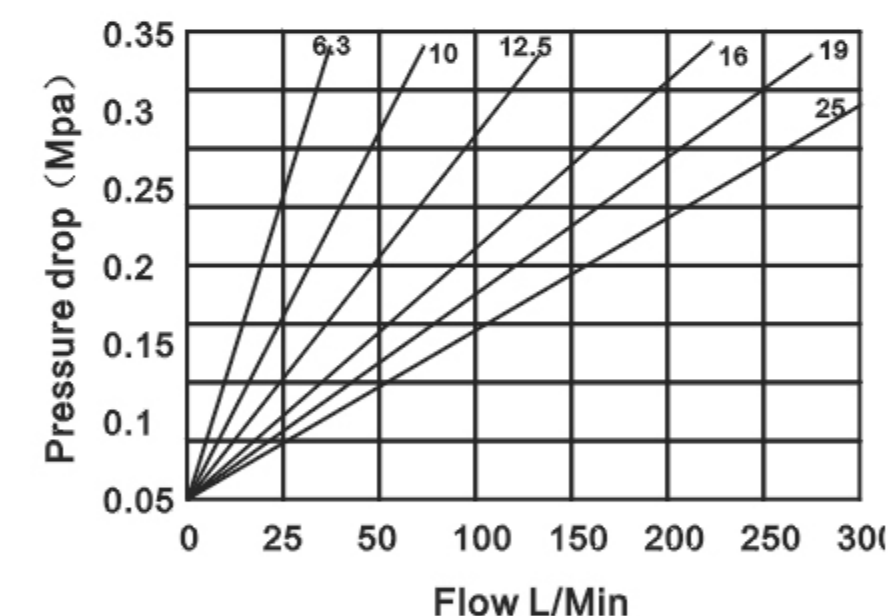
- 符合ISO16028标准
- 套筒锁紧机构通过连接后旋转套筒而啮合，在使用期间沿地面拖动或剧烈振动时，套筒机构能防止接头意外断开
- 套筒覆盖挡圈并且在弹簧区域包含了防尘密封件，有助于防止杂质进入内部机构
- 比其它款式快速接头具有更出色的高流量以及低压降性能
- 平头阀结构能更有效的防止断开时的流体损失，以及减少重新连接时空气进入
- 可与PARKER FE, HANSEN QA 2900, CEJNX62 互换
- Comply to ISO 16028 standard
- Sleeve locking mechanism is engaged by rotating sleeve after connection, it prevents accidental disconnection when the coupling is dragged along the ground and terrible shock
- Sleeve mechanism is designed to help prevent dirt from entering the internal, the sleeve covers the retaining ring and also incorporates a dust seal in the spring area
- Excellent flow VS flow drop characteristics when compared with other low spill quick coupling
- The flat valve mechanism decrease the flow leakage when uncoupled and lower the air entered in when coupled
- Interchangeable with PARKER FE, HANSEN QA 2900, CEJNX62



技术规范SPECIFICATIONS

规格(英寸)Body Size(in)	6.3	10	12.5	16	19	25
额定压力(Mpa)Rated Pressure	31.5	25	25	25	25	20
额定流量(L/Min)Rated Flow	11	22	45	75	100	185
温度范围(标准密封圈) Temperature Range (std seals)	-20°C ~ + 80°C					

标准密封圈为丁腈橡胶Standard Seal Material Is NITRILE



PART NO	ISO	Thread	L	L1	L2	D1	D2	Ch1	Ch2
PT-G02	6.3	G1/4	85	48	48	29.5	16.1	22	22
PT-G03	10	G3/8	110	64	61.5	33.5	19.7	27	24
PT-G034	10	G1/2	124	74	68	33.5	19.7	27	27
PT-G04	12.5	G1/2	124	74	68	39.5	24.5	32	32
PT-G046	12.5	G3/4	131	78.5	70.5	39.5	24.5	36	36
PT-G056	16	G3/4	131	78.5	70.5	43.5	27	36	36
PT-G068	19	G1	156	93	85.5	49.5	30	45	45
PT-G081	25	G1-1/4	173	106	90	56.5	36	55	55

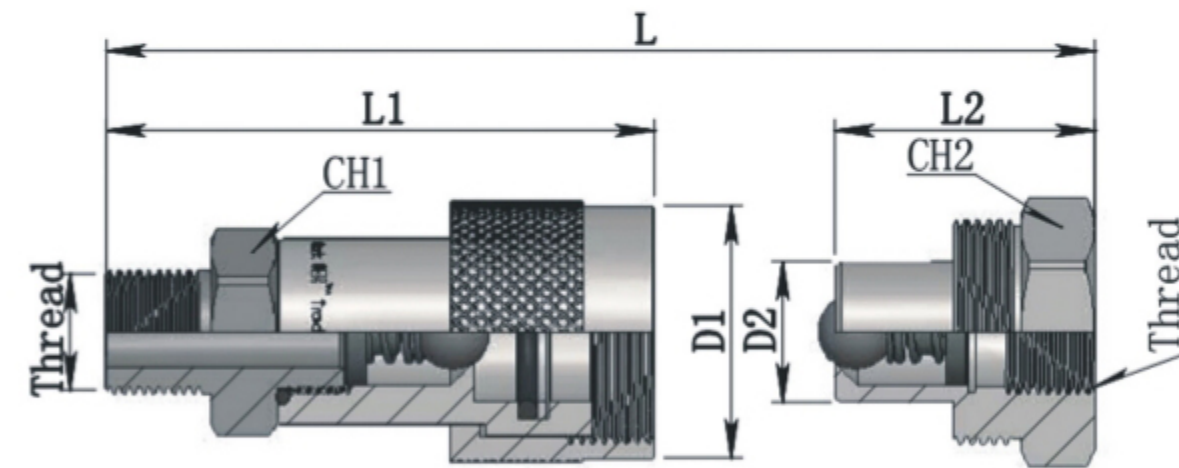
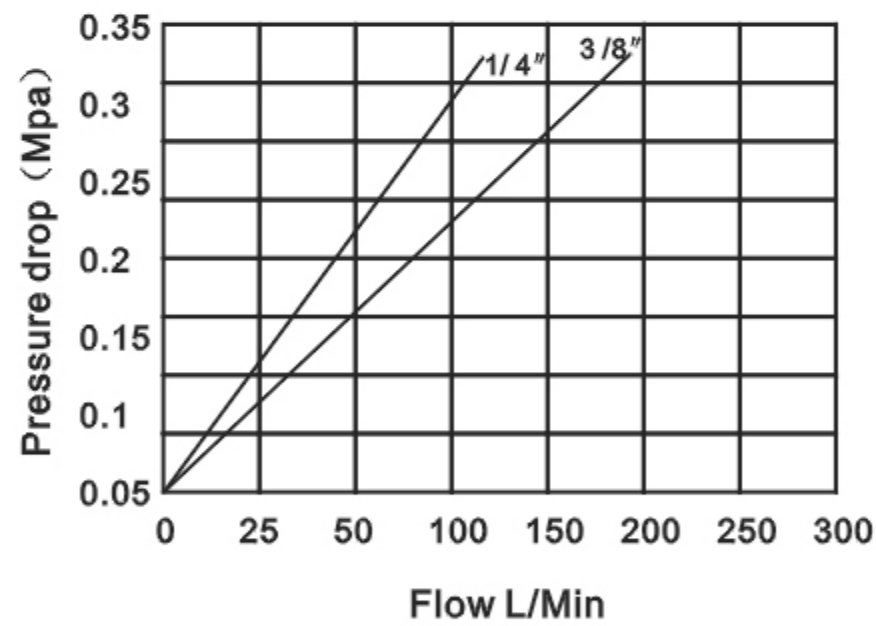
Series KZE-B 螺纹锁紧式快速接头 High Pressure Screw Type Quick Couplings



- ▶ 采用螺纹锁紧结构, 极大的提升了高压承受性能并防止意外断开
- ▶ 钢球密封和锥阀密封两种可选
- ▶ 钢球采用坚硬的铬合金钢球, 用弹簧加载以使其固定在阀座处
- ▶ 螺纹阀挡圈提供阀止挡, 保证阀能可靠的对中
- ▶ 母体和公接均采用实心棒料加工, 易磨部份淬火处理极大提升产品耐磨和冲击性能
- ▶ 可与PARKER 3000, FASTER PVVM 系列互换
- ▶ Thread lock mechanism, greatly improve pressure endurance and prevent disconnect accidentally
- ▶ Ball valve and poppet valve mechanism available
- ▶ Hard Chromium alloy ball valve with spring loaded for positive seating of the valve
- ▶ Threaded valve retainer stop and alignment the valve positively
- ▶ The flat valve mechanism decrease the flow leakage when uncoupled and lower the air entered in when coupled
- ▶ Interchangeable with PARKER FE, HANSEN QA 2900, CEJN X62



技术规范SPECIFICATIONS		
规格(英寸)Body Size(in)	1/4	3/8
额定压力(Mpa)Rated Pressure	70	70
额定流量(L/Min)Rated Flow	15	20
温度范围(标准密封圈) Temperture Range (std seals)	-20°C~ + 80°C	



PART NO	Thread	L	L1	L2	D1	D2	Ch1	Ch2	Ball	Poppet
KZE-B-G02	NPT	80	59.5	32.5	28.5	15.8	22	19	✓	
KZE-B-G03	NPT	80	59.5	32.5	28.5	15.8	22	19		✓
KZE-B-G04	NPT	85	73.5	35	35	19	25	32	✓	
KZE-B-G06	NPT	85	73.5	35	35	19	25	32		✓

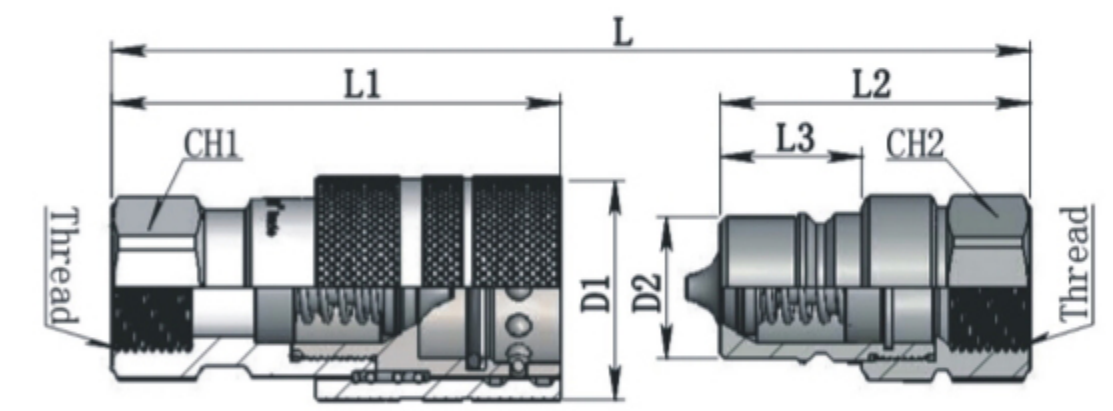
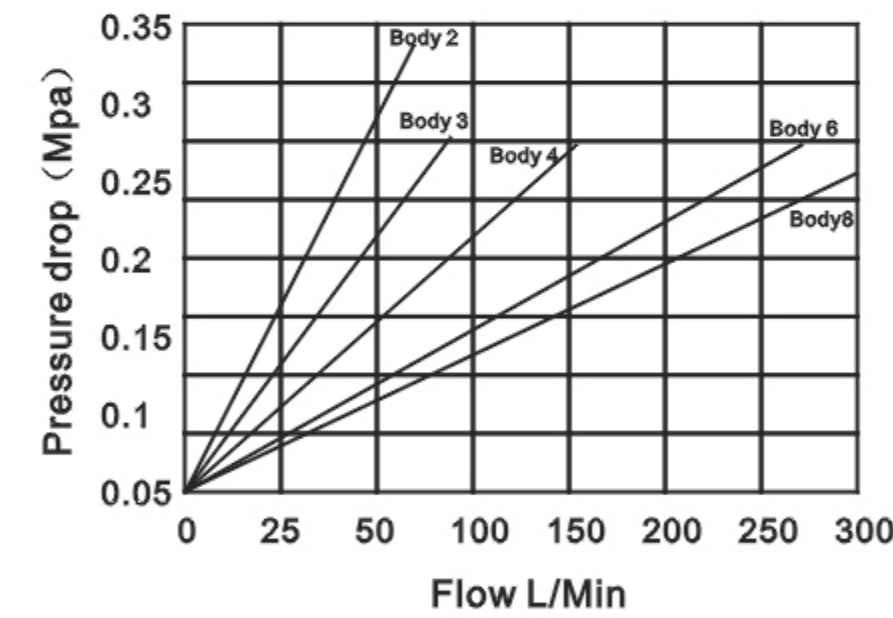
Series S5 推拉式液压快速接头 Push and Pull type quick couplings



- ▶ 符合ISO5675标准
- ▶ 在接头被夹紧或以舱壁形式安装时, 双作用套筒可以用单手操作
- ▶ 母体和公接均采用实心棒料加工, 易磨部份淬火处理极大提升产品耐磨和冲击性能
- ▶ 释放环经由滚花加工, 更好的实行松开操作
- ▶ 优质的镀锌处理确保产品在恶劣的环境下也能很好的保护产品
- ▶ 可与PARKER 4250系列互换
- ▶ Comply to ISO5675 standard
- ▶ Double acting sleeve for one hand operation when coupler is clamp mounted
- ▶ Coupler and nipple are precision machined from steel solid bar and wear points hardened for resistance to damage by hydraulic surges and crash
- ▶ Knurling sleeve provide a gripping surface for ease draw-back
- ▶ High quality Zinc plated protect products from terrible environment effectively
- ▶ Interchangeable with PARKER 4250



技术规范SPECIFICATIONS					
规格Body Size	2	3	4	6	8
额定压力(Mpa)Rated Pressure	34.5	27.6	27.6	17.3	13.8
额定流量(L/Min)Rated Flow	11	22	45	105	185
温度范围(标准密封圈) Temperture Range (std seals)	-20°C~ + 80°C				



PART NO	ISO	Thread	L	L1	L2	L3	D1	D2	Ch1	Ch2
S5-G02	6.3	G1/4	89.5	64	44	18.5	26	12	19	19
S5-G03	10	G3/8	95	67	51	22.8	32	17.3	22	22
S5-G04	12.5	G1/2	99.3	71	61	32.7	38	20.5	27	27
S5-G06	20	G3/4	126.5	92	65	30.5	46	29	36	36
S5-G08	25	G1	139	104	72	37	50	34.3	41	41

Series KZD 黄铜液压快速接头 Brass Type Hydraulic Quick Couplings



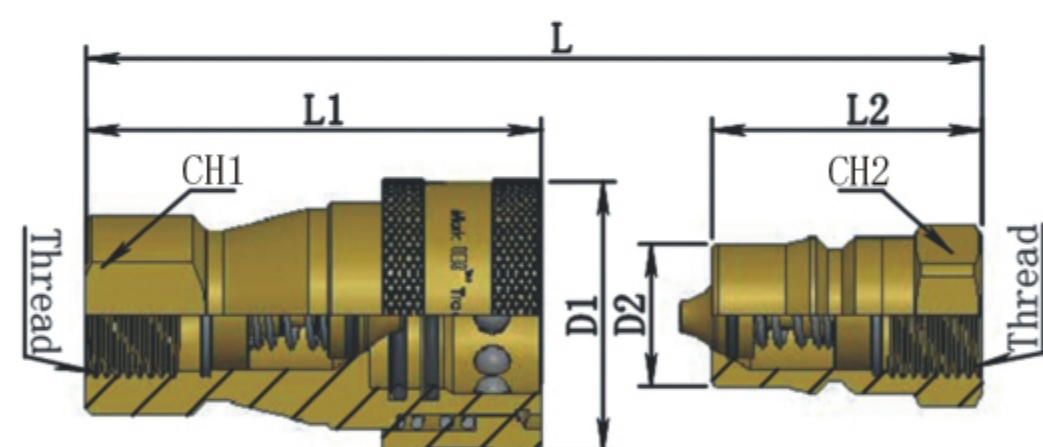
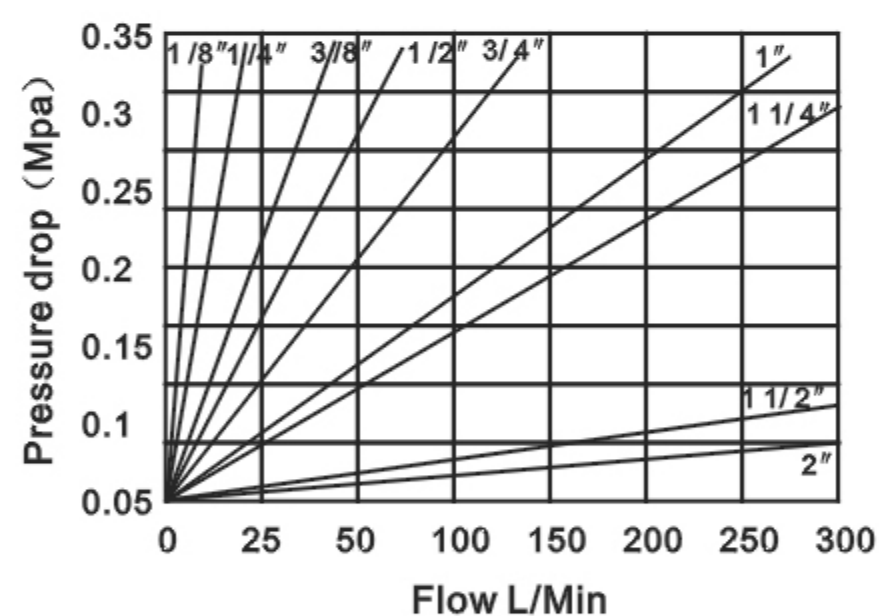
- 符合ISO7241-B标准
- 采用实心铜棒精密加工，在蒸汽或化学介质下比碳钢拥有更出色的性能
- 双密封结构，在拆卸的情况下防止介质流出，方便维护
- 精密的设计和加工保证两个提升阀完全对中，确保连接时完全打开
- 双O形圈设计，以适应低压或真空环境下工作
- 可与PARKER 60, FASTER HNV, HANSEN HK系列互换



- Comply to ISO7241-B standard
- Machined from solid brass bar, perfect performance under gas and chemical medium
- Double shut-off construction to prevent uncoupled leakage, easy for maintenance
- Precision Guidevalve maintain valve alignment and ensure that the valves open fully
- Double O-ring seal design for low pressure or vacuum applications
- Interchangeable with PARKER 60, FASTER HNV, HANSEN HK

技术规范SPECIFICATIONS

规格(英寸)Body Size(in)	1/8	1/4	3/8	1/2	3/4	1	1 1/4	1 1/2	2
额定压力(Mpa)Rated Pressure	7	7	7	7	7	7	5.5	5.5	5.5
额定流量(L/Min)Rated Flow	3	12	25	45	105	185	295	378	750
温度范围(标准密封圈) Temperature Range (std seals)	-20°C ~ +80°C								
标准密封圈为丁腈橡胶 Standard Seal Material Is NITRILE									



PART NO	ISO	Thread	L	L1	L2	D1	D2	Ch1	Ch2
KZD-G01	5	Rc1/8	58	48	29	24	10.9	14	14
KZD-G02	6.3	Rc1/4	72	58	36	28	14.2	19	17
KZD-G03	10	Rc3/8	80.5	65	40	35	19.1	22	22
KZD-G04	12.5	Rc1/2	88.5	72	44	45	23.5	29	27
KZD-G06	20	Rc3/4	104	88	52	55	31.4	36	36
KZD-G08	25	Rc1	123	102	62	65	37.8	41	41
KZD-G10	32.5	Rc1-1/4	140	115	70	77	-	54	54
KZD-G12	40	Rc1-1/2	150	124	75	88	-	63	63
KZD-G16	50	Rc2	160	132	80	108	-	77	77
KZD小体	25	Rc1	123	90	60	55	34.9	41	40

Series KZF 不锈钢液压快速接头 Stainless Steel Type Quick Couplings



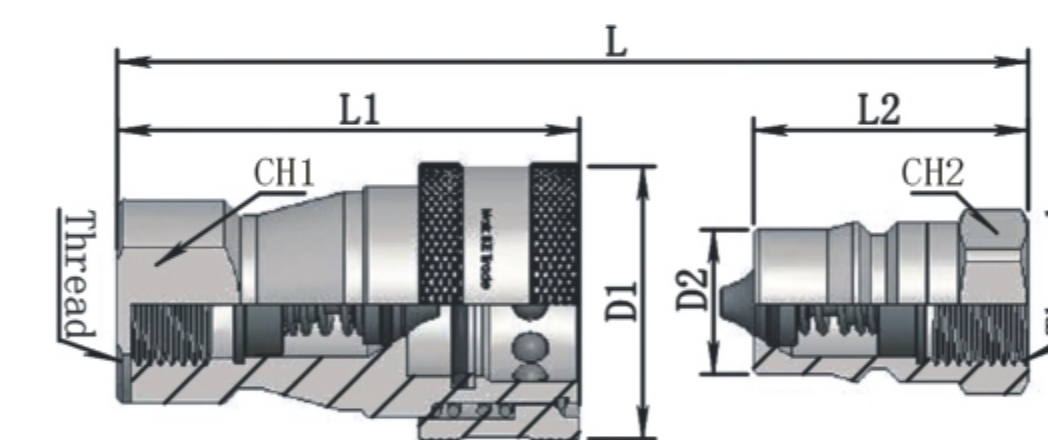
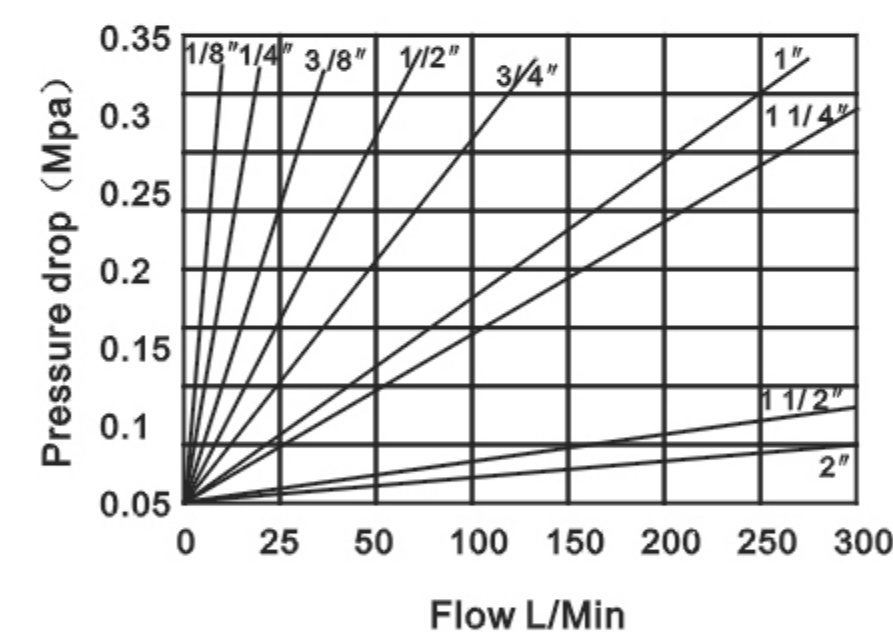
- 符合ISO7241-B标准
- 采用不锈钢材料加工，为腐蚀性介质或食品级应用环境提供更多的支持
- 高精度的加工，保证介质顺畅流通，减少因表面粗糙引起的漩涡，导致压力损失
- 双O形圈设计，以适应低压或真空环境下工作
- 为延长使用寿命，在断开的情况下，推荐使用防尘套
- 可与PARKER 60, FASTER HNV, HANSEN HK系列互换



- Comply to ISO7241-B standard
- Machined from Stainless steel, support more corrosion and food classic environment
- Precise tooling make sure the flow smooth, minimize the flow drop
- Double O-ring seal design for low pressure or vacuum applications
- Protective dust plug is recommended for extend the coupler working life
- Interchangeable with PARKER 60, FASTER HNV, HANSEN HK

技术规范SPECIFICATIONS

规格(英寸)Body Size(in)	1/8	1/4	3/8	1/2	3/4	1	1 1/4	1 1/2	2
额定压力(Mpa)Rated Pressure	14	14	14	10.5	10.5	7	7	7	7
额定流量(L/Min)Rated Flow	3	12	25	45	105	185	295	378	750
温度范围(标准密封圈) Temperature Range (std seals)	-20°C ~ +80°C								
标准密封圈为丁腈橡胶 Standard Seal Material Is NITRILE									



PART NO	ISO	Thread	L	L1	L2	D1	D2	Ch1	Ch2
KZF-G01	5	Rc1/8	58	48	29	24	10.9	14	14
KZF-G02	6.3	Rc1/4	72	58	36	28	14.2	19	17
KZF-G03	10	Rc3/8	80.5	65	40	34.5	19.1	22	22
KZF-G04	12.5	Rc1/2	88.5	72	44	44.5	23.5	29	27
KZF-G06	20	Rc3/4	104	88	52	54	31.4	36	36
KZF-G08	25	Rc1	123	102	62	64	37.8	41	41
KZF-G10	32.5	Rc1-1/4	140	115	70	77	-	54	54
KZF-G12	40	Rc1-1/2	150	124	75	88	-	63	63
KZF-G16	50	Rc2	160	132	80	108	-	77	77

Series KZE 普通开闭式 液压快速接头 Universal Type Hydraulic Quick Couplings



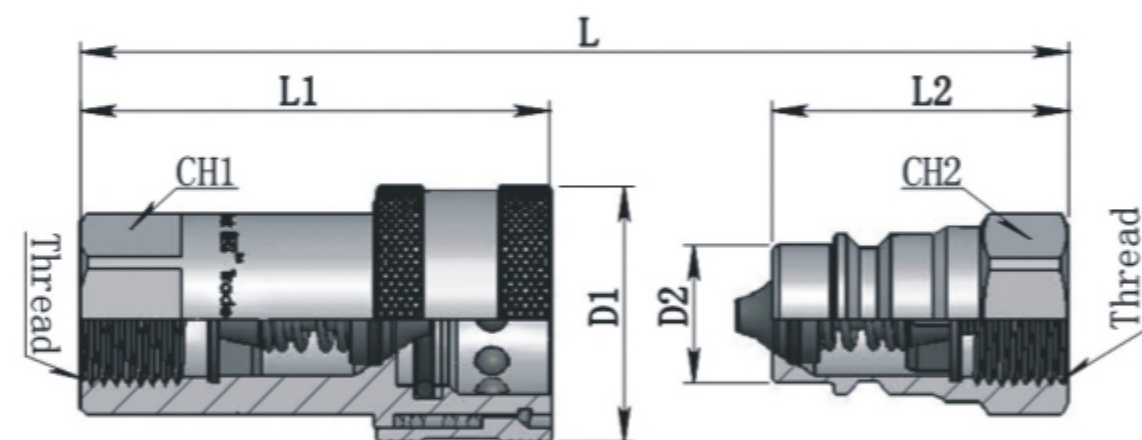
- ▶ 国标
- ▶ 双密封结构, 在拆卸的情况下防止介质流出, 方便维护
- ▶ 母体和公接均采用实心棒料加工, 易磨部份淬火处理极大提升产品耐磨和冲击性能
- ▶ 精密的设计和加工保证两个提升阀完全对中, 确保联接时完全打开
- ▶ PTFE支撑垫良好的保护了阀体密封圈, 防止在高压情况下挤出
- ▶ 优质的镀锌处理确保产品在恶劣的环境下也能很好的保护产品

- ▶ Comply to China standard
- ▶ Robust design offers a long trouble free service even in rugged condition
- ▶ Large flow areas machined into the body of the Coupler and nipple facilitate flow around the valve for a higher flow capacity than JS-S1
- ▶ Precision Guide valve alignment the valve and ensure that the valves open fully
- ▶ PTFE back-up washer protect NBR body seal extruding against high pressure
- ▶ High quality Zinc plated protect products from terrible environment effectively



技术规范SPECIFICATIONS

规格(英寸)Body Size(In)	06	08	10	15	20	25	32	40
额定压力(Mpa)Rated Pressure	34.5	27.6	27.6	17.3	13.8	7	7	7
额定流量(L/Min)Rated Flow	11	22	45	105	185	295	350	700
温度范围(标准密封圈) Temperture Range (std seals)	-20°C~ + 80°C							
标准密封圈为丁腈橡胶 Standard Seal Material Is NITRILE								



PART NO	DN	Thread	L	L1	L2	D1	D2	Ch1	Ch2
KZE-G02SP	6	G1/4	72	58	36	28.5	14.2	19	17
KZE-G03SP	8	G3/8	80	65	40	35	19	21	22
KZE-G04SP	10	G1/2	89	66	46	39.5	21.6	27	27
KZE-G06SP	15	G3/4	109.5	79	55	49.5	30	36	36
KZE-G08SP	20	G1	119	95.5	59.5	58	34.3	41	41
KZE-G10SP	25	G1 1/4	140	115	70	70	44.8	54	52
KZE-G12SP	32	G1 1/2	150	124	75	79	50.1	60	60
KZE-G16SP	40	G2	160	132	80	102	65	77	77
1/4 KZE-M14SP	6	M14*1.5	71.5	58	36	28	14.2	19	17
3/8 KZE-M16SP	6	M16*1.5	71.5	58	36	28	14.2	19	17
3/8 KZE-M18SP	8	M18*1.5	80	65	40	35	19	21	22
1/2 KZE-M20SP	10	M20*1.5	83	66	46	40	21.6	27	27
1/2 KZE-M22SP	10	M22*1.5	83	66	46	40	21.6	27	27
3/4 KZE-M27SP	15	M27*2	95	79	55	49	30	36	36
KZE-M33SP	20	M33*2	111	95.5	59.5	58	34.3	41	41
KZE-M39SP	25	M39*2	140	115	70	70	44.8	54	52
KZE-M45SP	32	M45*2	140	115	70	70	44.8	54	52
KZE-M64SP	40	M64*2	160	132	80	102	65	77	77
小体				88	65	49.5	30	41	41
小体				93.5	61.5	55	34.3	50	50
小体				100	65	69	42.9	56	55

Series QZB275-77 外螺纹开闭式液压快速接头 Male Type Hydraulic Quick Couplings



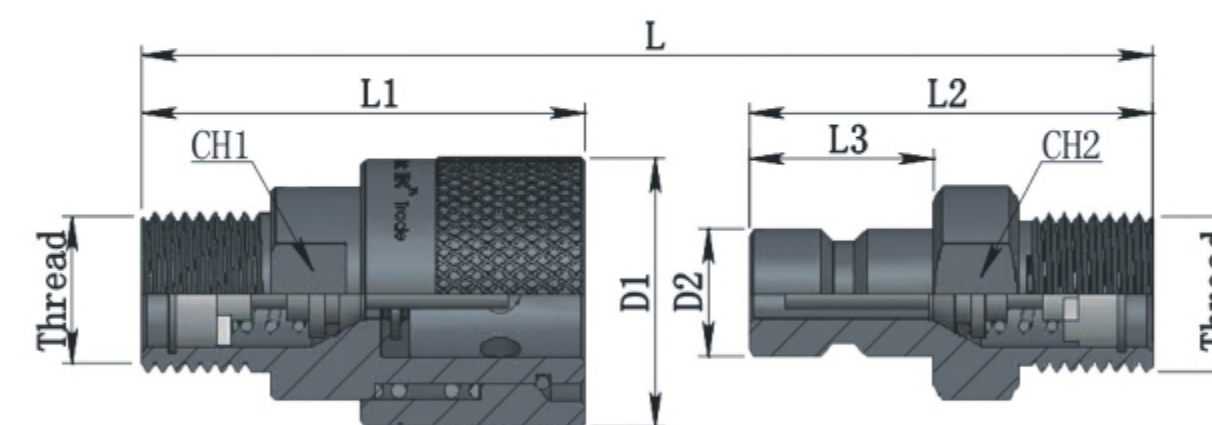
- ▶ 耐用球锁机构, 数颗淬火硬化钢球均匀的分散了工作应力, 确保高压工作下也能可靠连接, 公接头连接后在无压情况下可以转动以较直管子
- ▶ 采用端面密封结构
- ▶ 表面发黑处理, 有效提升抗氧化和防腐性能
- ▶ 结构紧凑, 比较适合空间小的地方
- ▶ 广泛应用于森林设备, 农业机械, 液压机具等领域

- ▶ Proven ball locking mechanism with large numbers of hardened steel locking balls distribute the load evenly to resist wear and provide positive connection, the ball locking mechanism also provides accurate alignment and allows a swiveling action to reduce hose torque
- ▶ Flat seal construction
- ▶ Blackening surface treatment, greatly improve resistance of corrosion
- ▶ Compact design, ideal for small room requirement design
- ▶ Widely used in forest ,agricultural equipment and hydraulic machine



技术规范SPECIFICATIONS

规格(英寸)Body Size(Inch)	06	08	10	15	20	25	32	40	50
额定压力(Mpa)Rated Pressure	34.5	31.5	31.5	25	20	16	16	10	10
额定流量(L/Min)Rated Flow	6.3	25	40	63	100	160	250	400	630
温度范围(丁腈) Temperture Range (NBR)	-20°C~ + 80°C								



PART NO	DN	Thread	L	L1	L2	L3	D1	D2	Ch1	Ch2
Q/ZB275-M16SP	06	M16*1.5	67	44	40	18	28	12.9	19	19
Q/ZB275-M18SP	06	M18*1.5	67	44	40	18	28	12.9	19	19
Q/ZB275-M22SP	08	M22*1.5	69	46	41	19	31	15.9	22	22
Q/ZB275-M27SP	10	M27*1.5	78	52	46	22	35	18.9	27	27
Q/ZB275-M30SP	15	M30*1.5	87	56	53	24.5	39.5	21.9	30	30
Q/ZB275-M36SP	20	M36*2	97.5	65	59	29	48	27.9	36	36
Q/ZB275-M42SP	25	M42*2	110	73.5	65.5	31	54.5	34.9	46	46
Q/ZB275-M52SP	32	M52*2	128.5	83.5	79	36	67	41.9	55	55
Q/ZB275-M60SP	40	M60*2	143.5	93	90	39.5	77	50.9	65	65
Q/ZB275-M68SP	50	M68*2	156	99	97	41	82	54.9	70	70
Q/ZB275-M72SP	50	M72*2	156	99	97	41	82	54.9	70	70

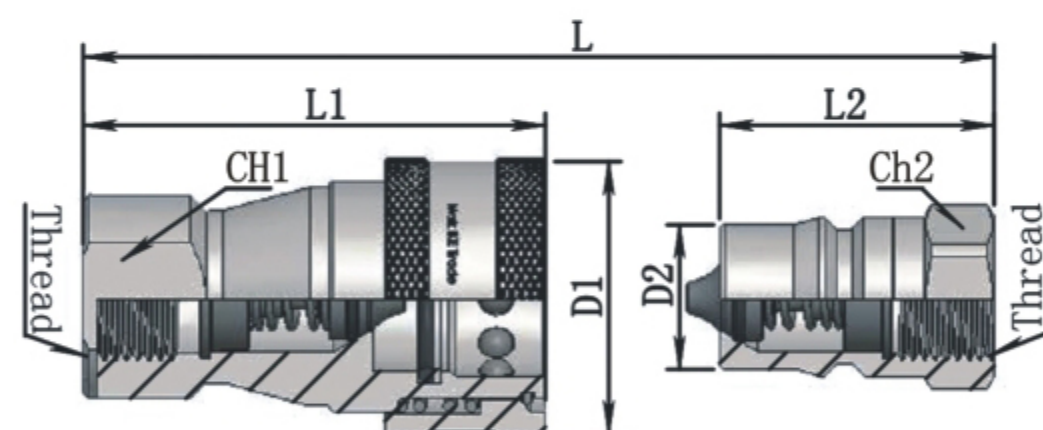
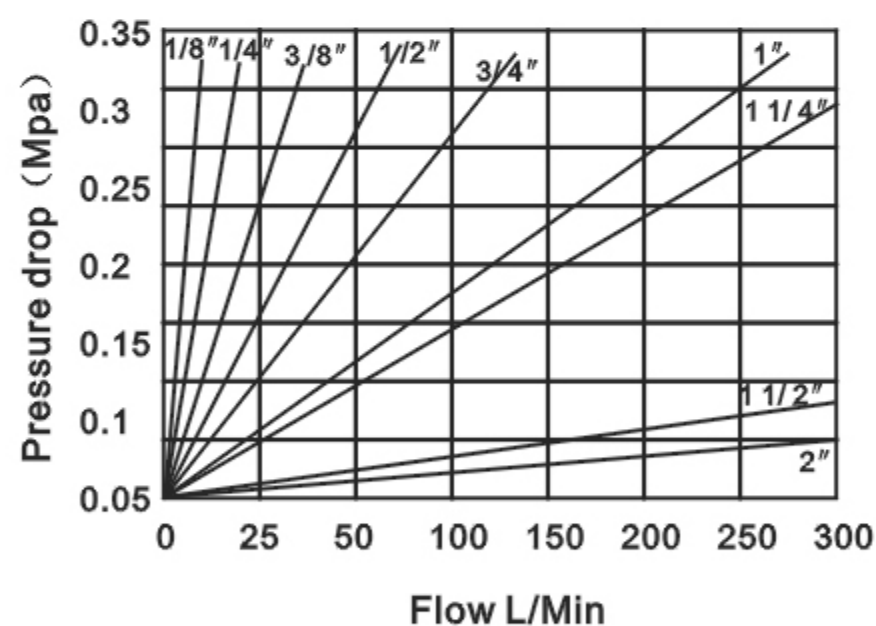
Series S6 ISO A 液压快速接头 ISO A Hydraulic Quick Couplings

- 符合ISO7241-A标准
- 耐用球锁机构，数颗淬火硬化钢球均匀的分散了工作应力，确保高压工作下也能可靠连接，公接头连接后在无压情况下可以转动以较直管子
- 高精度的加工，保证介质顺畅流通，减少因表面粗糙引起的漩涡，导致压力损失
- 精密的设计和加工保证两个提升阀完全对中，确保联接时完全打开
- 提升阀采用内嵌式密封结构，防止高压情况下挤出
- 可与PARKER 60, HANSEN BX-75, FASTER HNV, CEJN X95互换
- Comply to ISO7241-A standard
- Proven ball locking mechanism with large numbers of hardened steel locking balls distribute the load evenly to resist wear and provide positive connection, the ball locking mechanism also provides accurate alignment and allows a swivelling action to reduce hose torque
- Precise tooling make sure the flow smooth, minimize the flow drop
- Precision Guidevalve alignment the valve and ensure that the valves open fully
- Valve seal was build-in the metal part to prevent seal wash out at high pressure
- Interchangeable with PARKER6000, HANSEN HA 15000 FASTER ANV, CEJN X95



技术规范SPECIFICATIONS

规格(英寸)Body Size(Inch)	1/4	3/8	1/2	3/4	1	1- 1/4	1- 1/2	2
额定压力(Mpa)Rated Pressure	34.5	27.6	27.6	17.3	13.8	7	7	7
额定流量(L/Min)Rated Flow	11	22	45	105	185	295	350	700
温度范围(丁腈) Temperture Range (NBR)	-20°C ~ + 80°C							



PART NO	ISO	Thread	L	L1	L2	D1	Ch1	Ch2
S6-G02	6.3	G1/4	71	50	36	26	19	19
S6-G03	10	G3/8	76	56	36.5	31.5	22	22
S6-G04	12.5	G1/2	90	66	44	38	30	27
S6-G06	20	G3/4	112	83.5	56	47	38	34
S6-G08	25	G1	122	96.5	59.5	58	45	41

Series LKJ 超高压型液压快速接头 High-pressure Type Hydraulic Quick Couplings

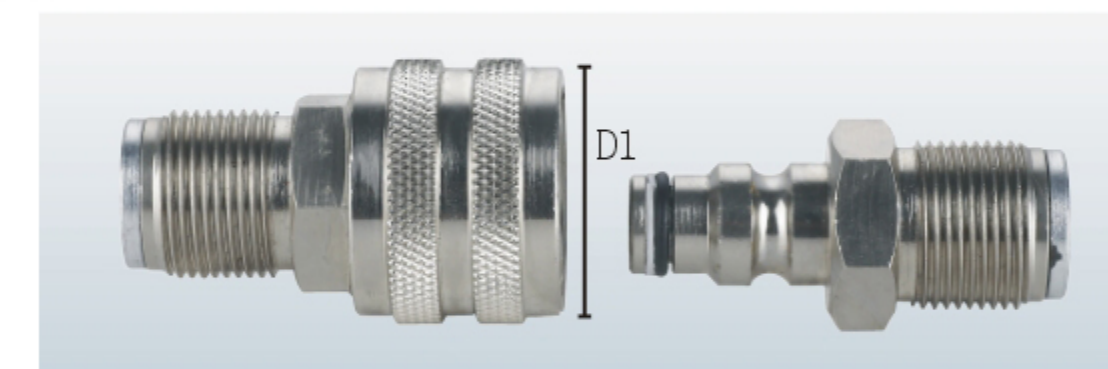
- 材料Materials:**
 母体 Coupling: 碳钢镀铬Steel(chromium plating)
 插头Nipple: 淬火碳钢镀铬Hardened steel (chromium plating)
- 额定压力Rated Pressure: 70 Mpa
 温度范围Temperature Range (NBR): -20°C ~ + 80°C
- 特征Features:**
 超高压设计
 High pressure coupling
 可与同类设计产品互换
 Interchangeable with similar models
 独特阀门设计极小的泄漏
 Reduced spillage
 安全的锁定机制
 Maximal security due to a positive locking mechanism



PART NO	Thread1	Thread2	D1	D2	L	L1	L2
LKJ	M16*1.5	M10*1.5	29	15	80.5	52.5	46
	1/4	1/4	29	15	80.5	52.5	46

Series LKJM 高压型液压快速接头 High-pressure Type Hydraulic Quick Couplings

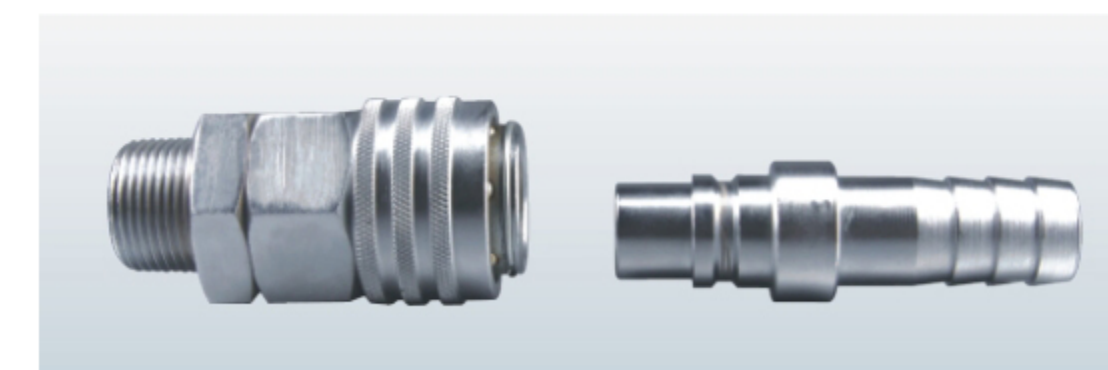
- 材料Materials:**
 母体 Coupling: 碳钢镀镍Steel(Nickel- plating)
 插头Nipple: 淬火碳钢镀镍Hardened steel (Nickel- plating)
- 额定压力Rated Pressure: 50 Mpa
 温度范围Temperature Range: (NBR) -20°C ~ +80°C
- 特征Features:**
 超高压设计
 High pressure coupling
 可与同类设计产品互换
 Interchangeable with similar models
 轴向密封 Axial sealing



PART NO	Thread1	Thread2	D1	D2	L	L1	L2
LKJM	M22*1.5	M22*1.5	34	12.9	88.5	55.5	55.5

Series Z 单封闭自锁式液压快速接头 One Way Shut-off Hydraulic Quick Couplings

- 材料Materials:**
 母体 Coupling: 碳钢镀铬Steel(chromium plating)
 插头Nipple: 碳钢镀铬Steel (chromium plating)
- 额定压力Rated Pressure: 3 Mpa
 温度范围 Temperature Range (NBR): -20°C ~ +80°C
- 特征Features:**
 超大流量设计 High Flow
 单手锁定 One-hand operated



PART NO	Thread1	Hose	D1	D2	L	L1	L2
QKD-Z	1"	27	52	23.9	175	100	110