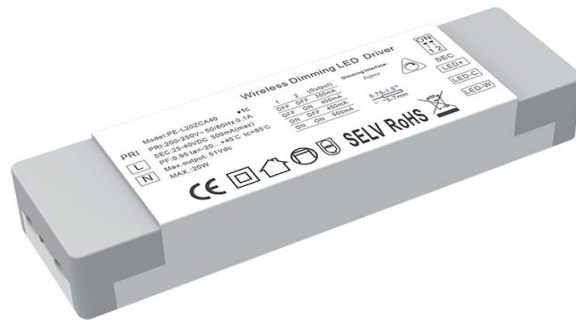


PE-L20ZCA 20W

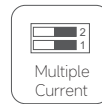
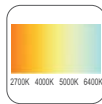
PE-L20BCA 20W



5 years



RoHS SELV CE Class 2



Features:

1. Controlled by Tuya mobile app
2. Built in Tuya ZigBee (Tuya Bluetooth) wireless control module
3. Mixing is used to control deep dimming without stroboscopic
4. AC input 200-250v range
5. Natural air cooling, moisture-proof, heat conduction, silica gel heat dissipation process
6. Multiple protection functions
7. Ultra small volume design
8. Crimping design, convenient and fast
- 9.4 gear current selection

Application:

1. Led two-color light source
2. Villa intelligent lighting
3. Access to third-party language control platform
4. High end commercial lighting

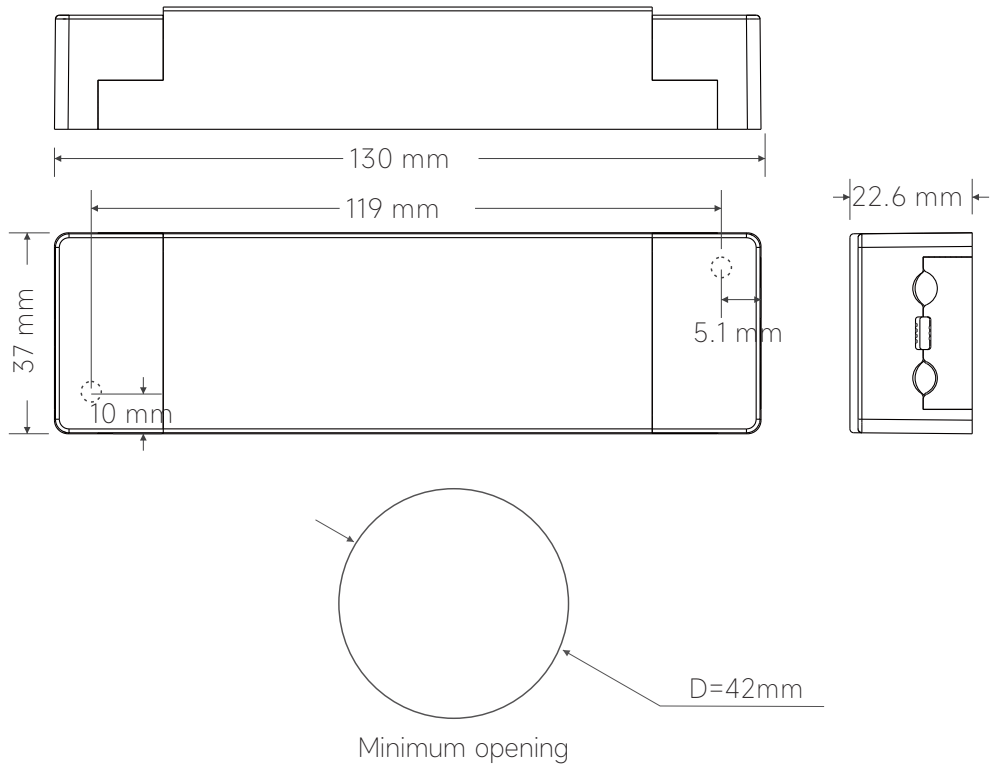
General description:

1. The mobile phone TUYA app is used to control the brightness and color temperature, which is stable, not easy to drop the signal, has a long control distance and a large number, and has its own slow on and slow off function, The raw materials used are first-line brands, imported chip ultra deep dimming design, and the internal silicone heat conduction process is adopted to make the heat dissipation balance of electronic components more stable

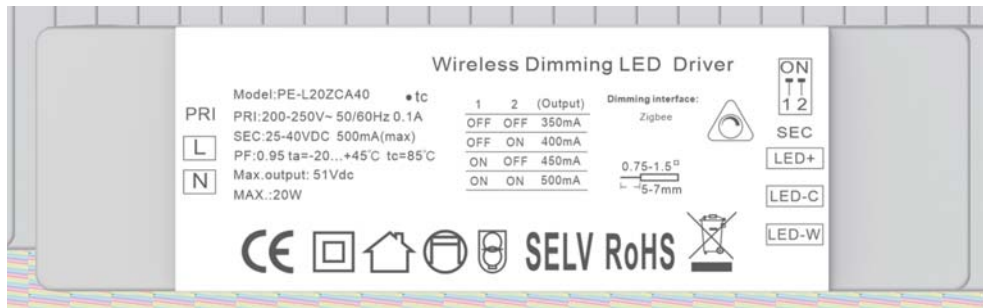
Specification:

Model		PE-L20ZCA4050	PE-L20ZCA4040	PE-L20BCA4050	PE-L20BCA4040
OUTPUT	Output Voltage	25-40Vdc	25-40Vdc	25-40Vdc	25-40Vdc
	Max Output Voltage	40Vdc	40Vdc	40Vdc	40Vdc
	Non-load Output Voltage	51Vdc	51Vdc	51Vdc	51Vdc
	Output Current	350/400/450/500mA	250/300/350/400mA	350/400/450/500mA	250/300/350/400mA
	Output Power	8.75W~20W	6.25W~16W	8.75W~20W	6.25W~16W
	Strobe Level	No Flicker			
	Dimming Range	0.4-100%, LEDstart at 0.4%possible.			
	PWM Dimming Frequency	>3600Hz			
	Current Accuracy	±5%			
	Power down mode	memory function when power down			
INPUT	Dimming Interface	TUYA Zigbee		TUYA Bluetooth	
	Input Voltage Range	200-250Vac			
	Frequency	50/60Hz			
	Input Current	<0.1A ac230v			
	Power Factor	PF>0.95/230V ac(at full load)			
	THD	230Vac@THD <6% (at full load)			
	Efficiency(typ.)	85%			
	Inrush Current(typ.)	cold start25A@230Vac			
	Anti Surge	L-N: 1.8kV			
	Leakage Current	<0.25mA/230Vac			
ENVIRONMENT	Working Temperature	ta: 45°C tc: 80 °C			
	Working Humidity	20 ~ 95%RH, non-condensing			
	Storage Temp., Humidity	-40 ~ 80°C, 10~95%RH			
	Temp.Coefficient	±0.03%/°C(0-50)°C			
	Vibration	10~500Hz, 2G 12min./1cycle, period for 72min. each along X, Y, Z axes.			
PROTECTION	Over-heat Protection	Intelligently adjusting or turning off the output current if the PCB temperature ≥110°C, , auto recovers.			
	Over Load Protection	Shut down the output when rated power≥102%, auto recovers.			
	Short Circuit Protection	Shut down automatically if short circuit occurs, auto recovers.			
	Non-load Protection	output Constant Voltage.			
SAFETY & EMC	Withstand Voltage	I/P-O/P: 3750Vac			
	Isolation Resistance	I/P-O/P: 100MΩ/500VDC/25°C/70%RH			
	Safety Standards	IEC/EN61347-1, IEC/EN61347-2-13			
	EMC Emission	EN55015, EN61000-3-2 Class C, IEC61000-3-3			
	EMC Immunity	EN61000-4-2,3,4,5,6,8,11, EN61547			
OTHERS	Strobe Test Standard	IEEE 1789			
	Dimension	130×37×22.6mm(L×W×H)			
	Packing	PE bag			
	Weight(G.W.)	90g±10g			

Dimensions :



Product Label:

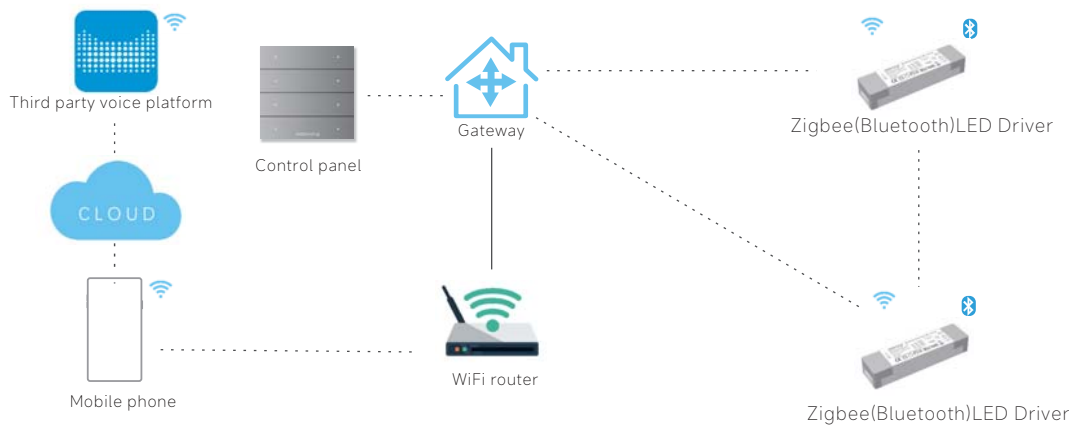
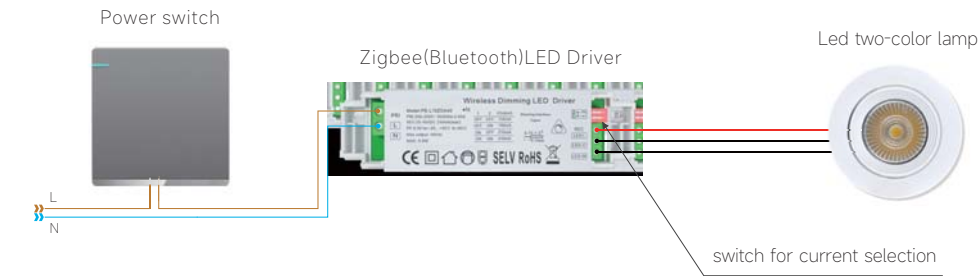


LED Current Selection:

DIP switch for 4 optional currents' quick selection(see the table below).

PE-L20ZCA4050 PE-L20BCA4050	DIP Switch				
	Output Current	350mA	400mA	450mA	500mA
	Output Voltage	25-40V	25-40V	25-40V	25-40V
PE-L20ZCA4040 PE-L20BCA4040	DIP Switch				
	Output Current	250mA	300mA	350mA	400mA
	Output Voltage	25-40V	25-40V	25-40V	25-40V

Dimensions :



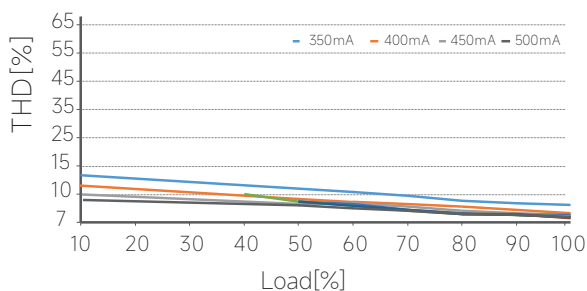
1. ZigBee is different from Bluetooth gateway, so different power supply should be selected according to different gateway
2. Please download Tuya mobile app on the mobile phone control terminal. The specific operation is described in the app
3. Before the power supply is powered on, please connect the network and connect the router
4. The signal is greatly affected by environmental factors Please select a router of brand and bandwidth

Wiring:

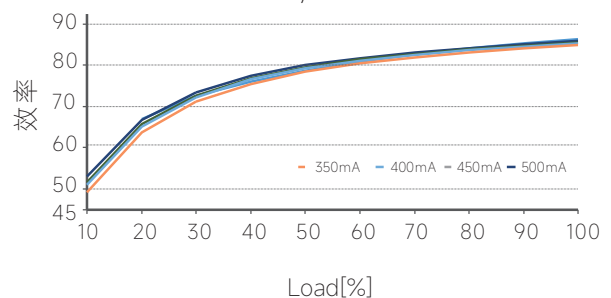
1. Input terminal wiring: suitable for wire gauge 22awg-14awg (0.5mm² – 1.5mm²), stripping requires 9-10mm tin
2. Output terminal wiring: suitable for wire gauge 22awg-12awg (0.5mm² – 1.5mm²), stripping requires 6-7mm tin
3. Output terminal wiring: the positive pole of the output LED is the common terminal, and the three wire led can be connected to one of the positive poles.

Working Curve:

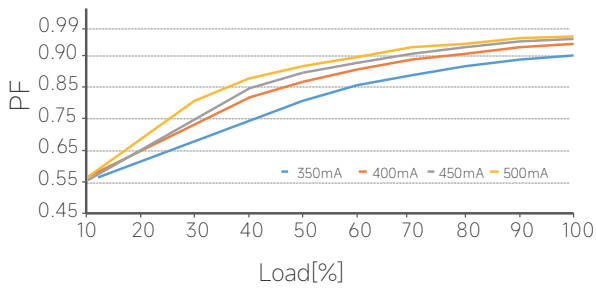
distortion characteristic curve



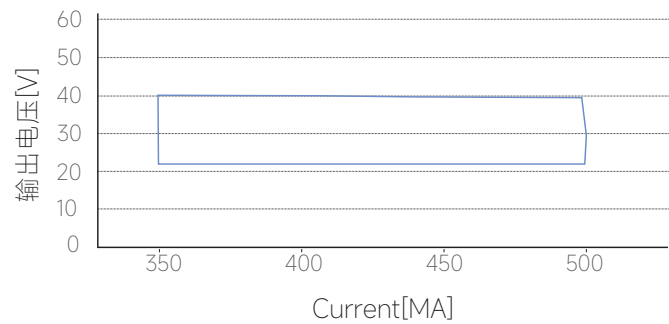
Efficiency VS Load



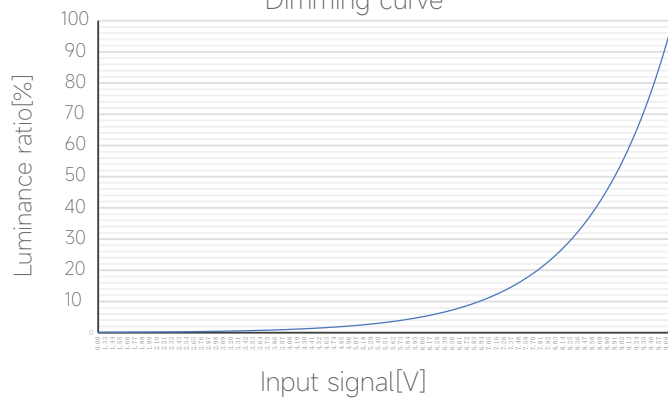
PF characteristic curve



Current VS Voltage



Dimming curve



The use of guidance:

Unless otherwise specified, all specifications and parameters are measured at 230VAC input, rated load and 25 °C Ambient Temperature

This product has a press line cap at the input, with self-locking clamping, it can be opened up with a screwdriver, then you will see the input terminal connected with the AC line L and the null line N, The output terminal connect a according to the product label, notice the positive and negative pole.

**1: please pay attention to the distinction between input and out put , connect correctly, then power on

**2: please connect first the load of the DC output, open the driver after checking; in the constant current mode, if power on at open circuit, please turn off the driver and can't connect the LED until the electric energy stored by the output release, or it may damage the LED ;

**3. this type of driver is only limited to the use of the LED lamps ,the input voltage range is AC200-250V, the heat insulation cotton and other items that obstruct the heat dissipation of the product, which conforms to the product under the specified output voltage, current range, the use environment temperature is -20-45 degrees, and the surface can not cover the conditions of the environment, this product enjoys 5 years of free warranty.

1. the LED lamp doesn't bright after the dimming driver is connected at the first time, please turn off the AC input and check as follow:

- 1) whether or not DC output bad contact;
- 2) whether DC output polarity is reversed, or the LED board is welded anti;
- 3) whether AC input is bad contact, test after eliminating these failures;

2. the device has good connection, LED lights, but the LED flicker, please turn off the AC input and check as follow:

- 1) whether or not the parameters and actual parameters match.
- 2) please timely communicate with us if you have any questions in the using, we will try our best to solve the problems with you.

Statement:

The pictures and specifications are for reference, subject to the real object.
If there is any change in the specifications, it will be notified separately.