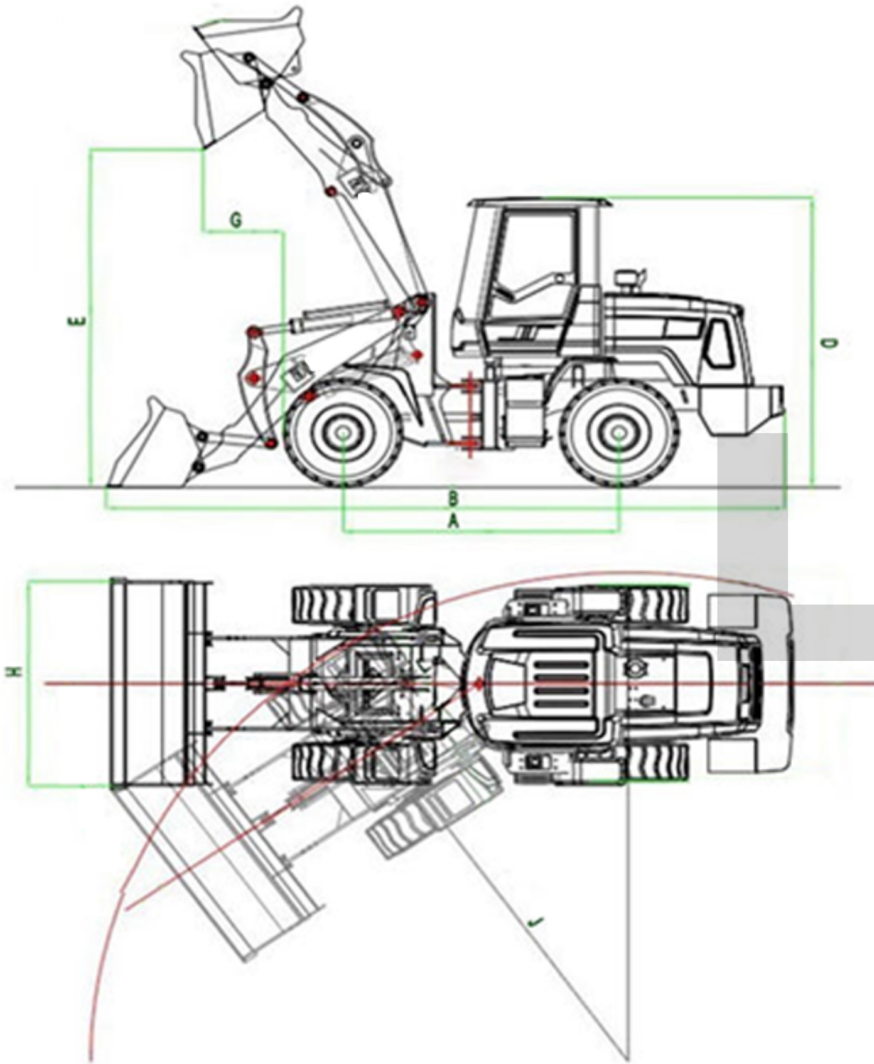


TS938G



LUYU MACHINERY

Address: Shahe Industry Zone, Laizhou City, Shandong Province, China.



| Product Model | | TS938G | |
|--|--------------------|---------------------------------|----------------------------|
| Main Technical Parameters | | Transmission | |
| Bucket capacity | 2m ³ | Type | Hydraulic Torque Converter |
| Rated load | 1800kgs | Pattern | Automatic |
| Machine weight | 6200kgs | Gear shift | Double H/L |
| Overall dimension(mm) (L * W * H) | 7705*2225*2910mm | Axle | Medium Hub Reducer |
| Wheel base(A) | 2570mm | Tire | |
| Bucket width(H) | 2225mm | Tire | 16/70-20 |
| Max.dumping height(E) | 4695mm | Working hydraulic system | |
| Max.dumping distance(G) | 1170mm | Operating type | Hydraulic Joystick |
| Turning radius(J) | 4400mm | Lifting time | 5.61s |
| Maximum speed | 20km/H | Lowering time | 4.09s |
| Engine | | Braking system | |
| Model | QUANCHAI 4C6-88M22 | Service brake | Air Hydraulic Disc Brake |
| Pattern | In line,4 cylinder | Parking brake | Hand brake |
| Rated power | 76kW | Optional configuration | |
| Rated speed | 2400 r/min | | |

