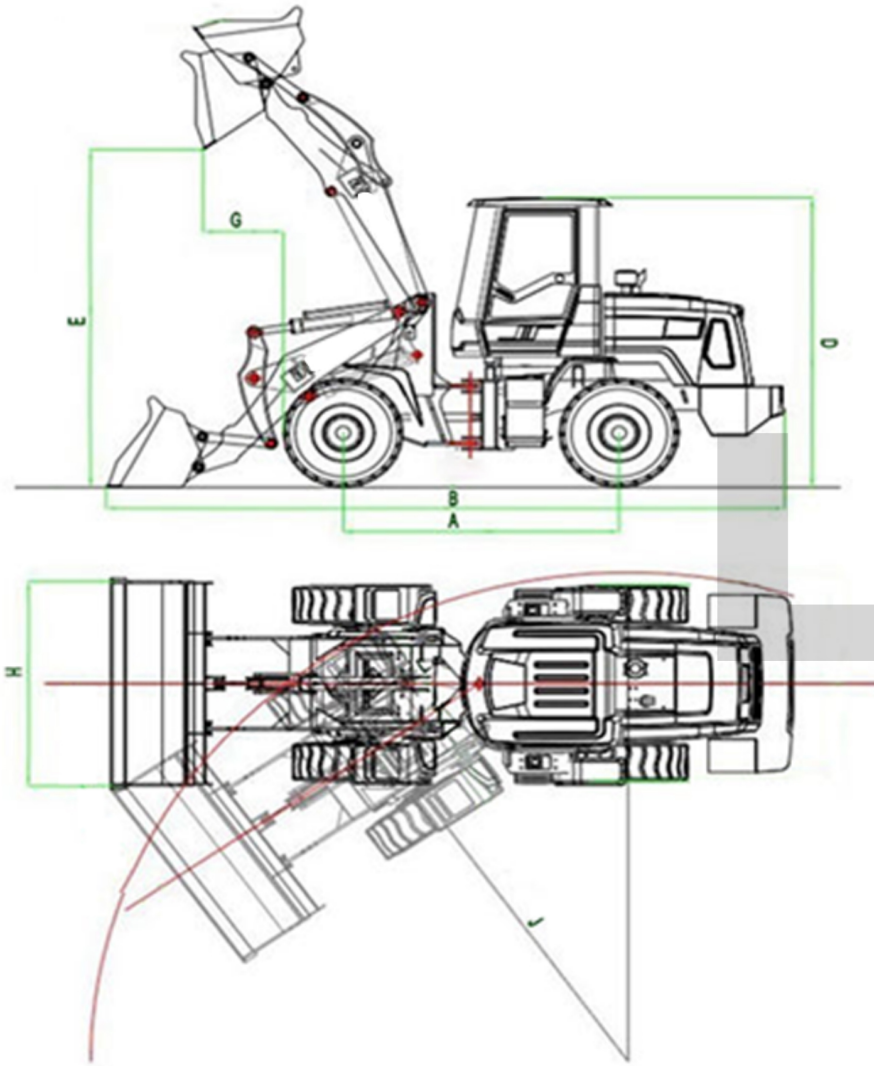


TS938



LUYU MACHINERY

Address: Shahe Industry Zone, Laizhou City, Shandong Province, China.



Product Model		TS938	
Main Technical Parameters		Transmission	
Bucket capacity	1.2m ³	Type	Hydraulic Torque Converter
Rated load	2000kgs	Pattern	Automatic
Machine weight	5600kgs	Gear shift	Double H/L
Overall dimension(mm) (L * W * H)	6380*2080*2900mm	Axle	Medium Hub Reducer
Wheel base(A)	2500mm	Tire	
Bucket width(H)	2080mm	Tire	16/70-20
Max.dumping height(E)	3490mm	Working hydraulic system	
Max.dumping distance(G)	1020mm	Operating type	Hydraulic Joystick
Turning radius(J)	3055mm	Lifting time	5.79s
Maximum speed	20km/H	Lowering time	4.17s
Engine		Braking system	
Model	QUANCHAI 4C6-88M22	Service brake	Air Hydraulic Disc Brake
Pattern	In line,4 cylinder	Parking brake	Hand brake
Rated power	76kW	Optional configuration	
Rated speed	2400 r/min		

