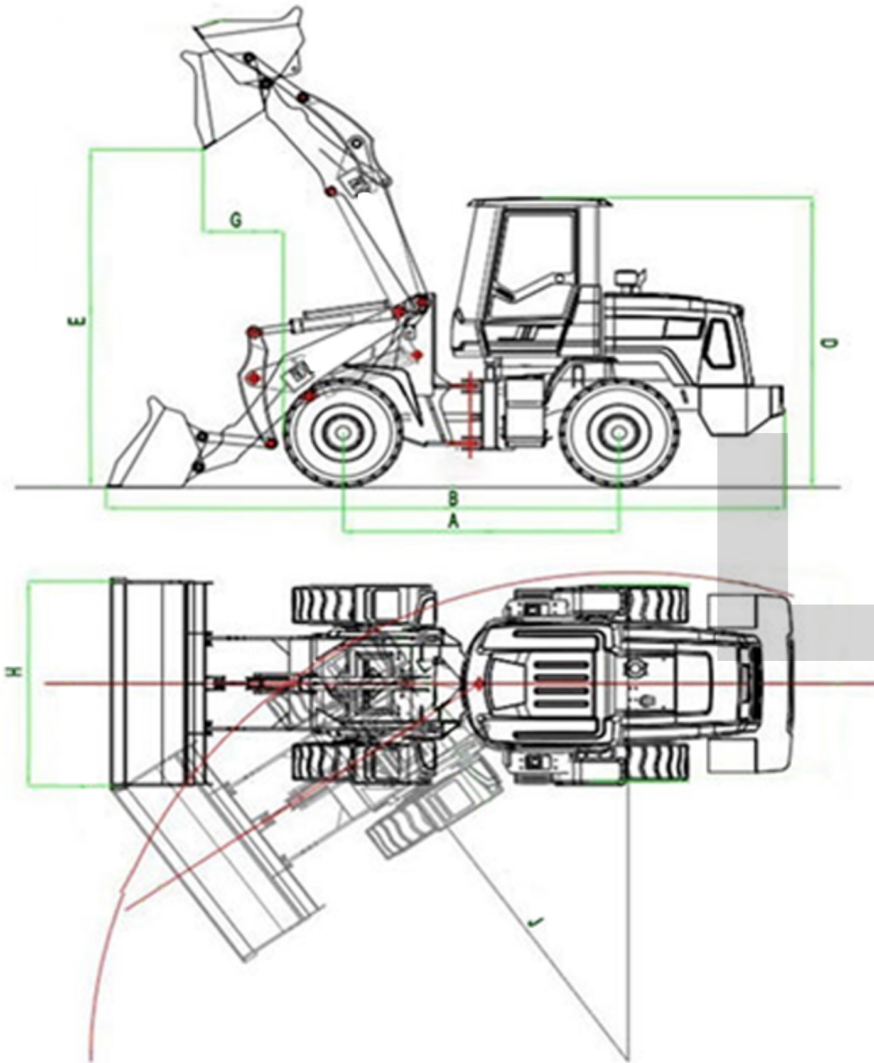


TS930G



LUYU MACHINERY

Address: Shahe Industry Zone, Laizhou City, Shandong Province, China.



Product Model		TS930G	
Main Technical Parameters		Transmission	
Bucket capacity	1.2m³	Type	Hydraulic Torque Converter
Rated load	1800kgs	Pattern	Automatic
Machine weight	5900kgs	Gear shift	Double H/L
Overall dimension(mm) (L * W * H)	7390*2020*2900mm	Axle	Small hub reducer
Wheel base(A)	2500mm	Tire	
Bucket width(H)	2020mm	Tire	16/70-20
Max.dumping height(E)	4390mm	Working hydraulic system	
Max.dumping distance(G)	1105mm	Operating type	Hydraulic Joystick
Turning radius(J)	4500mm	Lifting time	5.98s
Maximum speed	20km/H	Lowering time	4.58s
Engine		Braking system	
Model	QUANCHAI 4B2-75M22	Service brake	Air Hydraulic Disc Brake
Pattern	In line,4 cylinders	Parking brake	Hand brake
Rated power	60kW	Optional configuration	
Rated speed	2400 r/min		

