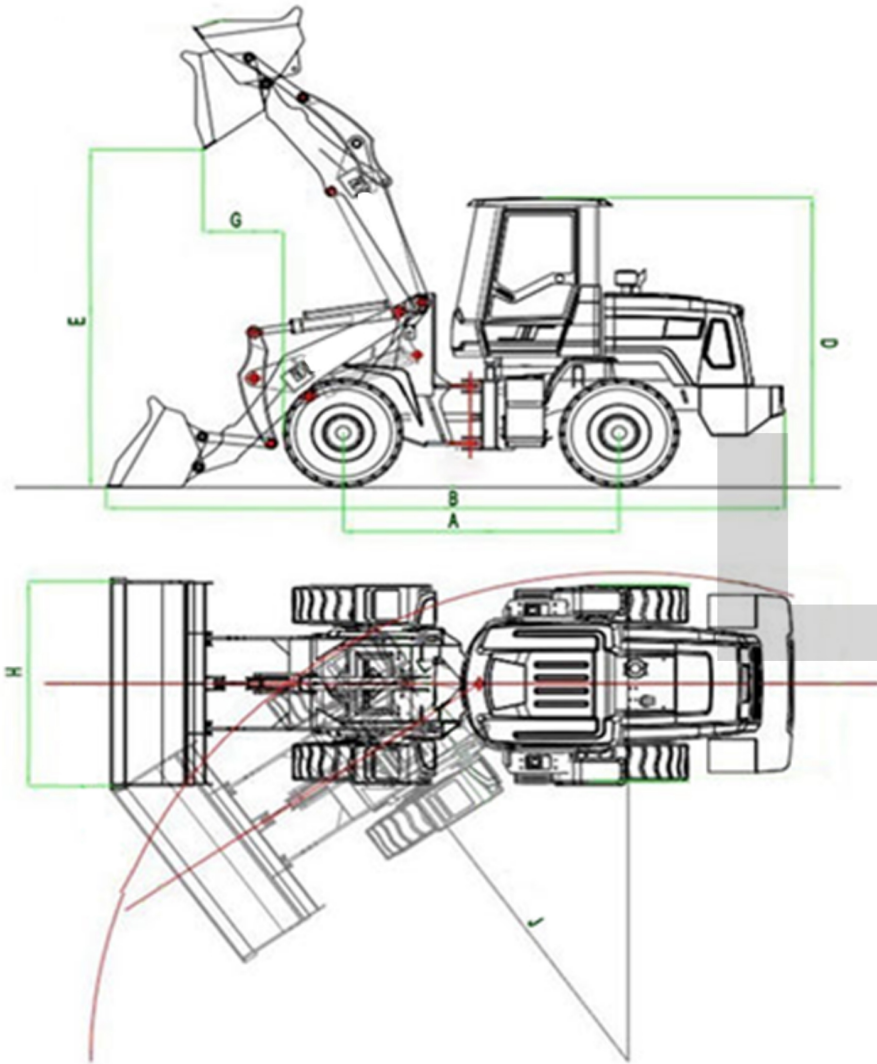


TS930



LUYU MACHINERY

Address: Shahe Industry Zone, Laizhou City, Shandong Province, China.



Product Model		TS930	
Main Technical Parameters		Transmission	
Bucket capacity	0.9m ³	Type	Hydraulic Torque Converter
Rated load	1800kgs	Pattern	Automatic
Machine weight	3900kgs	Gear shift	Double H/L
Overall dimension(mm) (L * W * H)	5630*1915*2810mm	Axle	Small Hub Reducer
Wheel base(A)	2200mm	Tire	
Bucket width(H)	1915mm	Tire	20.5/70-16
Max.dumping height(E)	3280mm	Working hydraulic system	
Max.dumping distance(G)	670mm	Operating type	Hydraulic Joystick
Turning radius(J)	3055mm	Lifting time	4.065s
Maximum speed	20km/H	Lowering time	3.21s
Engine		Braking system	
Model	QUANCHAI 4B2-75M22	Service brake	Air Hydraulic Disc Brake
Pattern	In line,4 cylinders	Parking brake	Hand brake
Rated power	60kW	Optional configuration	
Rated Speed	2400 r/min		

