

12.5×7.5×10

JRC-23F

 **us E169380**

Features

- Low coil power consumption.
- High sensitivity.
- Small size, light weight.
- PC board mounting.
- Suitable for automation facilities, telecommunication equipment, wireless radio remote control, sound control toys application etc.

Ordering Information

JRC-23F H S DC12V
 1 2 3 4

1 Part number: JRC-23F
 2 Coil power : NIL:0.2W; H:0.15W

3 Enclosure: S: Wash tight ; NIL: Flux proof
 4 Coil rated voltage(V): DC:1.5,3,5,6,9,12,24

Contact Data

Contact Arrangement		1C(SPDT(B-M))	
Contact Material		AgNi (Au plated)	
Contact Rating(Resistive)		0.5A/125VAC; 1A/30VDC; 0.3A/60VDC	
Max. Switching Power		30W 62.5VA	
Max. Switching Voltage		60VDC 125VAC	Max. Switching Current: 1A
Contact Resistance		≤100mΩ	Item 4.12 of IEC 61810-7
Operational Life	Electrical	1×10 ⁵	Item 4.30 of IEC 61810-7
	Mechanical	5×10 ⁶	Item 4.31 of IEC 61810-7

CAUTION: The min. switching current and min. switching voltage is 50mA/6VDC.

Coil Parameter

Dash numbers	Coil voltage VDC		Coil resistance Ω ±10%	Pick-up voltage VDC(max) (80% of rated voltage)	Drop-out voltage VDC(min) (10% of rated voltage)	Coil power W	Operate time ms	Release time ms
	Rated	Max.						
001-150	1.5	3.0	15.0	1.2	0.15	0.15	≤5	≤5
003-150	3	6.0	60.0	2.4	0.30			
005-150	5	10.0	166.7	4.0	0.50			
006-150	6	12.0	240.0	4.8	0.60			
009-150	9	18.0	540.0	7.2	0.90			
012-150	12	24.0	960.0	9.6	1.20			
024-150	24	48.0	3840.0	19.2	2.40			
001-200	1.5	2.25	11.3	1.2	0.15	0.2	≤5	≤5
003-200	3	4.5	45.0	2.4	0.30			
005-200	5	7.5	125.0	4.0	0.50			
006-200	6	9.0	180.0	4.8	0.60			
009-200	9	13.5	405.0	7.2	0.90			
012-200	12	18.0	720.0	9.6	1.20			
024-200	24	36.0	2880.0	19.2	2.40			

- CAUTION:**
- 1.The use of any coil voltage less than the rated coil voltage will compromise the operation of the relay.
 - 2.Pickup and release voltage are for test purposes only and are not to be used as design criteria.
 - 3.Unless otherwise stated, the rated coil voltage specified in coil parameter table shall be used for all tests and its application to the relay.

Characteristics

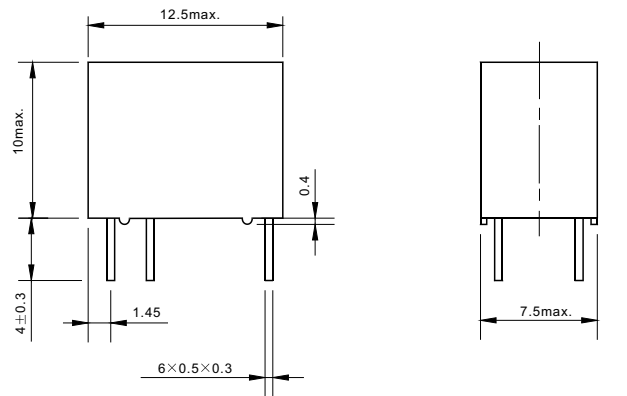
Insulation Resistance	1000M Ω min (at 500V)	Item 4.11 of IEC 60255-5
Dielectric Strength Between Contacts Between Contact and Coil	50Hz 400V 50Hz 1000V	Item 4.7 of IEC 61810-7 Item 4.7 of IEC 61810-7
Shock Resistance	98m/s ² 11ms	Item 4.26 of IEC 61810-7
Vibration Resistance	10Hz~55Hz Double amplitude 3.3mm	Item 4.28 of IEC 61810-7
Terminals Strength	5N	Item 4.24 of IEC 61810-7
Ambient Temperature	-30 $^{\circ}$ C~70 $^{\circ}$ C	
Relative Humidity	5% to 85%	Item 4.16 of IEC 61810-7
Mass	2.2g	Item 4.7 of IEC 61810-7

Safety Approvals

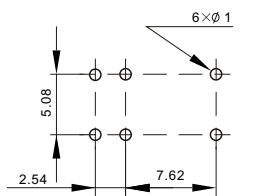
Safety approval	UL&CUR
Load	1A/30VDC; 0.5A/125VAC; 0.3A/60VDC

Dimensions

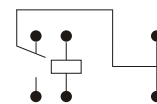
mm



Dimensions



Mounting (Bottom view)



Wiring diagram
(Bottom view)

CAUTION: 1. In case of no tolerance shown in outline dimension: outline dimension ≤ 1 mm, tolerance should be ± 0.2 mm; outline dimension > 1 mm and ≤ 5 mm, tolerance should be ± 0.3 mm; outline dimension > 5 mm, tolerance should be ± 0.4 mm.