

NT78



15.7×12.3×14

c  US E174722

Features

- Small size, light weight.
- Low coil consumption.
- PC board mounting.
- Suitable for household electrical appliances, automation system, electronic equipment, instrument, meter, telecommunication facilities and remote control facilities.

Ordering Information

NT78 **C** **S** **0.6** **DC12V**

1 2 3 4 5

1 Part number: NT78
 2 Contact arrangement: A:1A; B:1B; C:1C
 3 Enclosure: S: Wash tight
 NIL:Flux proof

4 Coil power: 0.6:0.6W; 0.8:0.8W
 5 Coil rated voltage(V): DC:6,9,12,24

Contact Data

Contact Arrangement	1A(SPSTNO) 1B(SPSTNC) 1C(SPDT(B-M))
Contact Material	AgSnO ₂
Contact Rating (Resistive)	NO:20A/14VDC 10A/120VAC,5A/250VAC IA:30A/14VDC NC:15A/14VDC,10A/120VAC,5A/250VAC
	Motor Load : 1/2HP 125VAC TV-5
Max. Switching Power	420W 1250VA
Max. Switching Voltage	30VDC 277VAC Max. Switching Current:30A
Voltage Drop(Initial)	Typ. 50mV(at 10A) Item 4.12 of IEC 61810-7
Operational Life	Electrical 1×10 ⁵ Item 4.30 of IEC 61810-7
	Mechanical 1×10 ⁷ Item 4.31 of IEC 61810-7

CAUTION: 1.For the intermediate current, it only applies to the room temperature.

Coil Parameter

Dash numbers	Coil voltage VDC		Coil resistance Ω ±10%	Pick-up voltage VDC(max) (80% of rated voltage)	Drop-out voltage VDC(min) (5% of rated voltage)	Coil power W	Operate time ms	Release time ms
	Rated	Max.						
006-600	6	6.6	60	4.8	0.30	0.6	≤10	≤5
009-600	9	9.9	135	7.2	0.45			
012-600	12	13.2	240	9.6	0.60			
024-600	24	26.4	960	19.2	1.20			
006-800	6	6.6	45	4.8	0.30	0.8	≤10	≤5
009-800	9	9.9	102	7.2	0.45			
012-800	12	13.2	180	9.6	0.60			
024-800	24	26.4	720	19.2	1.20			

CAUTION: 1.The use of any coil voltage less than the rated coil voltage will compromise the operation of the relay.
 2.Pickup and release voltage are for test purposes only and are not to be used as design criteria.

Characteristics

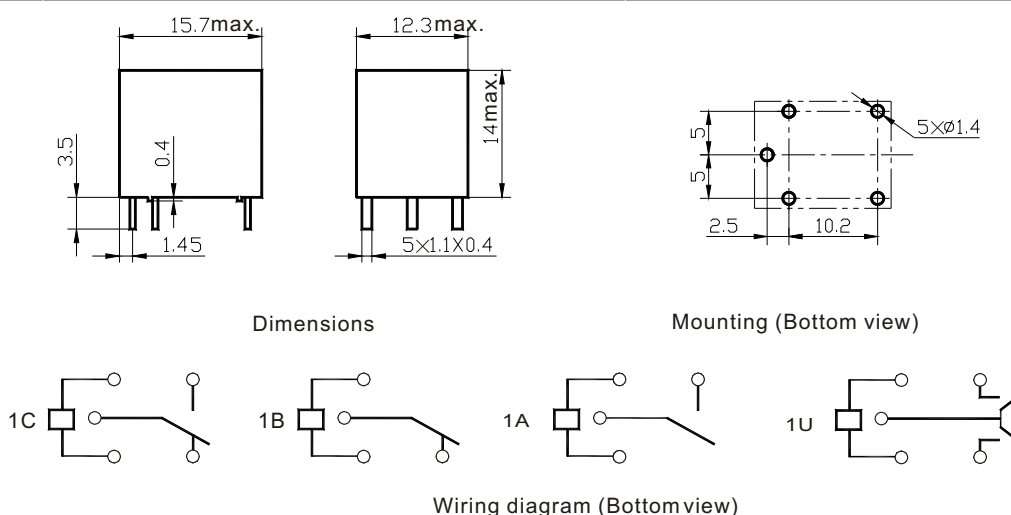
Insulation Resistance	100M Ω min (at 500VDC)	Item 4.11 of IEC 61810-7
Dielectric Strength Between Contacts Between Contact and Coil	50Hz 500V 50Hz 500V	Item 4.9 of IEC 61810-7 Item 4.9 of IEC 61810-7
Shock Resistance	98m/s ² 11ms	Item 4.26 of IEC 61810-7
Vibration Resistance	10Hz~55Hz Double amplitude 1.5mm	Item 4.28 of IEC 61810-7
Terminals Strength	10N	Item 4.24 of IEC 61810-7
Ambient Temperature	-40 $^{\circ}$ C~85 $^{\circ}$ C	
Relative Humidity	5% to 85%	Item 4.16 of IEC 61810-7
Mass	6g	Item 4.7 of IEC 61810-7

Safety Approvals

Safety approval	UL&CUR
Load	NO: 20A/14VDC 10A/120VAC NC: 10A/14VDC 1/2HP 125VAC TV-5

Dimensions

mm



CAUTION: In case of no tolerance shown in outline dimension: outline dimension \leq 1mm, tolerance should be \pm 0.2mm; outline dimension $>$ 1mm and \leq 5mm, tolerance should be \pm 0.3mm; outline dimension $>$ 5mm, tolerance should be \pm 0.4mm.

Reference Data

