

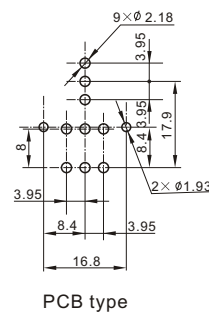
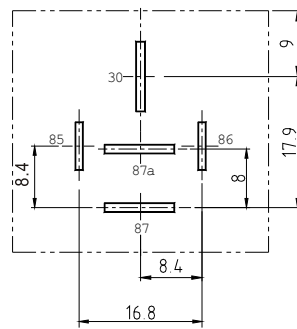
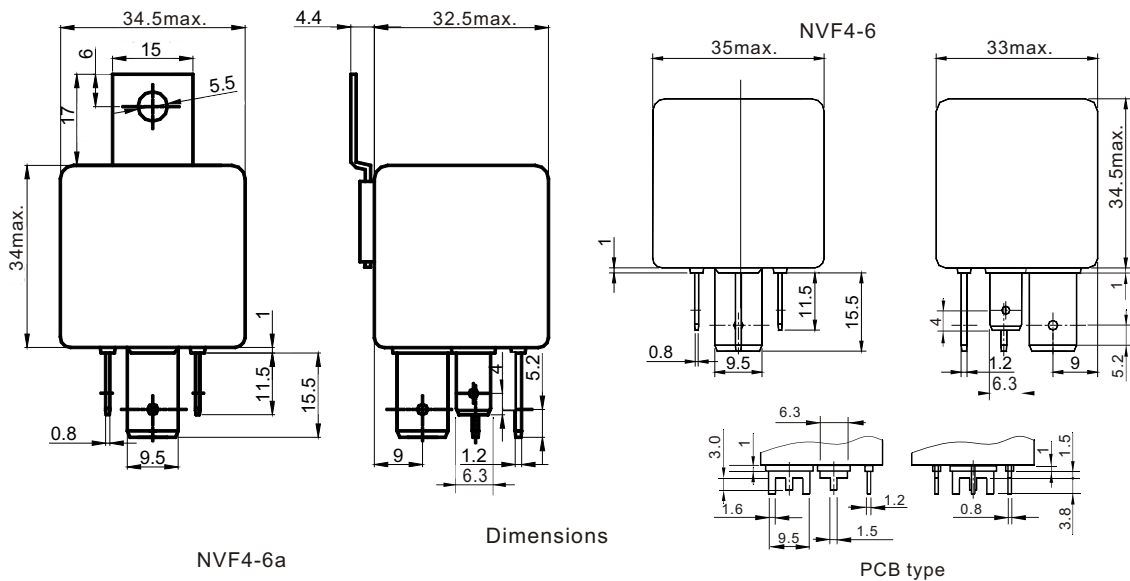
Characteristics

Insulation Resistance ¹⁾	100MΩ min (at 500VDC)	Item 4.11 of IEC 61810-7
Dielectric Strength ¹⁾ Between Contacts Between Contact and Coil	50Hz 750V 50Hz 1000V	Item 4.9 of IEC 61810-7 Item 4.9 of IEC 61810-7
Shock Resistance	147m/s ² 11ms	Item 4.26 of IEC 61810-7
Vibration Resistance	10Hz~40Hz Double amplitude 1.5mm	Item 4.28 of IEC 61810-7
Terminals Strength	Terminal retention(pull & push):≥100N Terminal resistance to bending(front & side):≥10N	Item 4.24 of IEC 61810-7
Ambient Temperature	-40℃~125℃	Item 4.11 of IEC 61810-7
Relative Humidity	5% to 85%	Item 4.16 of IEC 61810-7
Mass	65g	Item 4.7 of IEC 61810-7

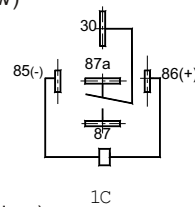
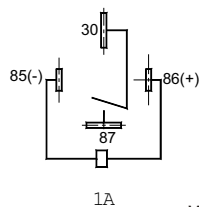
Note: 1). When testing, coil terminals should be connected, If coil transient suppression is installed in relay.

Dimensions

mm



Mounting (Bottom view)



Wiring diagram (Bottom view)

CAUTION: In case of no tolerance shown in outline dimension: outline dimension ≤1mm, tolerance should be ±0.2mm; outline dimension >1mm and ≤5mm, tolerance should be ±0.3mm; outline dimension >5mm, tolerance should be ±0.4mm.